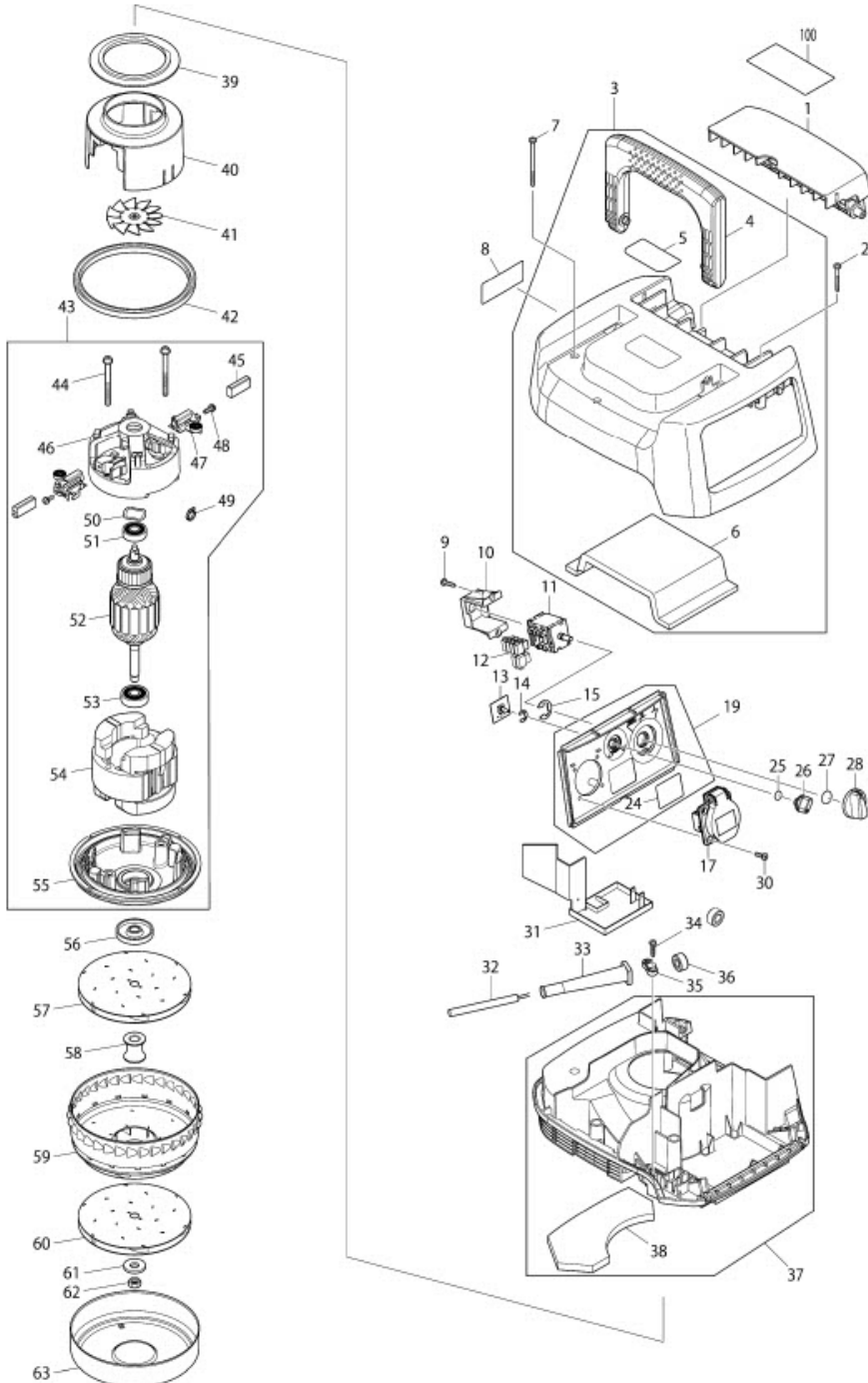
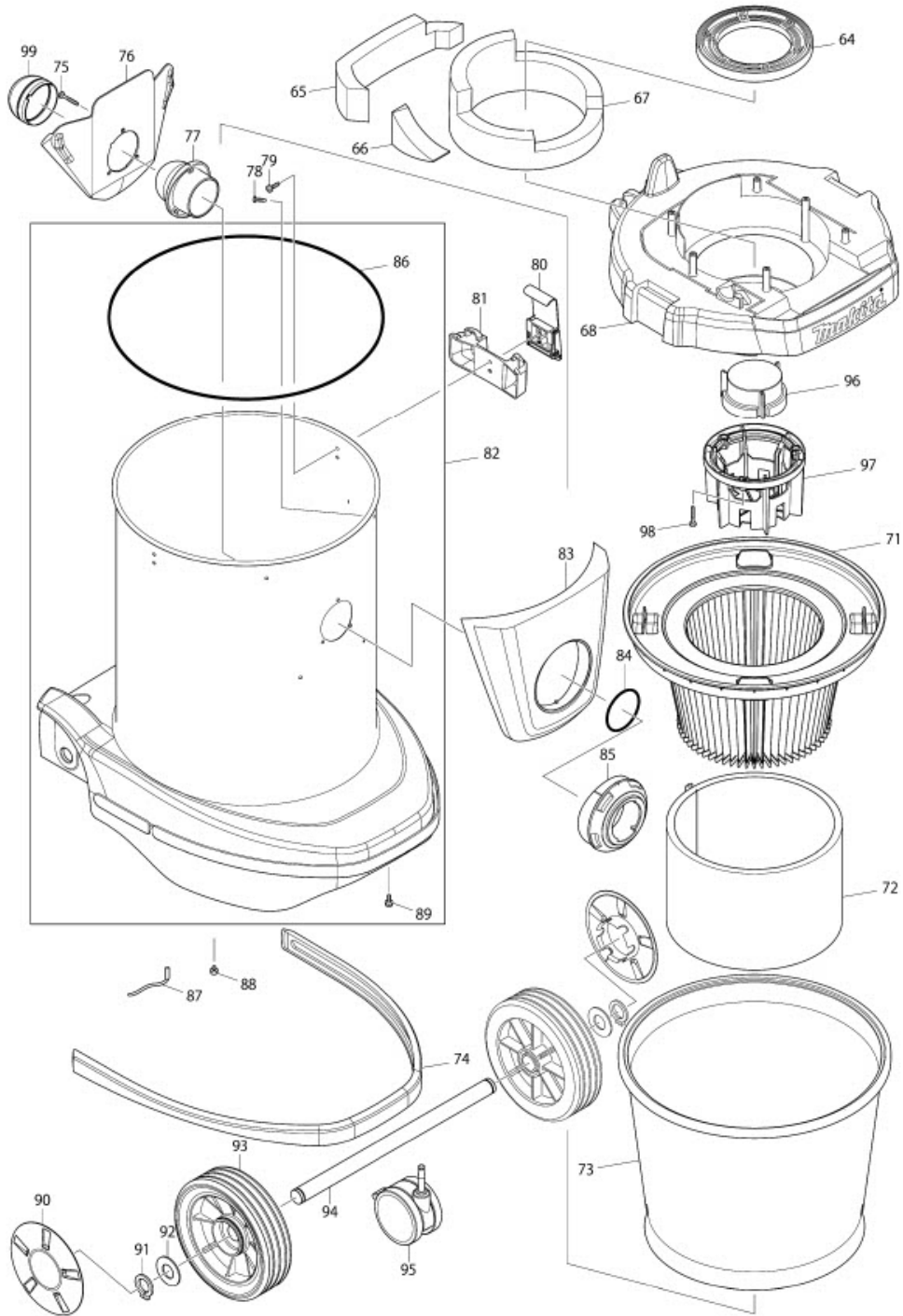


# Part Diagram

Model No.VC3210L VACUUM CLEANER



Model No.VC3210L VACUUM CLEANER



Item	Sub	Parts No.	Parts Description	Qty
1		452451-7	BASE HOOK	1
2		266053-1	TAPPING SCREW 4X35	3
3		140751-4	COWLING COMPLETE	1
3	D10		INC. 4-6	
4		451340-3	GRIP	1
5		891977-8	CAUTION LABEL	1
6		423393-2	TOP DAMPER	1
7		266060-4	TAPPING SCREW 4X65	3
8		869061-7	VC3210L NAME PLATE	1
9		265995-6	TAPPING SCREW 4X18	2
10		451343-7	SWITCH HOLDER	1
11		650659-9	SWITCH	1
12		686023-8	RECEPTACLE SLEEVE	6
13		631922-9	SUB CONTROLLER	1
14		961013-5	STOP RING E-7	1
15		961062-2	STOP RING E-12	1
017-1		655118-8	OUTLET	1
017-2		655124-3	OUTLET	1
017-3		655124-3	OUTLET	1
18		685740-7	RUBBER SHEET	1
019-1		140746-7	SWITCH BASE COMPLETE	1
019-1	D10		INC. 24	
019-2		140746-7	SWITCH BASE COMPLETE	1
019-2	D10		INC. 24	
024-1		893030-6	CAUTION LABEL	1
024-2		893030-6	CAUTION LABEL	1
25		213054-0	O RING 9	1
26		451344-5	SWITCH DIAL	1
27		213176-6	O RING 14	1
28		451342-9	SWITCH LEVER	1
30		266640-6	+COUNTERSUNK TAPPING SCREW4X25	4
31		620033-5	CONTROLLER	1
32		692450-9	POWER SUPPLY CORD 1.5-3-5.0	1
33		682575-7	CORD GUARD 12-90	1
34		265999-8	TAPPING SCREW 4X25	2
35		687149-9	STRAIN RELIEF	1
37		140254-8	SEPARATOR COMPLETE	1
37	D10		INC. 38	
38		423395-8	BOTTOM DAMPER	1
39		423279-0	SEAL RING 70	1
40		451338-0	MOTOR COVER	1
41		241512-6	FAN 62	1
42		424228-0	RUBBER RING 120	1
43		125876-5	MOTOR ASSEMBLY	1
43	C10	213406-5	O RING 30	1
43	D10		INC. 44-50,52,54,55	
44		911283-6	PAN HEAD SCREW M5X60	2
45		195483-8	CARBON BRUSH CB-173	1
46		452106-4	ENDBELL	1
47		643610-6	BRUSH HOLDER 6.5X13.5	2
48		911118-1	PAN HEAD SCREW M4X12	2
49		687010-0	BAND	1
50		267715-4	WAVE WASHER 20	1
51		211092-6	BALL BEARING 629DDW	1
52		517849-6	ARMATURE ASS'Y 240V	
52	D10		INC. 51,53	
53		211087-9	BALL BEARING 6200DDW	
54		526204-1	FIELD ASS'Y 240V	1

Item	Sub	Parts No.	Parts Description	Qty
54	C10	654304-8	RECEPTACLE	2
055-1		454480-6	BASE	1
56		316795-8	FLANGE	1
57		241910-4	FAN 125	1
58		325747-8	SPACER	1
59		346114-4	RETURN VANE	1
60		241910-4	FAN 125	1
61		316799-0	FLAT WASHER 10	1
62		931403-6	HEX. NUT M8	1
63		346115-2	FAN COVER	1
64		424229-8	SUPPORT RING	1
65		423396-6	REAR BLOCK FILTER	1
66		423399-0	SIDE BLOCK FILTER	1
67		423397-4	BAND DAMPER	1
68		451544-7	TANK COVER	1
71		195441-4	POWDER FILTER SET	1
72		424377-3	DAMPER	1
073-1		140312-0	PRE-FILTER COMPLETE	1
74		424270-1	BUMPER	1
75		266257-5	TAPPING SCREW 4X28	3
76		417587-9	HOLDER PLATE	1
77		451455-6	HOLDER	1
78		266192-7	TAPPING SCREW 4X14	4
79		266192-7	TAPPING SCREW 4X14	4
80		168537-4	HOOK	2
81		451545-5	HOOK SUPPORTER	2
82		188824-5	TANK SET	1
82	D10		INC. 86,89	
082-1		188824-5	TANK SET	1
082-1	D10		INC. 86,89	
082-2		183M91-5	TANK SET	1
082-2	D10		INC. 86,89	
83		451546-3	INLET COVER	1
84		213655-4	O RING 56	1
85		451454-8	INLET	1
86		424346-4	RUBBER RING T	1
87		649150-2	EARTH LINE 120	1
88		911103-4	PAN HEAD SCREW M4X6	1
89		911118-1	PAN HEAD SCREW M4X12	1
90		451643-5	WHEEL CAP	2
91		961060-6	RETAINING RING S-20	2
92		267299-2	FLAT WASHER 20	2
93		451642-7	CASTER 170	2
94		331888-0	JOINT PIPE 20-350	1
95		168547-1	CASTER 75	1
96		141019-1	FLOAT COMPLETE	1
96	C10	423365-7	SPONGE SEAL 70	1
97		452446-0	FLOAT CAGE	1
98		265999-8	TAPPING SCREW 4X25	3
99		424382-0	RUBBER HOLDER	1
A01-1		195433-3	HOSE COMPLETE 28-3.5 SET	1
A01-1	C20	417191-4	CUFF LOCK	1
A01-1	C30	417586-1	STOPPER	1
A01-1	C40	417662-1	SLEEVE	1
A01-1	C50	417766-9	FRONT CUFF 38	1
A01-1	D10		INC. A02,A03	
A02		417765-1	FRONT CUFF 22	1
A03		424379-9	FRONT CUFF 24	1
A04		417764-3	HOLDER 10-33	4

Item	Sub	Parts No.	Parts Description	Qty
A05		195440-6	POLY BAG SET(800X650)	1