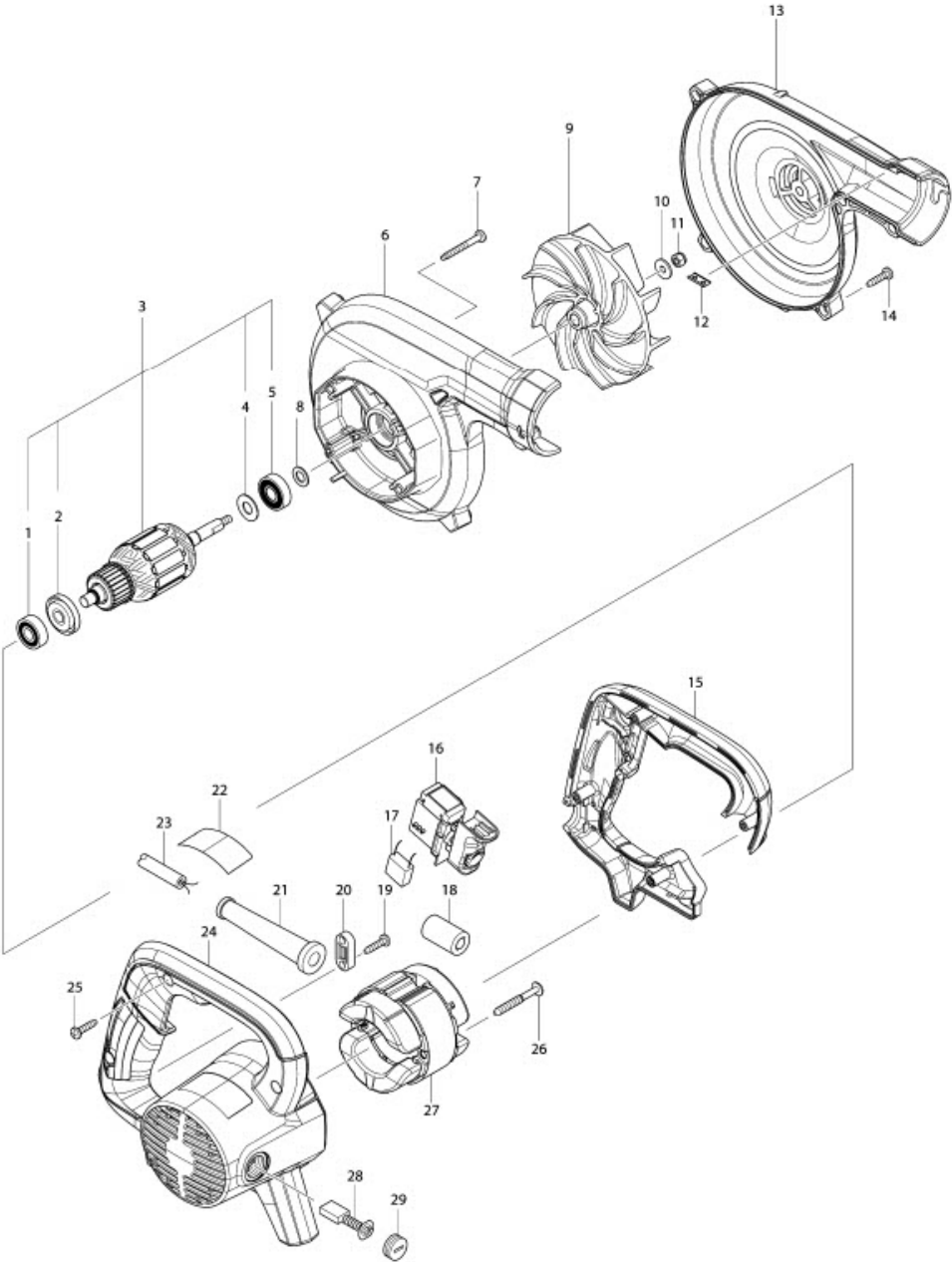


# Part Diagram

Model No.UB1103 BLOWER



Item	Sub	Parts No.	Parts Description	Qty
1		210044-4	BALL BEARING 608DDW	1
2		681644-1	INSULATION WASHER	1
3		513904-2	ARMATURE ASS'Y 240V	1
3	D10		INC. 1,2,4,5	
4		267237-4	FLAT WASHER 9	1
5		211491-2	BALL BEARING 609DDW	1
6		142292-6	FAN HOUSING COMPLETE	1
006-1		183K68-8	FAN HOUSING SET	1
7		266351-3	TAPPING SCREW 4X35	4
8		267240-5	FLAT WASHER 8	1
9		240148-8	FAN 110	1
10		267294-2	FLAT WASHER 5	1
11		252103-8	HEX. LOCK NUT M5-8	1
011-1		252286-4	COLLARED HEX.LOCK NUT M5-8	1
12		345998-7	SET PLATE	1
13		454702-4	FAN COVER	1
14		266326-2	TAPPING SCREW 4X18	5
15		454700-8	HANDLE COVER	1
16		651298-8	SWITCH TG813AB-1	1
19		266326-2	TAPPING SCREW 4X18	2
20		687123-7	STRAIN RELIEF	1
21		682569-2	CORD GUARD 8-85	1
22		815D55-4	UB1103 NAME PLATE	1
23		692021-2	POWER SUPPLY CORD 1.0-2-2.5	1
24		142291-8	MOTOR HOUSING COMPLETE	1
24	C10	643708-9	BRUSH HOLDER 5-11	2
25		266326-2	TAPPING SCREW 4X18	4
26		266211-9	TAPPING SCREW 5X40	2
27		594634-4	FIELD ASS'Y 240V	1
27	C10	654020-2	RING TERMINAL	2
27	C20	654501-6	CONNECTOR P-1.25	2
027-1		594709-9	FIELD ASS'Y 240V	1
027-1	C10	654020-2	RING TERMINAL	2
027-1	C20	654501-6	CONNECTOR P-1.25	2
28		191963-2	CARBON BRUSH CB-303	1
29		643750-0	BRUSH HOLDER CAP 7-11	2
A01		123245-4	NOZZLE ASS'Y	1
A01	C10	454703-2	JOINT	1
A02		123241-2	DUST BAG ASSEMBLY	1
A02	C10	410602-8	FASTENER	1