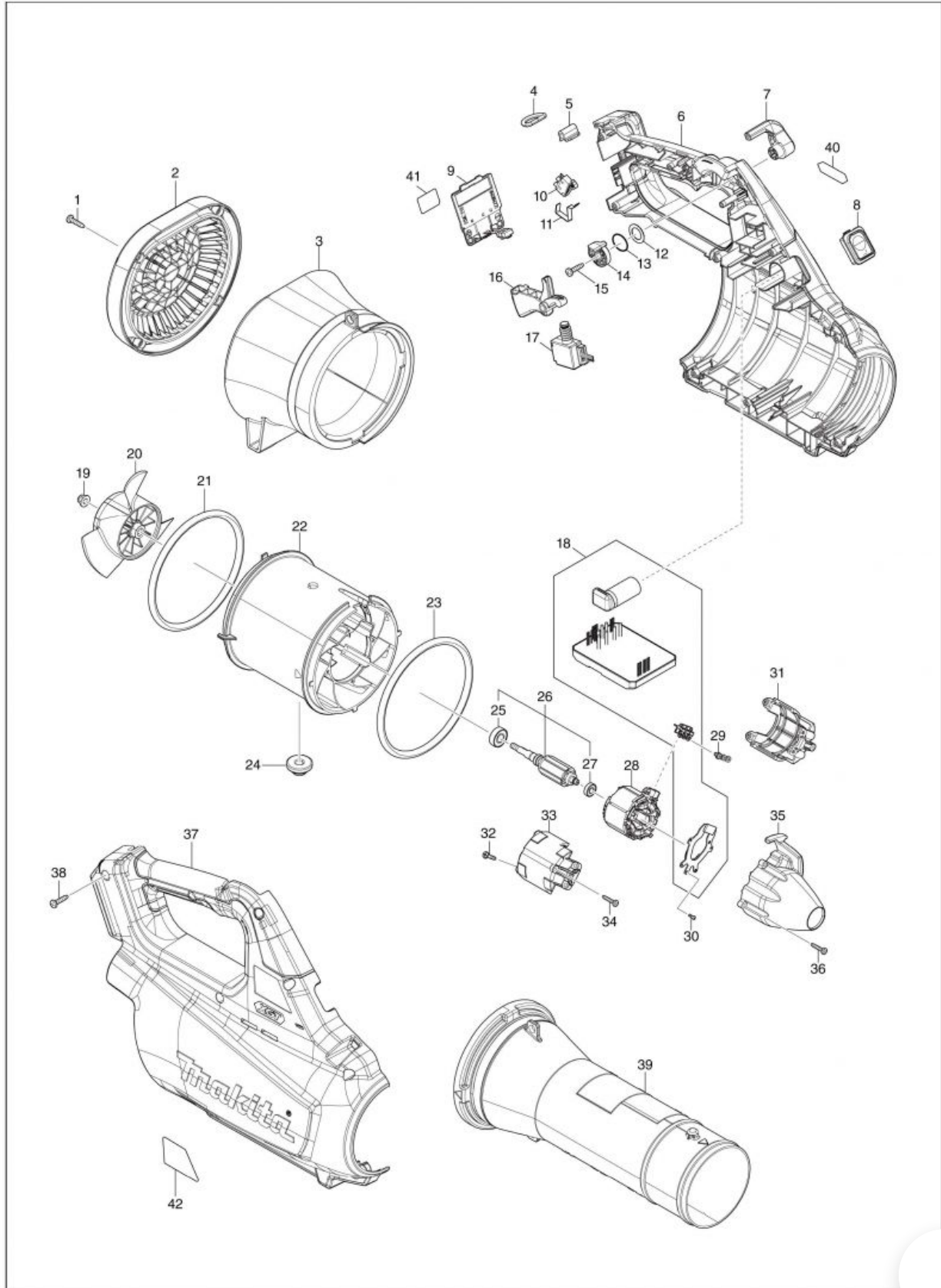


Part Diagram

(MY) UB001G / CORDLESS BLOWER



Item	Sub	Parts No.	Parts Description	Qty
001		266326-2	TAPPING SCREW 4X18	4
002		413368-9	REAR COVER	1
003		140Y68-5	REAR HOUSING COMPLETE	1
	C10	422668-6	SPONGE	4
003-1		122C63-5	REAR HOUSING ASSEMBLY	1
	C10	422668-6	SPONGE	4
	D10		INC. 1	
004		327742-4	D RING 20	1
005		347783-4	RING SUPPORT	1
006		183T07-2	HOUSING SET	1
	C10	263005-3	RUBBER PIN 6	2
	C20	8011Y4-4	CAUTION LABEL	1
	D10		INC. 37	
007		412755-9	CONTROL LEVER	1
008		140X08-7	SWITCH CIRCUIT COMPLETE	1
	C10	810D46-0	SWITCH LABEL	1
009		632P65-6	TERMINAL UNIT	1
010		632L48-2	SWITCH UNIT	1
011		232634-3	LEAF SPRING	1
012		253798-0	FLAT WASHER 13	1
013		213154-6	O RING 14	1
014		412754-1	LINK	1
015		266326-2	TAPPING SCREW 4X18	1
016		412756-7	SWITCH LEVER	1
017		651496-4	SWITCH C3JR-1AT-PAXD3	1
018		620E14-9	CONTROLLER	1
019		252286-4	COLLARED HEX.LOCK NUT M5-8	1
020		240177-1	FAN 110	1
021		424721-4	RUBBER RING 115	1
022		413366-3	FAN HOUSING	1
023		424721-4	RUBBER RING 115	1
024		424194-1	RUBBER RING 8	1
025		210040-2	BALL BEARING 698LLU	1
026		519580-0	ROTOR ASS'Y	1
	D10		INC. 25,27	
027		211157-4	BALL BEARING 695ZZ	1
028		629A49-3	STATOR	1
029		652069-6	FLAT HEAD SCREW M3X6	3
030		266490-9	TAPPING SCREW PT 2X6	3
031		183M64-8	MOTOR HOUSING SET	1
	D10		INC. 33	
032		266130-9	TAPPING SCREW BIND PT 3X16	4
033		183M64-8	MOTOR HOUSING SET	1
	D10		INC. 31	
034		266130-9	TAPPING SCREW BIND PT 3X16	2
035		413365-5	CAP	1
036		266130-9	TAPPING SCREW BIND PT 3X16	4
037		183T07-2	HOUSING SET	1
	C10	263005-3	RUBBER PIN 6	2
	C20	8011Y4-4	CAUTION LABEL	1
	D10		INC. 6	
038		266326-2	TAPPING SCREW 4X18	10
039		413367-1	FRONT PIPE	1
040		8030S0-0	XGT LOGO LABEL	1
041		811D71-4	UB001G SERIAL NO. LABEL	1
042		811D64-1	UB001G NAME PLATE	1
A01		166094-6	SHOULDER BELT	1
A02		412758-3	END NOZZLE 80	1

Item	Sub	Parts No.	Parts Description	Qty
A02-1		191P97-7	END NOZZLE 80 SET	1
A03		191L96-5	ADAPTER PIPE 85-72 SET	1
A04		183P97-1	EXTENSION NOZZLE SET	1
A04-1		197888-8	EXTENSION NOZZLE SET	1
A05		183P98-9	FLAT NOZZLE SET	1
A05-1		197889-6	FLAT NOZZLE SET	1
A06B		***DC40RA	DC40RA FAST CHARGER	1
	D10		COMPO-PARTS	
A07B		412393-7	BATTERY COVER	1
A08B		191B26-6	BATTERY BL4040 SET	1