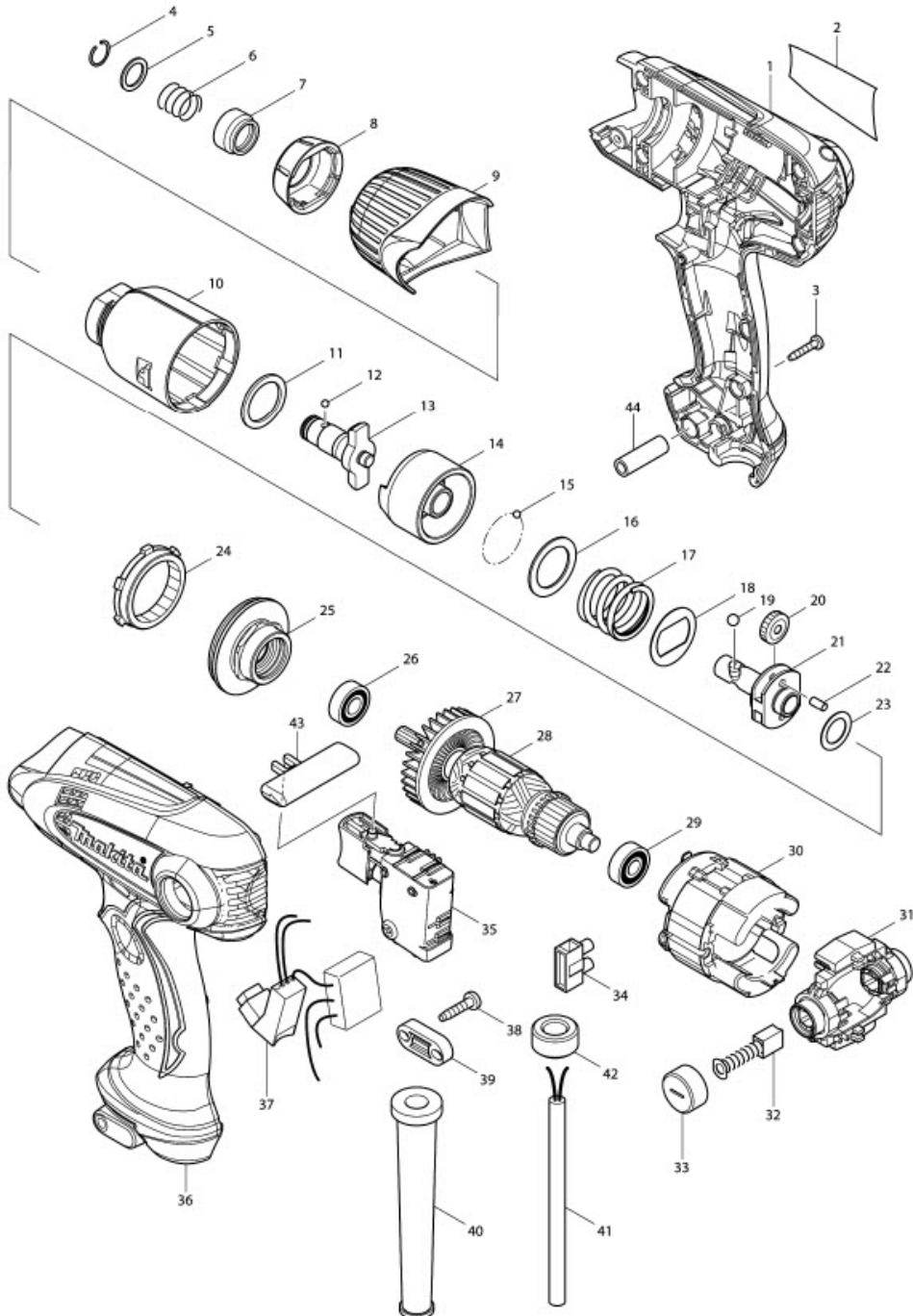


# Part Diagram

Model No.TD0101F IMPACT DRIVER



Item	Sub	Parts No.	Parts Description	Qty
1		188664-1	HOUSING SET	1
1	C10	263002-9	RUBBER PIN 4	4
1	D10		INC. 36	
2		866417-5	TD0101F NAME PLATE	1
3		266429-2	TAPPING SCREW 3X16	8
4		231965-7	RING SPRING 10	1
5		267143-3	FLAT WASHER 11	1
6		233005-7	COMPRESSION SPRING 13	1
7		324711-6	BIT SLEEVE	1
8		424184-4	BUMPER	1
008-1		424376-5	BUMPER	1
9		450976-5	HAMMER CASE COVER	1
009-1		452440-2	HAMMER CASE COVER	1
10		158898-0	HAMMER CASE COMPLETE	1
10	C10	213166-9	O RING 12.5	1
10	C20	253798-0	FLAT WASHER 13	1
10	C30	257776-2	SLEEVE 12	1
11		261140-1	NYLON WASHER 20	1
12		216019-1	STEEL BALL 3	2
13		325618-9	ANVIL N	1
013-1		326629-7	ANVIL N	1
14		324894-2	HAMMER	1
15		216019-1	STEEL BALL 3	24
16		267380-9	FLAT WASHER 20	1
17		234096-1	COMPRESSION SPRING 21	1
18		267813-4	WASHER 21	1
19		216002-8	STEEL BALL 4.8	2
20		227213-0	SPUR GEAR 17	2
21		324897-6	SPINDLE	1
22		268217-3	PIN 3.5	2
23		253052-2	FLAT WASHER 12	1
24		227215-6	INTERNAL GEAR 43	1
25		158899-8	BEARING BOX COMPLETE	1
25	C10	210112-3	BALL BEARING 6801LLB	1
25	C11	210242-0	BALL BEARING 6801LLB	1
25	C20	213325-5	O RING 19	1
26		210013-5	BALL BEARING 698VV	1
27		240046-6	FAN 46	1
28		517654-1	ARMATURE ASSY 240V	1
28	D10		INC. 26,27,29	
29		210062-2	BALL BEARING 607ZZ	1
30		635109-5	FIELD 240V	1
31		638643-4	HOLDER ARM COMPLETE	1
31	C10	643981-1	BRUSH HOLDER 6X9	2
32		191940-4	CARBON BRUSH CB-411	1
33		643928-5	BRUSH HOLDER CAP	2
35		650613-3	SWITCH C3TA	1
36		188664-1	HOUSING SET	1
36	C10	263002-9	RUBBER PIN 4	4
36	D10		INC. 1	
37		631873-6	LIGHT CIRCUIT	1
38		266326-2	TAPPING SCREW 4X18	2
39		687124-5	STRAIN RELIEF	1
40		682566-8	CORD GUARD 10	1
41		692527-0	POWER SUPPLY CORD 1.0-2-2.5	1
43		419250-0	F/R CHANGE LEVER	
44		262560-2	SLEEVE 5	
A01		784203-1	PHILLIPS BIT 2-65	1

Item	Sub	Parts No.	Parts Description	Qty
A01-1		784203-1	PHILLIPS BIT 2-65	1