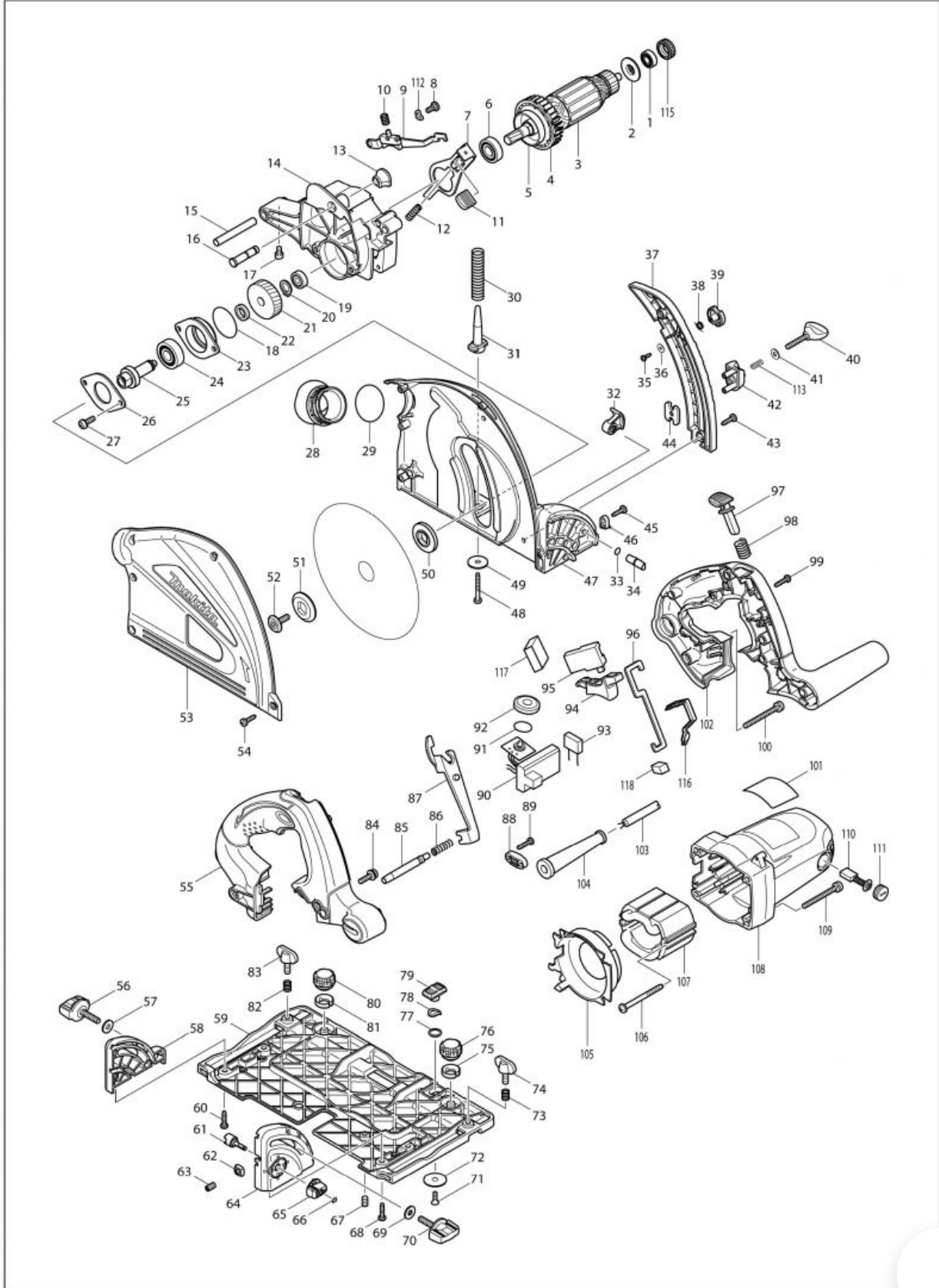


# Part Diagram

(MY) SP6000 / PLUNGE CUT CIRCULAR SAW 165MM



Item	Sub	Parts No.	Parts Description	Qty
001		210013-5	BALL BEARING 698VV	1
002		681634-4	INSULATION WASHER	1
003		513678-5	ARMATURE ASS'Y 220-240V	1
	D10		INC. 1,2,4-6	
004		240091-1	FAN 60	1
005		345767-6	DRUM	1
006		211131-2	BALL BEARING 6001DDW	1
007		345742-2	SHAFT LOCK	1
008		265011-4	+ BINDING HEAD SCREW M5	1
009		158096-6	SHOE COMPLETE	1
010		233480-7	COMPRESSION SPRING 7	1
011		286275-7	CAP	1
011-1		286039-9	CAP	1
012		233084-5	COMPRESSION SPRING 6	1
013		286278-1	CAP	1
013-1		286040-4	CAP	1
014		158092-4	GEAR HOUSING COMPLETE	1
	C10	263002-9	RUBBER PIN 4	1
014-1		144586-5	GEAR HOUSING COMPLETE	1
	C10	263002-9	RUBBER PIN 4	1
015		324716-6	PIN 8	1
015-1		326960-1	PIN 8	1
015-2		324716-6	PIN 8	1
015-3		327B66-0	PIN 8	1
016		324708-5	STOPPER PIN 8	1
017		265913-4	HEX. SOCKET HEAD BOLT M5X8	1
017-1		265907-9	HEX. SOCKET HEAD BOLT M5X10	1
018		213512-6	O RING 39	1
019		211021-9	BALL BEARING 607LLB	1
020		961052-5	RETAINING RING (EXT) S-12	1
021		226637-7	HELICAL GEAR 39	1
022		257010-0	RING 12	1
023		318088-9	BEARING BOX	1
024		211129-9	BALL BEARING 6201DDW	1
025		324707-7	SPINDLE	1
026		285689-7	BEARING RETAINER 55	1
027		911221-8	PAN HEAD SCREW M5X16	2
028		419620-3	DUST NOZZLE	1
029		213460-9	O RING 35	1
030		233479-2	COMPRESSION SPRING 11	1
031		419624-5	SPRING HOLDER	1
032		158095-8	LEVER 20 COMPLETE	1
	C10	263002-9	RUBBER PIN 4	1
032-1		144867-7	LEVER 20 COMPLETE	1
	C10	263002-9	RUBBER PIN 4	1
033		213021-5	O RING 5	1
034		324710-8	PIN 8	1
035		266007-8	TAPPING SCREW BIND PT 3X10	1
036		253821-1	FLAT WASHER 3	1
037		419625-3	DEPTH GUIDE	1
037-1		457756-0	DEPTH GUIDE	1
038		231665-9	TORSION SPRING 7	1
039		419630-0	LOCK LEVER	1
040		251867-1	THUMB SCREW M5X30	1
041		941101-4	FLAT WASHER 5	1
042		419623-7	STOPPER BLOCK	1
043		266034-5	TAPPING SCREW CT 4X16	1
044		345744-8	NUT PLATE	1

Item	Sub	Parts No.	Parts Description	Qty
045		266034-5	TAPPING SCREW CT 4X16	1
046		419632-6	POSITION PLATE	1
047-1		158547-9	BLADE CASE COMPLETE	1
	C10	233025-1	COMPRESSION SPRING 2	2
	C20	253874-0	FLAT WASHER 4	2
	C30	259008-3	PUSH NUT 4	2
	C40	286277-3	CAP 14	2
	C50	345747-2	SPACER PLATE	2
047-2		144868-5	BLADE CASE COMPLETE	1
	C10	233025-1	COMPRESSION SPRING 2	2
	C20	253874-0	FLAT WASHER 4	2
	C30	259008-3	PUSH NUT 4	2
	C40	286277-3	CAP 14	2
	C41	286041-2	CAP 14	2
	C50	345747-2	SPACER PLATE	2
047-3		140D56-6	BLADE CASE COMPLETE	1
	C10	233025-1	COMPRESSION SPRING 2	2
	C20	253874-0	FLAT WASHER 4	2
	C21	347392-9	PLATE	2
	C30	259008-3	PUSH NUT 4	2
	C41	286041-2	CAP 14	2
	C50	345747-2	SPACER PLATE	2
048		266053-1	TAPPING SCREW 4X35	1
049		253010-8	FLAT WASHER 6	1
050		224406-0	INNER FLANGE 35	1
050-1		224593-5	INNER FLANGE 35	1
051		224405-2	OUTER FLANGE 35	1
051-1		224409-4	OUTER FLANGE 35	1
052		266403-0	HEX. SOCKET HEAD BOLT M6	1
053		318084-7	BLADE CASE COVER	1
053-1		319709-6	BLADE CASE COVER	1
054		266034-5	TAPPING SCREW CT 4X16	5
055		188197-6	HANDLE SET	1
	D10		INC. 102	
056		265776-8	THUMB SCREW M6X26	1
057		253111-2	FLAT WASHER 6	1
058		419596-4	REAR ANGULAR GUIDE	1
059-1		318179-6	BASE	1
060		265995-6	TAPPING SCREW 4X18	2
061		324731-0	STOPPER PIN	1
062		252157-5	SQUARE NUT M6	1
063		266085-8	H.S.SET SCREW(FLAT POINT)M6X10	1
063-1		266225-8	H.S.SET SCREW(FLAT POINT)M6X8	1
064		419595-6	FRONT ANGULAR GUIDE	1
064-1		413A11-6	FRONT ANGULAR GUIDE	1
065		419571-0	DIAL 22	1
065-1		457963-5	DIAL 22	1
066		961017-7	STOP RING E-3	1
067-1		266085-8	H.S.SET SCREW(FLAT POINT)M6X10	2
067-2		266225-8	H.S.SET SCREW(FLAT POINT)M6X8	2
068		265995-6	TAPPING SCREW 4X18	2
069		253111-2	FLAT WASHER 6	1
070		265776-8	THUMB SCREW M6X26	1
071		912112-6	COUNTERSUNK HEAD SCREW M4X10	1
072		345748-0	LOCK WASHER	1
073		231316-4	COMPRESSION SPRING 7	1
074		265701-9	THUMB SCREW M6X14	1
075		419627-9	HOLDER	1
076		265775-0	THUMB SCREW M4X3	1

Item	Sub	Parts No.	Parts Description	Qty
077-1		345977-5	PLATE	1
078		253932-2	WAVE WASHER 10	1
079		419621-1	SLIDE LEVER	1
079-1		458092-7	SLIDE LEVER	1
080		265775-0	THUMB SCREW M4X3	1
081		419627-9	HOLDER	1
082		231316-4	COMPRESSION SPRING 7	1
083		265701-9	THUMB SCREW M6X14	1
084		922232-8	HEX. SOCKET HEAD BOLT M5X20	1
085		324709-3	LOCK PIN 8	1
086		233267-7	COMPRESSION SPRING 7	1
087		419631-8	LOCK PLATE	1
088		687052-4	STRAIN RELIEF	1
088-1		687124-5	STRAIN RELIEF	1
089		265995-6	TAPPING SCREW 4X18	2
090		631729-3	CONTROLLER	1
091		213261-5	O RING 17	1
092		418905-4	DIAL	1
094		419622-9	SWITCH LEVER	1
095		651922-3	SWITCH TG71B	1
096		345745-6	LINK PLATE	1
097		419629-5	LOCK OFF BUTTON	1
098		233089-5	COMPRESSION SPRING 12	1
099		265995-6	TAPPING SCREW 4X18	6
100		911273-9	PAN HEAD SCREW M5X50	1
101-1		862913-1	SP6000 NAME PLATE	1
101-2		862913-1	SP6000 NAME PLATE	1
101-3		862913-1	SP6000 NAME PLATE	1
102		188197-6	HANDLE SET	1
	D10		INC. 55	
103		692527-0	POWER SUPPLY CORD 1.0-2-2.5	1
104		682540-6	CORD GUARD 9.3-90	1
105		419626-1	BAFFLE PLATE	1
106		266044-2	TAPPING SCREW 5X60	2
107		525743-8	FIELD ASS'Y 220-240V	1
	C10	654020-2	RING TERMINAL	2
	C20	654501-6	CONNECTOR P-1.25	2
	C21	654485-8	PARALLEL SPLICE	2
108		158094-0	MOTOR HOUSING COMPLETE	1
	C10	643708-9	BRUSH HOLDER 5-11	2
109		911273-9	PAN HEAD SCREW M5X50	4
110		191963-2	CARBON BRUSH CB-303	1
111		643750-0	BRUSH HOLDER CAP 7-11	2
112		267781-1	WAVE WASHER 7	1
113		231372-4	COMPRESSION SPRING 5	1
115		421479-6	RUBBER RING 19	1
116		424047-4	PACKING	1
117		424050-5	SPONGE	1
118		443137-4	FELT	1
122		213045-1	O-RING 6	2
A01		B-07353	TCT SAW BLADE 165X20X48T	1
A02		783203-8	HEX. WRENCH 5	1
A03		821552-6	CONNECTOR PLASTIC CASE (TYPE4)	1
	C10	453974-8	LATCH	4
A04-1		805K60-1	SP6000J INDICATION LABEL	1
A04-2		813J46-5	SP6000J INDICATION LABEL	1
A04-3		805K60-1	SP6000J INDICATION LABEL	1
A05		800V03-4	SP6000J PLASTIC CASE LABEL	1
A05-1		813J49-9	SP6000J PLASTIC CASE LABEL	2

Item	Sub	Parts No.	Parts Description	Qty
A05-2		813J47-3	SP6000J PLASTIC CASE LABEL	2
A07-1		837945-7	INNER TRAY	1
A07-2		838390-9	INNER TRAY	1