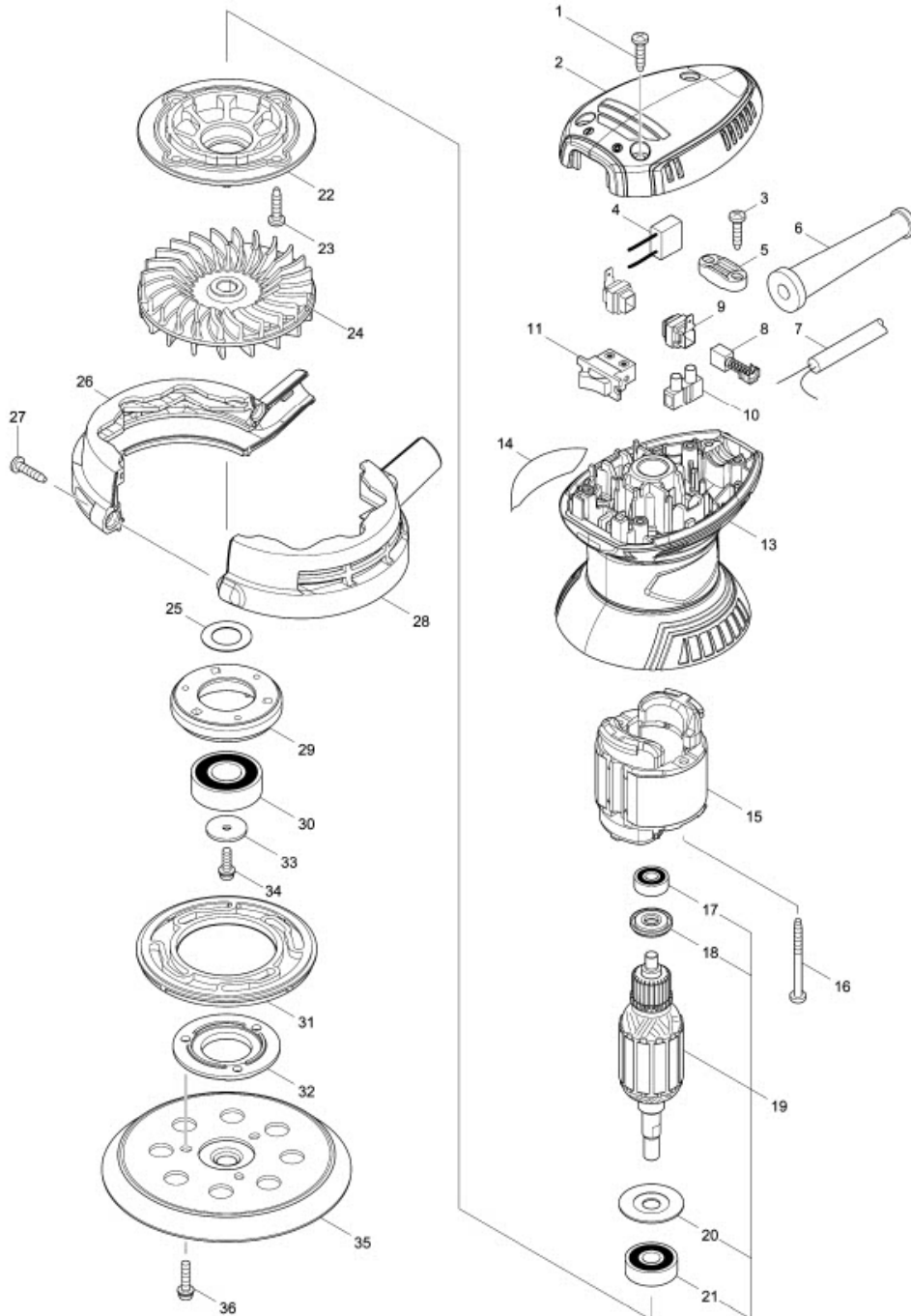


Part Diagram

Model No.M9204 125MM RANDOM ORBIT SANDER



Item	Sub	Parts No.	Parts Description	Qty
1		266326-2	TAPPING SCREW 4X18	3
002A		452782-4	TOP COVER	1
002B		456564-6	TOP COVER	1
3		266326-2	TAPPING SCREW 4X18	2
5		687123-7	STRAIN RELIEF	1
6		682569-2	CORD GUARD 8-85	1
7		692006-8	POWER SUPPLY CORD 1.0-2-2.0	1
8		191962-4	CARBON BRUSH CB-419	1
9		643995-0	BRUSH HOLDER	2
10		654532-5	TERMINAL BLOCK 1P	1
11		651527-9	SWITCH	1
013A		456562-0	MOTOR HOUSING	1
013B		456563-8	MOTOR HOUSING	1
14		852B84-4	M9204 NAME PLATE	1
15		633688-7	FIELD 220-240V	1
16		266425-0	TAPPING SCREW 4X45	2
17		210028-2	BALL BEARING 606ZZ	1
18		681675-0	INSULATION WASHER	1
19		510251-2	ARMATURE ASS'Y 220-240V	1
19	D10		INC. 17,18,20,21	
20		267806-1	WASHER 9	1
21		211092-6	BALL BEARING 629DDW	1
22		450672-5	BRACKET	1
23		266326-2	TAPPING SCREW 4X18	4
24		241673-2	FAN 88	1
25		267164-5	FLAT WASHER 15	1
026A		187060-0	SKIRT SET	1
26	D10		INC. 28	
026B		183D06-8	SKIRT SET	1
026-1A		183S20-4	SKIRT SET	1
026-1	D10		INC. 28	
026-1B		183S22-0	SKIRT SET	1
27		266326-2	TAPPING SCREW 4X18	2
028A		187060-0	SKIRT SET	1
28	D10		INC. 26	
028B		183D06-8	SKIRT SET	1
028-1A		183S20-4	SKIRT SET	1
028-1	D10		INC. 26	
028-1B		183S22-0	SKIRT SET	1
29		318304-9	BEARING BOX	1
30		211228-7	BALL BEARING 6202DDW	1
31		424131-5	BRAKE RING	1
32		318303-1	BEARING BOX COVER	1
33		253739-6	FLAT WASHER 4	1
34		265099-4	PAN HEAD SCREW M4X14	1
35		743081-8	PAD 123	1
36		265112-8	+PAN HEAD SCREW M4X18	3
A01		161431-9	DUST BAG	1
A01-1		136402-5	DUST BAG ASSY	1
A01-1	C10	161431-9	DUST BAG	1
A01-1	D10		INC. A02-A04	
A02		257202-1	RING 25	1
A03		416063-0	DUST BAG NOZZLE	1
A04		416064-8	DUST NOZZLE	1
A05		794544-7	ABRASIVE DISC 125 #120	1

