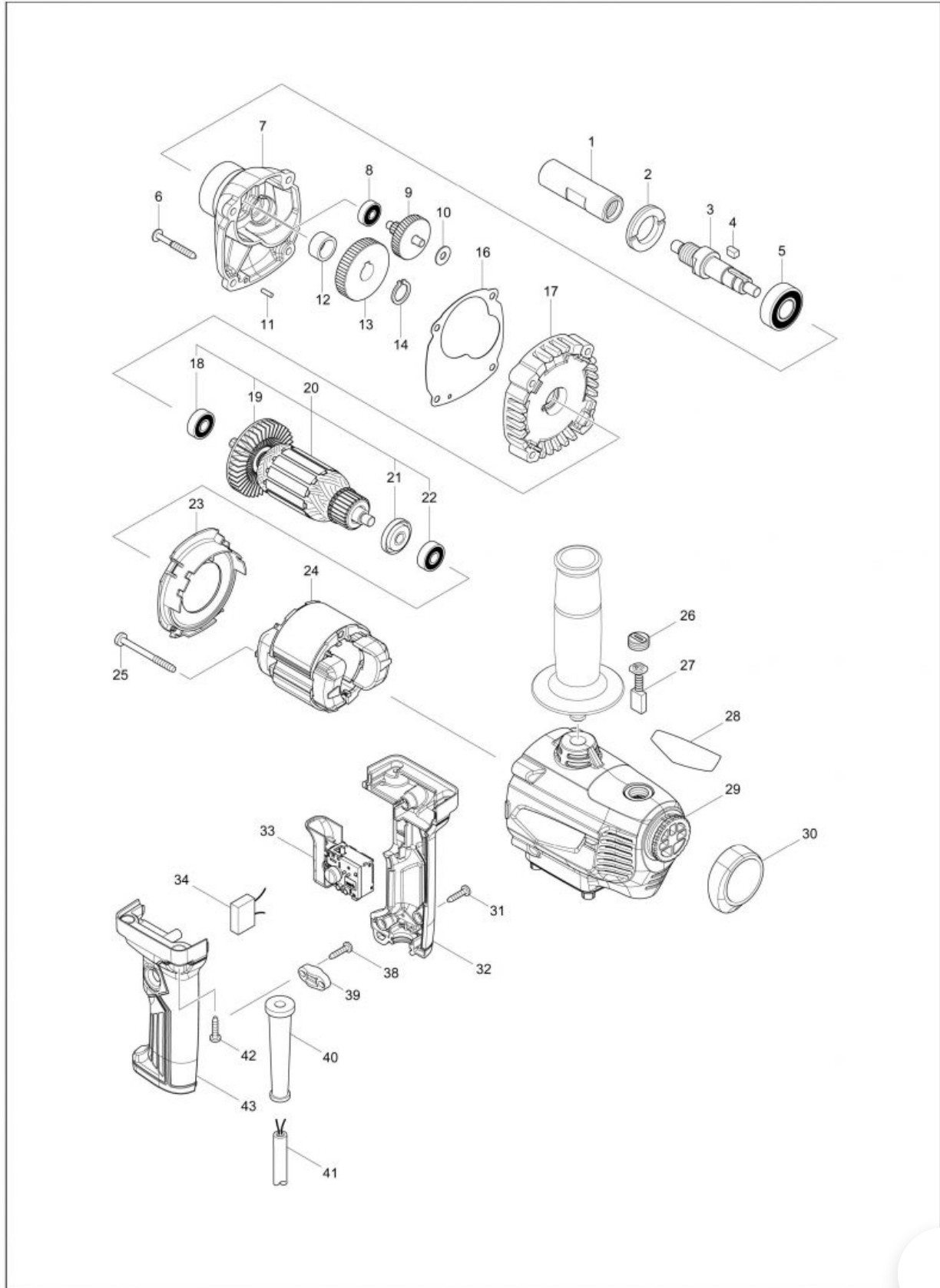


Part Diagram

(MY) M6600 / MIXER



Item	Sub	Parts No.	Parts Description	Qty
001		323962-8	SHAFT HOLDER 1/2-M12	1
001-1		323962-8	SHAFT HOLDER 1/2-M12	1
002		285848-3	BEARING RETAINER 23-36	1
003		326600-1	SPINDLE	1
004		254211-1	KEY 5	1
005		211487-3	BALL BEARING 6202DDW	1
006		266211-9	TAPPING SCREW 5X40	4
007		142841-9	GEAR HOUSING COMPLETE	1
	C10	263002-9	RUBBER PIN 4	1
008		211499-6	BALL BEARING 626ZZ	1
009		226028-2	GEAR COMPLETE 7-41	1
010		253804-1	FLAT WASHER 6	1
011		256180-2	PIN 3	1
012		257018-4	RING 15	1
012-1		257018-4	RING 15	1
013		221261-1	SPUR GEAR 47	1
014		961054-1	RETAINING RING S-14	1
016		442207-6	GASKET	1
017		142840-1	GEAR HOUSING COVER COMPLETE	1
	C10	263002-9	RUBBER PIN 4	1
018		210029-0	BALL BEARING 608ZZ	1
019		241850-6	FAN 60	1
020		513914-9	ARMATURE ASS'Y 240V	1
	D10		INC. 18,19,21,22	
021		681644-1	INSULATION WASHER	1
022		210029-0	BALL BEARING 608ZZ	1
023		455343-9	BAFFLE PLATE	1
024		594654-8	FIELD ASS'Y 240V	1
	C20	654501-6	CONNECTOR P-1.25	2
	C21	654485-8	PARALLEL SPLICE	2
	C20	654501-6	CONNECTOR P-1.25	2
	C21	654485-8	PARALLEL SPLICE	2
	C21	654485-8	PARALLEL SPLICE	2
	C10	654020-2	RING TERMINAL	2
025		266418-7	TAPPING SCREW 5X55	2
026A		644500-6	HOLDER CAP 7X11	2
026B		644500-6	HOLDER CAP 7X11	2
026-1A		643750-0	BRUSH HOLDER CAP 7-11	2
026-1B		643750-0	BRUSH HOLDER CAP 7-11	2
026-1C		643750-0	BRUSH HOLDER CAP 7-11	2
027		191963-2	CARBON BRUSH CB-303	1
028		850V85-6	M6600 NAME PLATE	1
029A		143148-6	MOTOR HOUSING COMPLETE	1
029B		143148-6	MOTOR HOUSING COMPLETE	1
029C		143260-2	MOTOR HOUSING COMPLETE	1
	C10	644501-4	BRUSH HOLDER 5X11	2
030		424654-3	CAP	1
031		266326-2	TAPPING SCREW 4X18	3
032A		187946-8	SWITCH HANDLE SET	1
	D10		INC. 43	
032B		187946-8	SWITCH HANDLE SET	1
	D10		INC. 43	
032-1C		183B04-0	SWITCH HANDLE SET	1
	D10		INC. 43	
033		650714-7	SWITCH TN04-6/1BEK	1
038		266326-2	TAPPING SCREW 4X18	1
039		687123-7	STRAIN RELIEF	1
040		682569-2	CORD GUARD 8-85	1

Item	Sub	Parts No.	Parts Description	Qty
041		692006-8	POWER SUPPLY CORD 1.0-2-2.0	1
042		266326-2	TAPPING SCREW 4X18	4
043A		187946-8	SWITCH HANDLE SET	1
	D10		INC. 32	
043B		187946-8	SWITCH HANDLE SET	1
	D10		INC. 32	
043-1C		183B04-0	SWITCH HANDLE SET	1
	D10		INC. 32	
A01		142088-5	GRIP 36 COMPLETE	1
A02A		781010-3	WRENCH 19	1
A02B		165757-1	MIXING BLADE 165	1
A02C		165757-1	MIXING BLADE 165	1
A03B		265220-5	HEX. BOLT M8X18	1
A03C		265220-5	HEX. BOLT M8X18	1
A04B		A-43751	SHAFT COMPLETE	1
A04C		168349-5	SHAFT COMPLETE	1
A04-1B		168349-5	SHAFT COMPLETE	1
A05B		781006-4	WRENCH 13	1
A05C		781006-4	WRENCH 13	1
A06B		781010-3	WRENCH 19	2
A06C		781010-3	WRENCH 19	2

