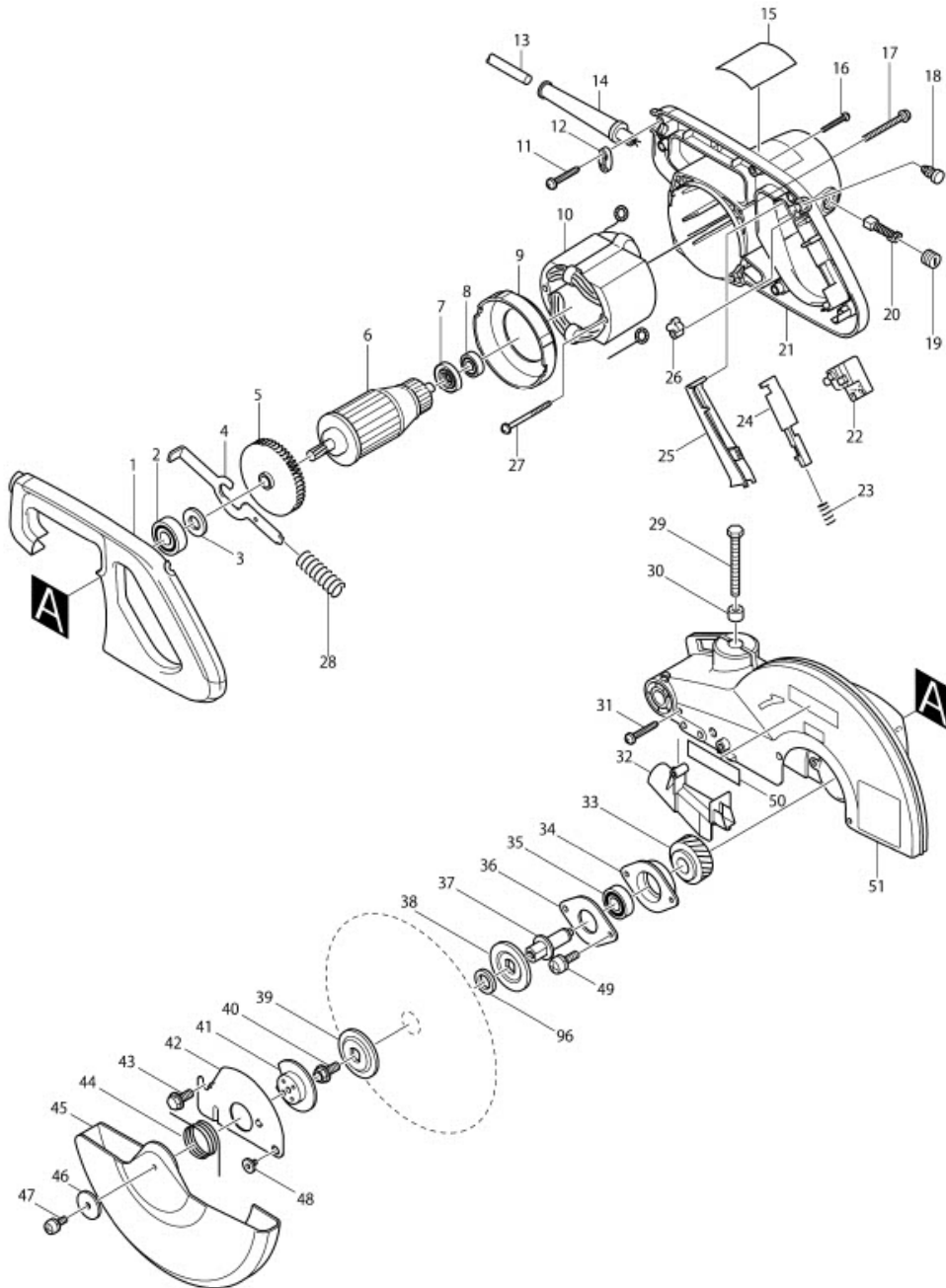
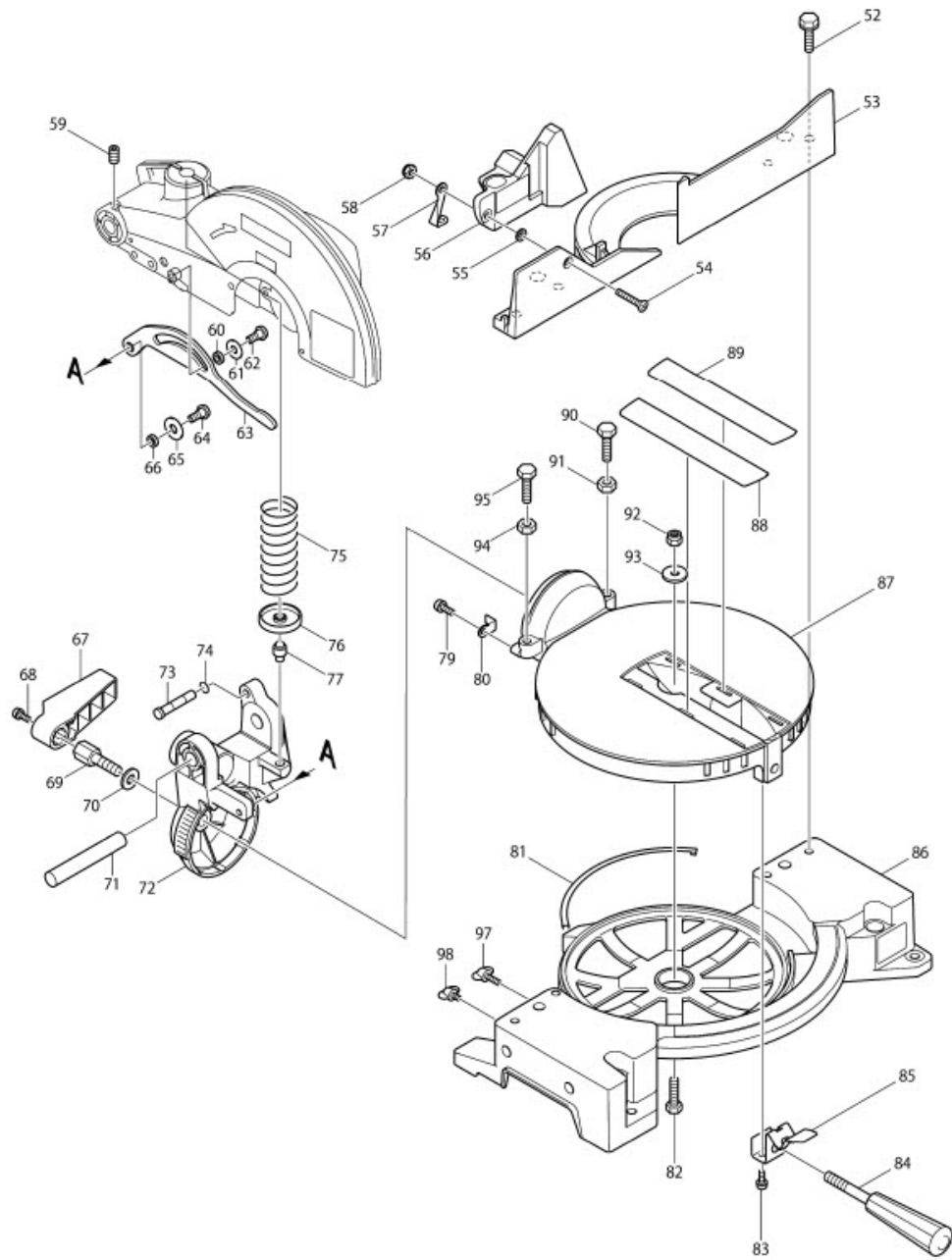


# Part Diagram

Model No.LS1040 MITER SAW 255MM



Model No.LS1040 MITER SAW 255MM



Item	Sub	Parts No.	Parts Description	Qty
1		416004-6	HANDLE COVER	1
001-1		458787-2	HANDLE COVER	1
2		211206-7	BALL BEARING 6202LLB	1
003A		253853-8	FLAT WASHER 15	1
003-1A		267280-3	FLAT WASHER 15	1
003-1G		267280-3	FLAT WASHER 15	1
4		343641-2	SHAFT LOCK	1
5		241909-9	FAN 80	1
006B_A		516719-6	ARMATURE ASS'Y 240V	1
006B_A	D10		INC. 2,3,5,7,8	
7		681640-9	INSULATION WASHER	1
8		211061-7	BALL BEARING 6000LLB	1
009A_		416442-2	BAFFLE PLATE	1
010B_A		526068-3	FIELD ASS'Y 220-240V	1
010B_A	C10	654020-2	RING TERMINAL	1
010B_A	C20	654502-4	CONNECTOR P-2	1
11		265995-6	TAPPING SCREW 4X18	2
012C_A		687063-9	CORD CLAMP	1
012C1A		687052-4	STRAIN RELIEF	1
012C2A		687124-5	STRAIN RELIEF	1
012C2G		687124-5	STRAIN RELIEF	1
013G		664463-0	POWER SUPPLY CORD AWG#14-2-2.8	1
013D_A		692527-0	POWER SUPPLY CORD 1.0-2-2.5	1
014B_A		682540-6	CORD GUARD 9.3-90	1
014B_G		682505-8	CORD GUARD 10-90	1
015A2		851559-8	NAME PLATE LS1040	1
015A3		855H16-6	LS1040 NAME PLATE	1
16		265995-6	TAPPING SCREW 4X18	5
17		911383-2	PAN HEAD SCREW M6X60	4
18		411478-6	SWITCH BUTTON	1
19		643650-4	BRUSH HOLDER CAP 6.5-13.5	2
019-1		643650-4	BRUSH HOLDER CAP 6.5-13.5	2
020A_		181044-0	CARBON BRUSH CB-153	1
021B_A		150784-1	MOTOR HOUSING COMPLETE	1
021B_A	C10	817880-5	CAUTION LABEL	1
021B_A	C20	643660-1	BRUSH HOLDER 6.5-13.5	2
021B1A		153792-1	MOTOR HOUSING COMPLETE	1
021B1A	C10	817880-5	CAUTION LABEL	1
021B1A	C20	643660-1	BRUSH HOLDER 6.5-13.5	2
021B1A	C21	643653-8	BRUSH HOLDER 6.5-13.5	2
021B1	C22	643536-2	BRUSH HOLDER 6.5X13.5	2
021B1G		153792-1	MOTOR HOUSING COMPLETE	1
021B1G	C10	817880-5	CAUTION LABEL	1
021B1G	C21	643653-8	BRUSH HOLDER 6.5-13.5	2
22		651923-1	SWITCH TG70B	1
23		231457-6	COMPRESSION SPRING 3	1
24		416000-4	LOCK OFF LEVER	1
25		415999-0	SWITCH LEVER	1
025-1		459017-4	SWITCH LEVER	1
26		414546-4	CAM	1
27		266029-8	TAPPING SCREW 5X65	2
28		231297-2	COMPRESSION SPRING 9	1
29		251667-9	HEX. BOLT M8X75	1
30		262511-5	RUBBER SLEEVE 6	1
31		265995-6	TAPPING SCREW 4X18	
032A		416007-0	GUIDE COVER	
032-1A		453695-2	GUIDE COVER	
032-1G		453695-2	GUIDE COVER	1

Item	Sub	Parts No.	Parts Description	Qty
33		226465-0	HELICAL GEAR 42	1
34		316821-3	BEARING BOX	1
35		211256-2	BALL BEARING 6203LLB	1
36		285685-5	BEARING RETAINER 64	1
37		322865-3	SPINDLE	1
38		224333-1	FLANGE 53	1
39		224333-1	FLANGE 53	1
40		265355-2	HEX. FLANGE HEAD BOLT M8X20	1
41		343639-9	CENTER PLATE	1
42		344380-7	CENTER COVER	1
43		265324-3	HEX. FLANGE HEAD BOLT M8X12	1
44		231593-8	TORSION SPRING 36	1
45		416003-8	SAFETY COVER	1
46		267136-0	FLAT WASHER 5	1
47		911213-7	PAN HEAD SCREW M5X12	1
047-1		922211-6	H.S.H.BOLT M5X12 WITH W	1
48		265985-9	HEX.SOCKET HEAD BOLT M6	1
49		911223-4	PAN HEAD SCREW M5X16	2
050A		819064-1	MAKITA MARK	1
051A		151451-1	BLADE CASE COMPLETE	1
051A	C10	817667-5	CAUTION LABEL	1
051A	C20	817829-5	CAUTION LABEL	1
051A	C30	263005-3	RUBBER PIN 6	1
051-1A		151451-1	BLADE CASE COMPLETE	1
051-1A	C10	817667-5	CAUTION LABEL	1
051-1A	C20	817829-5	CAUTION LABEL	1
051-1A	C30	263005-3	RUBBER PIN 6	1
051-2A		188324-5	BLADE CASE SET	1
051-2A	C10	817667-5	CAUTION LABEL	1
051-2A	C20	817829-5	CAUTION LABEL	1
051-2A	C30	263005-3	RUBBER PIN 6	1
051-2A	C40	819214-8	MAKITA LOGO LABEL	1
051-3A		188324-5	BLADE CASE SET	1
051-3A	C10	816847-0	OPERATIONAL INDICATION LABEL	1
051-3A	C20	817829-5	CAUTION LABEL	1
051-3A	C30	263005-3	RUBBER PIN 6	1
051-3A	C40	819214-8	MAKITA LOGO LABEL	1
051-4A		140648-7	BLADE CASE COMPLETE	1
051-4A	C10	816847-0	OPERATIONAL INDICATION LABEL	1
051-4A	C20	891309-9	CAUTION LABEL	1
051-4A	C30	263005-3	RUBBER PIN 6	1
051-4G		140648-7	BLADE CASE COMPLETE	1
051-4G	C10	816847-0	OPERATIONAL INDICATION LABEL	1
051-4G	C20	891309-9	CAUTION LABEL	1
051-4G	C30	263005-3	RUBBER PIN 6	1
052A		921451-3	HEX. BOLT M8X30	4
052-1A		265488-3	HEX. BOLT M8X30	4
052-1G		265488-3	HEX. BOLT M8X30	4
053A		316826-3	GUIDE RULE	1
053-1A		316826-3	GUIDE RULE	1
053-2A		318847-1	GUIDE RULE	1
053-2G		318847-1	GUIDE RULE	1
54		912342-9	COUNTERSUNK HEAD SCREW M6X25	1
55		253715-0	FLAT WASHER 6	1
056A		150662-5	SUB FENCE COMPLETE	1
056A	C10	810857-9	CAUTION LABEL	1
056-1A		150662-5	SUB FENCE COMPLETE	1
056-1A	C10	810857-9	CAUTION LABEL	1
056-1G		150662-5	SUB FENCE COMPLETE	1

Item	Sub	Parts No.	Parts Description	Qty
056-1G	C10	810857-9	CAUTION LABEL	1
57		344476-4	SUB FENCE PLATE	1
58		252014-7	HEX. LOCK NUT M6-10	1
59		251961-9	H.S.SET SCREW(FLAT POINT)M6X10	1
60		257162-7	RING 7	1
61		253823-7	FLAT WASHER 7	1
62		265984-1	HEX.SOCKET BUTTON HEAD BOLT M6	1
63		344377-6	LINK PLATE	1
64		265984-1	HEX.SOCKET BUTTON HEAD BOLT M6	1
65		253823-7	FLAT WASHER 7	1
66		257162-7	RING 7	1
67		416006-2	LEVER 100	1
68		911113-1	PAN HEAD SCREW M4X10 WITH WR	1
69		265437-0	HEX. BOLT M10	1
70		253024-7	FLAT WASHER 10	1
71		256836-7	ROD 16	1
072A		150664-1	ARM COMPLETE	1
072A	C10	816310-3	SCALE LABEL	1
072-1A		150664-1	ARM COMPLETE	1
072-1A	C10	816310-3	SCALE LABEL	1
072-2A		154463-3	ARM COMPLETE	1
072-2A	C10	816310-3	SCALE LABEL	1
072-2G		154463-3	ARM COMPLETE	1
072-2G	C10	816310-3	SCALE LABEL	1
73		322317-4	STOPPER PIN	1
74		213021-5	O RING 5	1
75		233152-4	COMPRESSION SPRING 28	1
076A		343638-1	SPRING HOLDER	1
076-1A		344464-1	SPRING HOLDER	1
076-1G		344464-1	SPRING HOLDER	1
077A_A		256260-4	PIN 8	1
077A1A		256280-8	PIN 8	1
077A1G		256280-8	PIN 8	1
79		911113-1	PAN HEAD SCREW M4X10 WITH WR	1
80		344385-7	POINTER	1
81		343799-7	SLIDE PLATE	3
82		921452-1	HEX. BOLT M8X30	1
83		911213-7	PAN HEAD SCREW M5X12	2
84		273495-2	GRIP 32	1
85		344381-5	KNOCK SPRING	1
086A		150585-7	BASE COMPLETE	1
086A	C10	816311-1	MITER SCALE PLATE	1
086A	C20	817837-6	CAUTION LABEL	1
086A	C30	817283-3	CAUTION LABEL	2
086-1A		150585-7	BASE COMPLETE	1
086-1A	C10	816311-1	MITER SCALE PLATE	1
086-1A	C20	817837-6	CAUTION LABEL	1
086-1A	C30	817283-3	CAUTION LABEL	2
086-1G		150585-7	BASE COMPLETE	1
086-1G	C10	816311-1	MITER SCALE PLATE	1
086-1G	C20	817837-6	CAUTION LABEL	1
086-1G	C30	817283-3	CAUTION LABEL	2
087A		316824-7	TURN BASE	1
087-1A		316824-7	TURN BASE	1
087-1G		316824-7	TURN BASE	1
88		416001-2	KERF BOARD	1
89		416001-2	KERF BOARD	1
90		921452-1	HEX. BOLT M8X30	1
91		931402-8	HEX. NUT M8	1

Item	Sub	Parts No.	Parts Description	Qty
92		252105-4	HEX. LOCK NUT M8-13	1
093-1		253762-1	FLAT WASHER 8	1
94		931402-8	HEX. NUT M8	1
95		921452-1	HEX. BOLT M8X30	1
96		257060-5	RING 15.8	1
97		251887-5	SCREW M6X10	1
98		265708-5	THUMB SCREW M6X20	2
A01		411478-6	SWITCH BUTTON	2
A02		762001-3	TRIANGULAR RULE	1
A03		782212-4	SOCKET WRENCH 13	1
A04A		122523-9	DUST BAG ASS'Y	1
A04A	C10	410602-8	FASTENER	1
A04-1A		122852-0	DUST BAG ASS'Y	1
A04-1A	C10	410602-8	FASTENER	1
A04-1G		122852-0	DUST BAG ASS'Y	1
A04-1G	C10	410602-8	FASTENER	1
A05A		122531-0	SUB PLATE ASS'Y	1
A05A	C10	252148-6	SQUARE NUT M8	1
A05A	C20	921431-9	HEX. BOLT M8X20	1
A05-1A		193471-9	SUB PLATE ASS'Y	1
A05-1A	C10	252148-6	SQUARE NUT M8	1
A05-1A	C20	921431-9	HEX. BOLT M8X20	1
A05-1G		193471-9	SUB PLATE ASS'Y	1
A05-1G	C10	252148-6	SQUARE NUT M8	1
A05-1G	C20	921431-9	HEX. BOLT M8X20	1
A06		122536-0	WISE ASS'Y	1
A06	C10	251370-2	+ PAN HEAD SCREW M5	1
A06	C20	251887-5	SCREW M6X10	1
A06	C30	253804-1	FLAT WASHER 6	1
A06	C40	271286-5	KNOB 40	1
A06	C50	316938-2	WISE ARM	1
A06	C60	322313-2	WISE ROD	1
A06	C70	343651-9	WISE PLATE	1
A07		257022-3	RING 16	1
A08		322312-4	HOLDER	2
B01		192621-3	HOLDER SET	1
B01	D10		INC. 098,A08	
E05A		651941-9	SWITCH V-15-2A5	1
E17		A-83696	T.C.T.SAW BLADE 255X32TX25.4	1