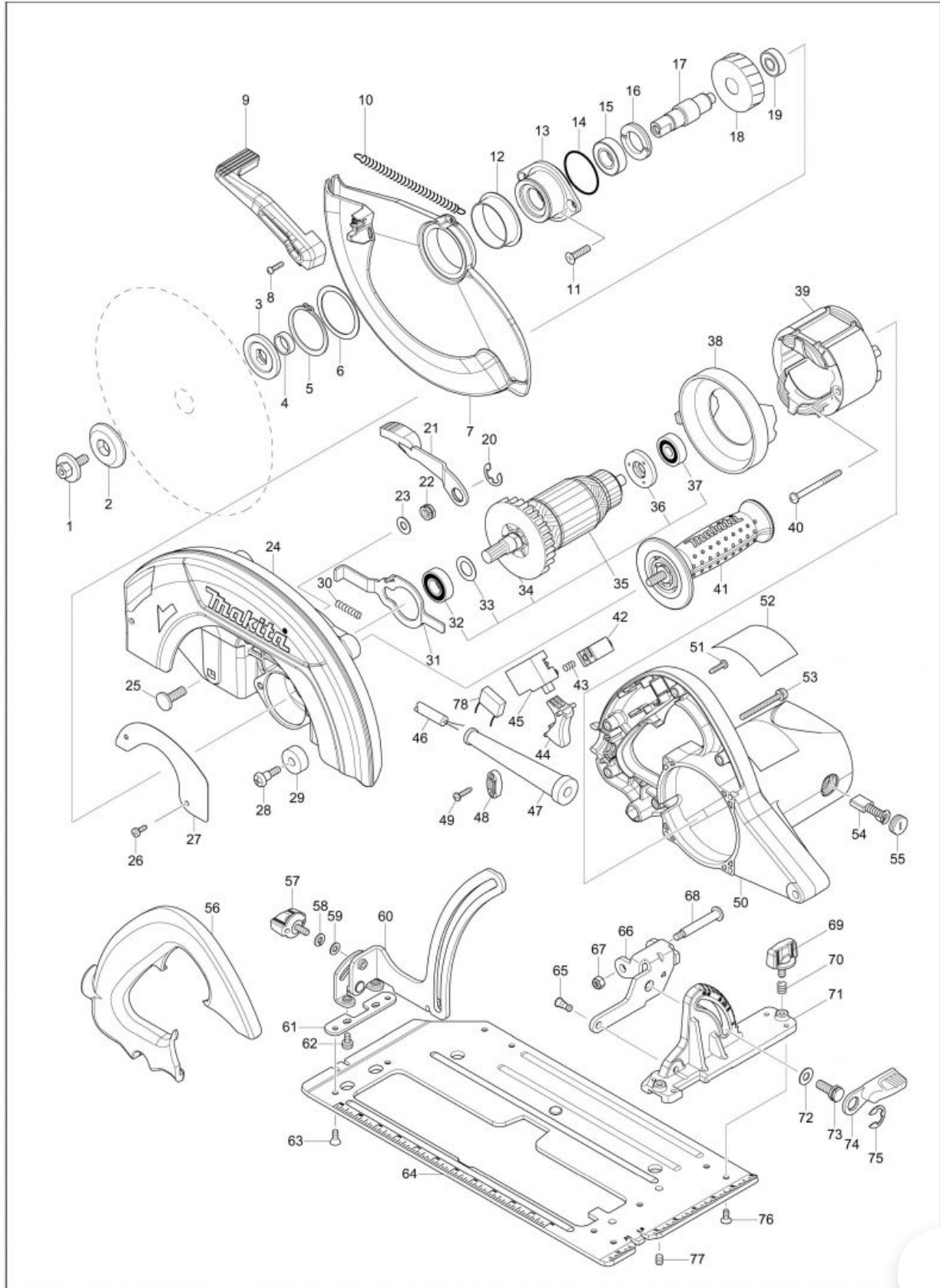


# Part Diagram

(MY) HS0600 / 260MM CIRCULAR SAW



Item	Sub	Parts No.	Parts Description	Qty
001		251519-4	HEX.SOCKET HEX.BOLT M8X25	1
002		224325-0	OUTER FLANGE 45	1
003		224494-7	INNER FLANGE 45	1
004		257279-6	RING 17	1
005		961202-2	RETAINING RING S-45	1
006		267219-6	FLAT WASHER 45	1
007		319527-2	SAFETY COVER	1
008		265178-8	PAN HEAD SCREW M4X16	1
009		457318-4	LEVER 126	1
010		232356-5	TENSION SPRING 6	1
011		265031-8	+ COUNTERSUNK HEAD SCREW M6X2	2
012		457317-6	SPACER	1
013		319529-8	BEARING BOX	1
014		213560-5	O RING 44	1
014-1		213676-6	O RING 53	1
015		210301-0	BALL BEARING 6003DDW	1
016		285809-3	BEARING RETAINER 23-36	1
017		326877-8	SPINDLE	1
018		226523-2	HELICAL GEAR 39	1
019		210141-6	BALL BEARING 6000DDW	1
020		257953-6	BOW STOP RING E-12	1
021		271432-0	LEVER 107	1
022		252199-9	HEX. NUT M8-13	1
023		941201-0	FLAT WASHER 8	1
024		144284-1	BLADE CASE COMPLETE	1
	C10	213459-4	O RING 32	1
025		266396-1	FLATHEAD SQUARENECKBOLT M8X24	1
026		266026-4	TAPPING SCREW BIND CT 4X12	2
027		347123-6	COVER PLATE	1
028		251518-6	+ PAN HEAD SCREW M6	1
029		262007-6	RUBBER RING 8	1
030		233264-3	COMPRESSION SPRING 5	1
031		344844-1	SHAFT LOCK	1
032		211236-8	BALL BEARING 6002DDW	1
033		267164-5	FLAT WASHER 15	1
034		240003-4	FAN 80	1
035		516819-2	ARMATURE ASS'Y 240V	1
	D10		INC. 32-34,36,37	
036		681630-2	INSULATION WASHER	1
037		211066-7	BALL BEARING 6200LLB	1
038		417114-2	BAFFLE PLATE	1
039		596209-5	FIELD ASS'Y 240V	1
	C10	654020-2	RING TERMINAL	2
	C20	654502-4	CONNECTOR P-2	2
040		266044-2	TAPPING SCREW 5X60	2
041		144285-9	GRIP 36 COMPLETE	1
042		417116-8	LOCK-ON BUTTON	1
043		233284-7	COMPRESSION SPRING 5	1
044		417115-0	SWITCH LEVER	1
045		651984-1	SWITCH TG71B-2	1
046		692527-0	POWER SUPPLY CORD 1.0-2-2.5	1
047		682564-2	CORD GUARD	1
048		687124-5	STRAIN RELIEF	1
049		266326-2	TAPPING SCREW 4X18	2
050		151848-4	MOTOR HOUSING COMPLETE	1
	C10	643653-8	BRUSH HOLDER 6.5-13.5	
051		266326-2	TAPPING SCREW 4X18	2
052		852Y38-9	HS0600 NAME PLATE	1

Item	Sub	Parts No.	Parts Description	Qty
053		911273-9	PAN HEAD SCREW M5X50	4
054		181044-0	CARBON BRUSH CB-153	1
055		643650-4	BRUSH HOLDER CAP 6.5-13.5	2
056		417118-4	HANDLE COVER	1
057		265798-8	THUMB SCREW M6X14	1
058		942151-2	SPRING WASHER 6	1
058-1		253428-3	SPRING WASHER 6	1
059		941151-9	FLAT WASHER 6	1
060		144526-3	DEPTH GUIDE COMPLETE	1
061		347124-4	PLATE	1
062		251212-0	+ FLAT HEAD SCREW M5X13	2
063		912202-5	COUNTERSUNK HEAD SCREW M5X8	2
064		347211-9	BASE	1
065		256351-1	SHOULDER PIN 6-7	1
066		347122-8	ANGULAR GUIDE	1
067		252014-7	HEX. LOCK NUT M6-10	1
068		251528-3	+ PAN HEAD SCREW M6	1
069		265798-8	THUMB SCREW M6X14	1
070		233376-2	COMPRESSION SPRING 8	1
071		319528-0	ANGULAR PLATE	1
072		941201-0	FLAT WASHER 8	1
073		251520-9	HEX. BOLT M8X20	1
074		272253-3	LEVER 56	1
075		257953-6	BOW STOP RING E-12	1
076		912212-2	COUNTERSUNK HEAD SCREW M5X12	5
077		266208-8	H.S.SET SCREW(CUP POINT)M6X8	2
A01		164367-1	GUIDE RULE	1
A02		410047-0	WRENCH HOLDER 5.6	1
A03		792087-3	CHISEL T. COMBI. SAW BLADE 260	1
A04		783204-6	HEX. WRENCH 6	1
A05		224371-3	INNER FLANGE 45	1