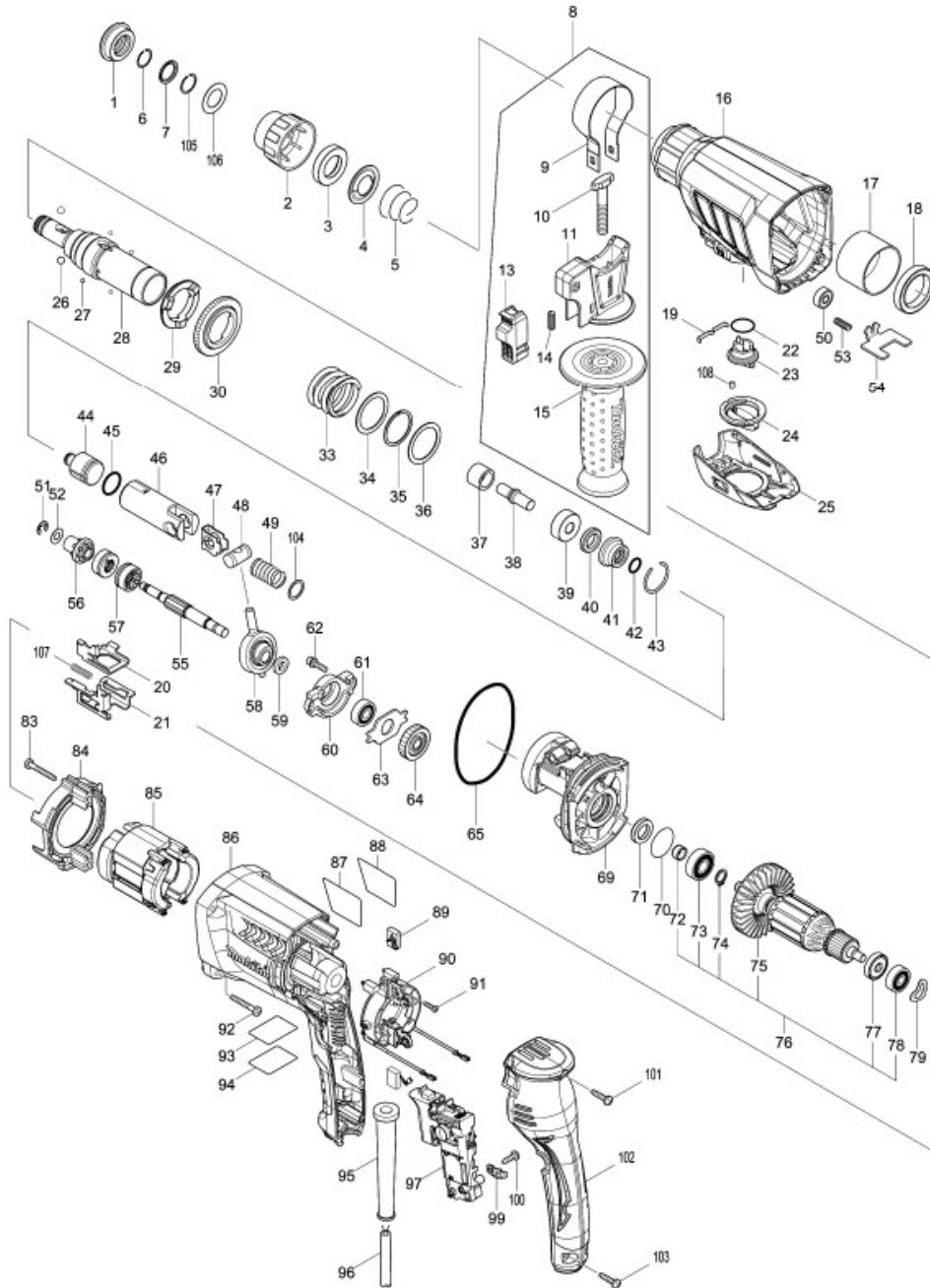


Part Diagram

Model No.HR2630 26MM COMBINATION HAMMER



Item	Sub	Parts No.	Parts Description	Qty
1		286288-8	CAP 35	1
2		455393-4	CHUCK COVER	1
3		325813-1	RING 21	1
4		346177-0	GUIDE WASHER	1
5		233916-6	CONICAL COMP. SPRING 21-29	1
6		233989-9	RING SPRING 14	1
7		346834-0	WASHER 16	1
8		122878-2	GRIP ASSEMBLY	1
8	D10		INC. 9-11,13-15	
9		346181-9	GRIP SPRING 50	1
10		266349-0	SQUARE BOLT M8X50	1
11		451539-0	GRIP BASE	1
13		141765-6	LOCK BUTTON COMPLETE	1
14		233360-7	COMPRESSION SPRING 4	1
15		154935-8	GRIP 36 COMPLETE	1
16		142971-6	GEAR HOUSING COMPLETE	1
16	C10	213636-8	OIL SEAL 25	1
17		331890-3	CUP SLEEVE	1
18		211294-4	BALL BEARING 6806LLU	1
19		232286-0	LEAF SPRING	1
20		346833-2	CHANGE PLATE B	1
21		346832-4	CHANGE PLATE A	1
22		213278-8	O RING 17	1
23		455392-6	CHANGE LEVER	1
24		455394-2	CHANGE LEVER CAP	1
25		455391-8	CHANGE LEVER COVER	1
26		216022-2	STEEL BALL 7.0	2
27		216019-1	STEEL BALL 3	4
28		142973-2	TOOL HOLDER COMPLETE	1
28	C10	213344-1	OIL SEAL 9	1
29		332139-4	DRIVING FLANGE	1
30		227360-7	SPUR GEAR 51	1
33		234148-8	COMPRESSION SPRING 31	1
34		267153-0	FLAT WASHER 30	1
35		257932-4	SPIRO LOCK WASHER 30	1
36		267153-0	FLAT WASHER 30	1
37		325782-6	SLEEVE 9A	1
38		325789-2	IMPACT BOLT A	1
39		325794-9	RING 10A	1
40		424267-0	CUSHION RING 12	1
41		325798-1	O-RING CASE A	1
42		213073-6	O RING 9	1
43		233979-2	RING SPRING 28	1
44		325784-2	STRIKER	1
45		213258-4	O RING 17.5	1
46		310345-1	PISTON CYLINDER	1
47		346036-8	GUIDE PLATE	1
48		324215-8	PISTON JOINT	1
49		234098-7	COMPRESSION SPRING 14	1
50		210028-2	BALL BEARING 606ZZ	1
51		257336-0	STOP RING EXT U-6	1
52		253186-1	FLAT WASHER 7	1
53		233360-7	COMPRESSION SPRING 4	1
54		346831-6	LOCK PLATE	1
55		326448-1	CAM SHAFT	1
56		227359-2	SPUR GEAR 10	1
57		332125-5	CLUTCH CAM	1
58		219014-0	SWASH BEARING 10	1

Item	Sub	Parts No.	Parts Description	Qty
59		257321-3	RING 8	1
60		310344-3	BEARING BOX	1
61		211032-4	BALL BEARING 608ZZ	1
62		266437-3	HEX. SOCKET HEAD BOLT M4X16	2
63		285735-6	BEARING RETAINER	1
64		227719-8	HELICAL GEAR 26	1
65		213728-3	O-RING 68	1
69		141572-7	INNER HOUSING COMPLETE	1
69	C10	443153-6	FELT	1
70		213407-3	O RING 26	1
71		213678-2	OIL SEAL 12	1
72		262569-4	SLEEVE 9	1
73		211097-6	BALL BEARING 6000LLB	1
74		961006-2	RETAINING RING S-10	1
75		240121-8	FAN 65	1
76		515359-7	ARMATURE ASSEMBLY 240V	1
76	D10		INC. 72-75,77,78	
77		681652-2	INSULATION WASHER	1
78		210023-2	BALL BEARING 627DDW	1
79		267804-5	WAVE WASHER 15	1
83		266361-0	TAPPING SCREW 4X30	2
84		451527-7	BAFFLE PLATE	1
85		626634-7	FIELD 240V	1
86		451536-6	MOTOR HOUSING	1
87		850M21-8	HR2630 NAME PLATE	1
88		819390-8	CLEAR LABEL	1
89		194074-2	CARBON BRUSH CB-325	1
90		638655-7	BRUSH HOLDER UNIT	1
91		266556-5	TAPPING SCREW 3X12	2
92		266361-0	TAPPING SCREW 4X30	4
93		850M25-0	HR2630 SERIAL NO. LABEL	1
94		819389-3	CLEAR LABEL	1
95		682566-8	CORD GUARD 10	1
96		692527-0	POWER SUPPLY CORD 1.0-2-2.5	1
97		650626-4	SWITCH TG853TB-1	1
99		687682-1	STRAIN RELIEF	1
100		266385-6	TAPPING SCREW 4X14	1
101		266326-2	TAPPING SCREW 4X18	1
102		451528-5	HANDLE COVER	1
103		266326-2	TAPPING SCREW 4X18	2
104		267447-3	FLAT WASHER 14	1
105		233992-0	RING SPRING 15	1
106		267114-0	FLAT WASHER 17	1
107		234343-0	COMPRESSION SPRING 5	1
108		263005-3	RUBBER PIN 6	1
109		136165-3	TOOL HOLDER ASS'Y	1
109	D10		INC. 27-30,33-35,37-43	
A02		331886-4	DEPTH GAUGE	1
A03		824914-7	PLASTIC CARRYING CASE	1
A03	C10	162302-3	LATCH	2
A04B		194041-7	DRILL CHUCK SET	1
A05B		D-46361	SDS-PLUS DRILL & CHISEL 10PC	1
B01		196968-7	HAMMER SERVICE KIT	1
B01	C10	195127-0	OIL VESSEL SET	2
B01	D10		INC. 1,6,26,40,42,43,45,89,105	