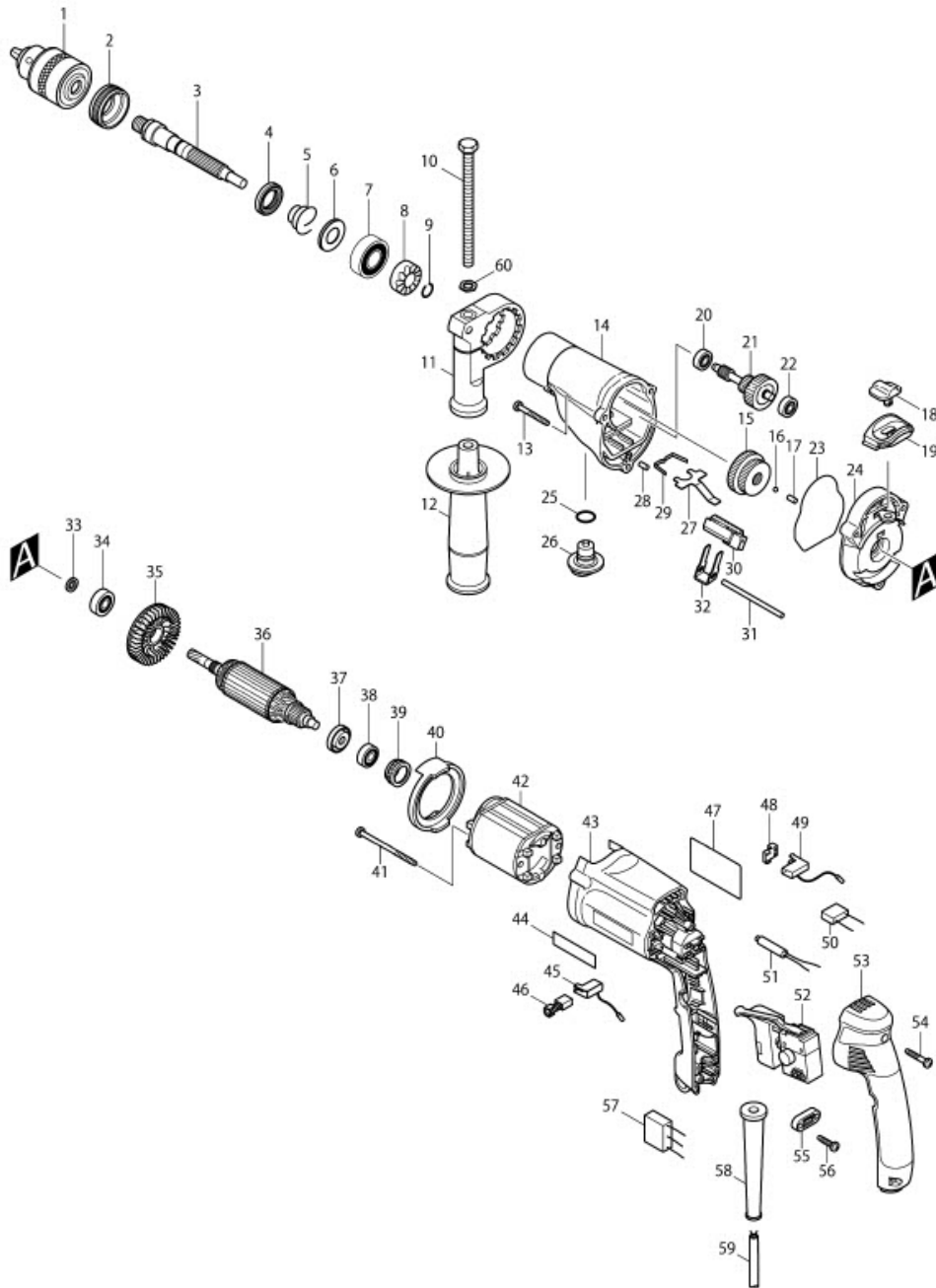


Part Diagram

Model No.HP2050 2-SPEED HAMMER DRILL 20MM



Item	Sub	Parts No.	Parts Description	Qty
1		193067-6	DRILL CHUCK & KEY SET	1
2		285839-4	BEARING RETAINER	1
3		324247-5	SPINDLE	1
4		213314-0	OIL SEAL 19	1
5		233921-3	CONICAL COMPRESSION SPRING	1
6		345224-4	CUP WASHER 15	1
7		211206-7	BALL BEARING 6202LLB	1
8		223137-8	CAM A	1
9		233920-5	RING SPRING 11	1
10		921923-8	HEX. BOLT M8X120	1
011-1		417630-4	GRIP BASE	1
012-3		135302-6	GRIP 36 ASS'Y	1
012-3	C10	153503-4	GRIP 36 COMPLETE	1
012-3	D10		INC. 10,11,60	
13		266053-1	TAPPING SCREW 4X35	3
14		153379-9	GEAR HOUSING COMPLETE	1
15		227030-8	SPUR GEAR 29-37	1
16		216001-0	STEEL BALL 3.5	1
17		256251-5	PIN 4	1
018-1		418083-0	CHANGE LEVER A	1
19		417802-1	LEVER CASE	1
020-1		211012-0	BALL BEARING 606ZZ	1
021-1		153622-6	GEAR COMPLETE	1
022-1		211012-0	BALL BEARING 606ZZ	1
23		421810-6	SEAL RING	1
024-1		153620-0	GEAR HOUSING COVER COMPLETE	1
025-1		213122-9	O RING 12	1
26		417805-5	CHANGE LEVER B	1
27		345225-2	LOCK PLATE	1
28		256251-5	PIN 4	1
29		232143-2	LEAF SPRING	1
30		417804-7	RACK 12	1
31		268092-7	PIN 4	1
32		345223-6	CHANGE PLATE B	1
33		262087-2	RING 8	1
033-1		257857-2	RING 8	1
34		210005-4	BALL BEARING 608DDW	1
35		241881-5	FAN 52	1
36		517414-1	ARMATURE ASS'Y 220-240V	1
36	D10		INC. 33,34,35,37,38	
37		681636-0	INSULATION WASHER	1
38		211021-9	BALL BEARING 607LLB	1
39		421494-0	RUBBER RING 19	1
40		417803-9	BAFFLE PLATE	1
41		266060-4	TAPPING SCREW 4X65	2
42		633528-9	FIELD 220-240V	1
043-1		417807-1	MOTOR HOUSING	1
45		643989-5	BRUSH HOLDER	1
46		191962-4	CARBON BRUSH CB-419	1
47		853858-4	NAME PLATE HP2050	1
48		689111-0	SPACER	2
49		643988-7	BRUSH HOLDER	1
52		650524-2	SWITCH TG813ALB-2	1
53		153284-0	HANDLE COVER COMPLETE	1
53	C10	263002-9	RUBBER PIN 4	1
54		265999-8	TAPPING SCREW 4X25	1
055-1		687123-7	STRAIN RELIEF	1
56		265995-6	TAPPING SCREW 4X18	2

Item	Sub	Parts No.	Parts Description	Qty
58		682559-5	CORD GUARD 8	1
59		692021-2	POWER SUPPLY CORD 1.0-2-2.5	1
60		345280-4	HEX. WASHER	1
61		263002-9	RUBBER PIN 4	1
A01		324219-0	DEPTH GAUGE	1
A02		410102-8	KEY HOLDER	1
A03		824650-5	PLASTIC CARRYING CASE	1
A03	C10	417724-5	LATCH	2
A03	C20	819144-3	MAKITA LOGO LABEL	1
A04		763430-3	CHUCK KEY S13	1
A06		806X02-6	HP2050 INDICATION LABEL	1