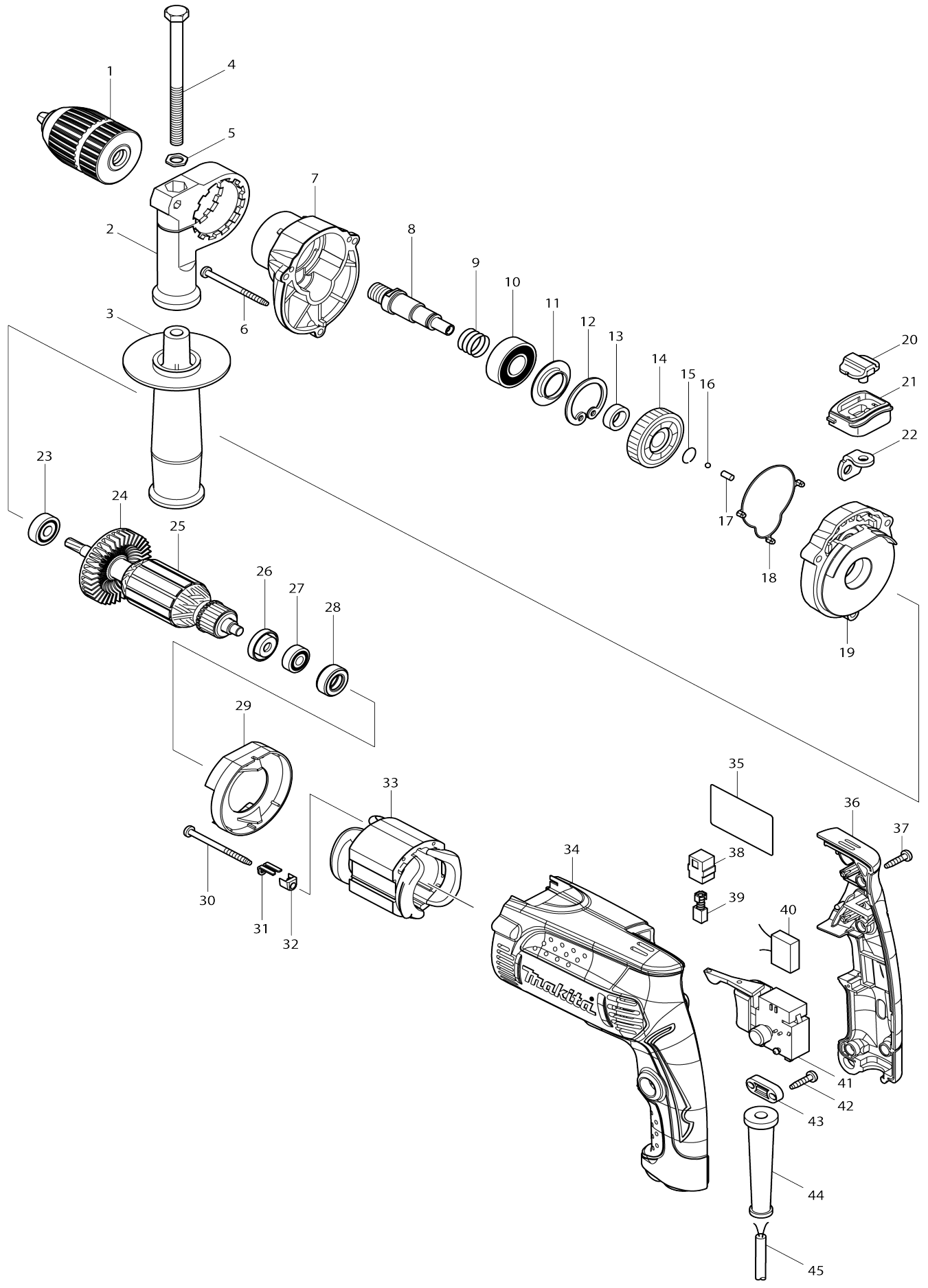


Model No.HP1631 HAMMER DRILL 16MM



Model No.HP1631 HAMMER DRILL 16MM

Item No.	Parts No.	Description	Interchangability	Q'ty	New/Old	Note1	Note2
001	192692-0	KEYLESS DRILL CHUCK		1	*		
001-1	196193-0	KEYLESS DRILL CHUCK	O	1	*		
001-2	196564-1	KEYLESS DRILL CHUCK	O	1	*		
001-3	196193-0	KEYLESS DRILL CHUCK	<	1			
002	417630-4	GRIP BASE		1			
003	153503-4	GRIP 36 COMPLETE		1	*		
003-1	152489-9	GRIP 36 COMPLETE	O	1			
004	265495-6	HEX. BOLT M8X110		1			
005	345280-4	HEX. WASHER		1			
006	266361-0	TAPPING SCREW 4X30		3	*		
006-1	265B70-0	TAPPING SCREW 4X30	O	3			
007	450619-9	GEAR HOUSING		1			
008	324223-9	SPINDLE		1			
009	233330-6	COMPRESSION SPRING 16		1			
010	211241-5	BALL BEARING 6202DDW		1			
011	257246-1	RING 19		1			
012	962153-2	RETAINING RING R-35		1			
013	257173-2	RING 12		1			
014	226589-2	HELICAL GEAR 37		1	*		
014-1	227806-3	HELICAL GEAR 37	S	1			
015	233938-6	RING SPRING 12		1			
016	216001-0	STEEL BALL 3.5		1			
017	256251-5	PIN 4		1			
018	424112-9	SEAL RING		1			
019	158676-8	GEAR HOUSING COVER COMPLETE		1			
020	417819-4	CHANGE LEVER		1			
021	450621-2	LEVER CASE		1			
022	345944-0	CHANGE PLATE		1			
023	211031-6	BALL BEARING 608LLB		1			
024	241869-5	FAN 55		1			
025	515309-2	ARMATURE ASS'Y 240V		1	*		
D10		INC. 23,24,26,27					
025-1	513439-3	ARMATURE ASS'Y 240V	S	1			
D10		INC. 23,24,26,27					
026	681636-0	INSULATION WASHER		1			
027	211021-9	BALL BEARING 607LLB		1			
028	421808-3	RUBBER RING 19		1			
029	450620-4	BAFFLE PLATE		1			
030	266415-3	TAPPING SCREW 4X55		2	*		
030-1	266467-4	TAPPING SCREW 4X50	S	2			
031	344871-8	RETAINER		2			
032	417237-6	INSULATION COVER		2	*		
033	626604-6	FIELD 240V		1	*		
033-1	626644-4	FIELD 240V	O	1	*		
033-2	621A44-9	FIELD	<	1			
034	450617-3	MOTOR HOUSING		1	*		
034-1	457967-7	MOTOR HOUSING	<	1			

035	865373-6	HP1631 NAME PLATE		1			
036	158677-6	HANDLE COVER COMPLETE		1			
037	266326-2	TAPPING SCREW 4X18		4	*		
037-1	265B67-9	TAPPING SCREW 4X18	O	4			
038	643563-9	BRUSH HOLDER 5X8		2	*		
038-1	643566-3	BRUSH HOLDER 5X8	O	2			
039	191998-3	CARBON BRUSH CB-85		1			
040	645200-1	NOISE SUPPRESSOR		1	*		
040-1	645267-9	NOISE SUPPRESSOR	O	1			
041	650586-0	SWITCH DGQ-1104H		1			
042	266326-2	TAPPING SCREW 4X18		2	*		
042-1	265B67-9	TAPPING SCREW 4X18	O	2			
043	687124-5	STRAIN RELIEF		1			
044	682569-2	CORD GUARD 8-85		1	*		
044-1	682502-4	CORD GUARD 8-85	O	1			
045	665383-1	POWER SUPPLY CORD 1.0-2-2.0		1			
A01	824811-7	PLASTIC CARRYING CASE		1			
C10	324815-4	SHAFT		1			
C20	417724-5	LATCH		2			
C30	418264-6	PLATE		3			
C40	419216-0	HANDLE		1			
C50	450086-8	PLASTIC CASE LID		1			
A01	821549-5	CONNECTOR PLASTIC CASE (TYP E1)		1			
C10	453974-8	LATCH		4			
A02	837666-1	INNER TRAY		1	*		
A02-1	838038-3	INNER TRAY	<	1			
A03	801C88-9	HP1631J INDICATION LABEL		1			
A04	801C89-7	HP1631J PLASTIC CASE LABEL		2			

Please state Parts No. when your order.

Print Date 24.10.2023