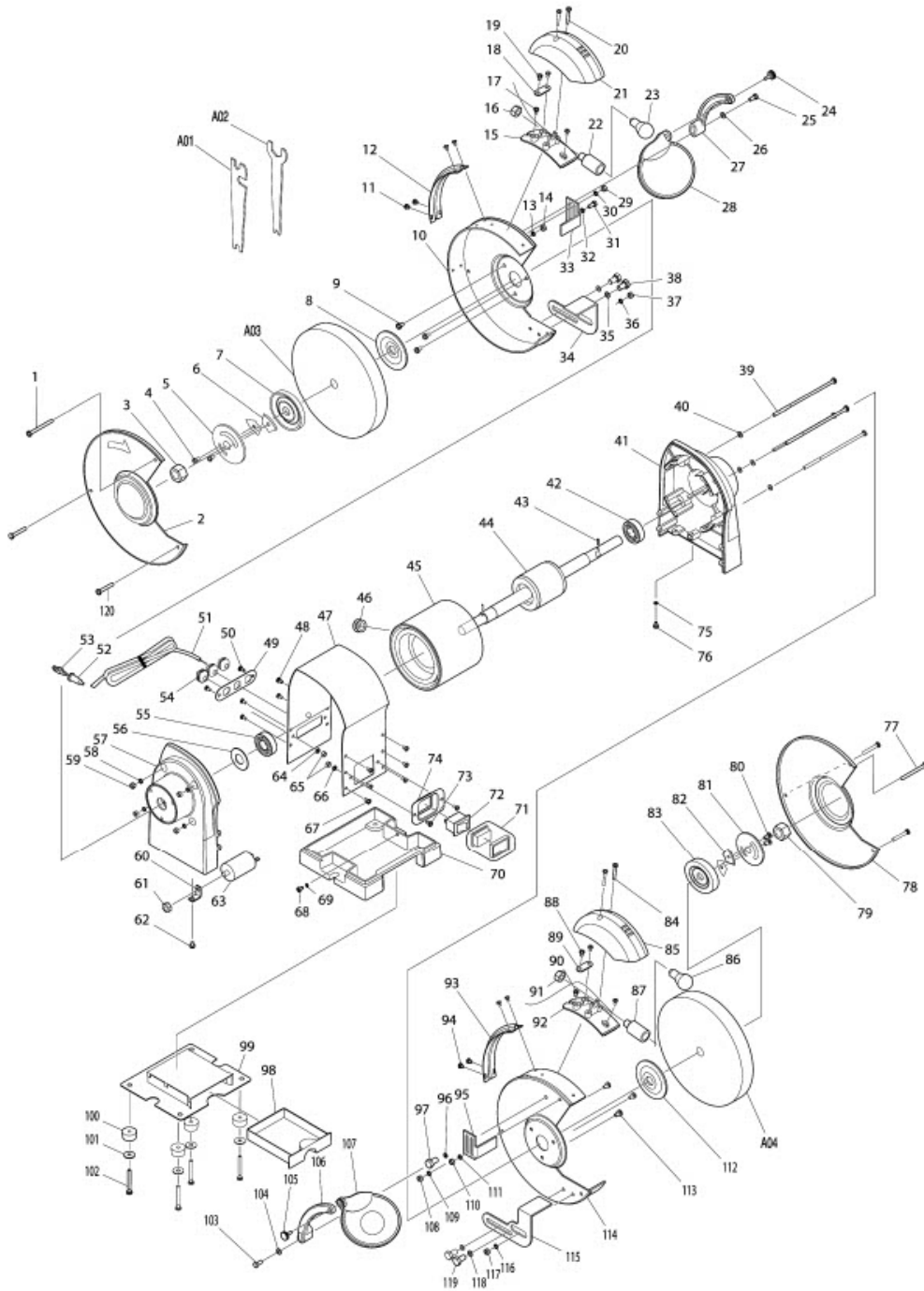


# Part Diagram

Model No.GB801 BENCH GRINDER 205MM



Item	Sub	Parts No.	Parts Description	Qty
1		911276-3	PAN HEAD SCREW M5X55	2
2		AL00000057	WHEEL COVER L	1
3		AL00000058	HEX NUT M16L	1
4		AL00000059	PAN HEAD SCREW M5X5	2
5		AL00000060	BALANCE PLATE	1
6		AL00000061	BALANCE WEIGHT	2
7		AL00000062	OUTER FLANGE	1
8		AL00000063	INNER FLANGE	1
9		911211-1	PAN HEAD SCREW M5X12	3
10		AL00000064	WHEEL COVER L	1
11		911107-6	PAN HEAD SCREW M4X8	4
12		AL00000065	CORD CLAMP	1
13		942101-7	SPRING WASHER 5	1
14		931201-8	HEX. NUT M5	1
15		AL00000194	LAMP COVER BASE	1
16		AL00000009	NUT	1
17		911113-1	PAN HEAD SCREW M4X10 WITH WR	2
18		AL00000010	STRAIN RELIEF	1
19		911118-1	PAN HEAD SCREW M4X12	2
20		911156-3	PAN HEAD SCREW M4X30	2
21		AL00000011	LAMP COVER	1
22		AL00000012	LAMP HOLDER ASSY	1
022-1		AL00000138	LAMP HOLDER ASSEMBLY	1
23		AL00000013	BULB	1
24		AL00000014	ADJUSTABLE KNOB	1
25		921351-7	HEX. BOLT M6X30	1
26		941151-9	FLAT WASHER 6	1
27		AL00000015	EYESHIELD MOUNTING ARM L	1
28		AL00000016	SAFETY EYE SHIELD	1
29		931201-8	HEX. NUT M5	1
30		942101-7	SPRING WASHER 5	1
31		921212-1	HEX. BOLT M5X12	1
32		942101-7	SPRING WASHER 5	1
33		AL00000066	SPARK DEFLECTOR (LEFT)	1
34		AL00000067	WORK REST (LEFT)	1
35		941202-8	FLAT WASHER 8	2
36		942101-7	SPRING WASHER 5	1
37		931201-8	HEX. NUT M5	1
38		921411-5	HEX. BOLT M8X12	2
39		AL00000068	PAN HEAD SCREW M5X142	4
40		941101-4	FLAT WASHER 5	4
41		AL00000069	MOTOR HOUSING COVER R	1
42		211306-3	BALL BEARING 6204LLB	1
43		951051-5	SPRING PIN 3-8	2
44		AL00000070	ROTOR	1
044-1		AL00000241	ROTOR	1
45		AL00000190	STATOR	1
045-1		AL00000236	STATOR	1
46		AL00000022	BUSH	1
47		AL00000072	MOTOR HOUSING	1
48		911113-1	PAN HEAD SCREW M4X10 WITH WR	4
49		AL00000024	CORD CLIP PLATE	1
50		911113-1	PAN HEAD SCREW M4X10 WITH WR	2
51		AL00000173	POWER SUPPLY CORD	1
54		AL00000026	CORD GUARD	1
55		211306-3	BALL BEARING 6204LLB	1
56		AL00000073	WAVE WASHER	1
57		AL00000074	MOTOR HOUSING COVER L	1

Item	Sub	Parts No.	Parts Description	Qty
58		942101-7	SPRING WASHER 5	4
59		931201-8	HEX. NUT M5	4
60		AL00000029	CAPACITOR CLAMP	1
61		931402-8	HEX. NUT M8	1
62		911113-1	PAN HEAD SCREW M4X10 WITH WR	1
63		AL00000099	CAPACITOR	1
64		942051-6	SPRING WASHER 4	2
65		931102-0	HEX. NUT M4	4
66		942051-6	SPRING WASHER 4	2
67		911113-1	PAN HEAD SCREW M4X10 WITH WR	6
68		911113-1	PAN HEAD SCREW M4X10 WITH WR	1
69		AL00000134	TOOTHED LOCK WASHER 4	1
70		AL00000076	BASE	1
71		AL00000033	SWITCH COVER ASSY	1
72		AL00000032	SWITCH ASSY COVER	1
072-1		AL00000168	SWITCH WITH COVER	1
73		911113-1	PAN HEAD SCREW M4X10 WITH WR	2
74		AL00000031	SWITCH BOARD	1
75		AL00000134	TOOTHED LOCK WASHER 4	1
76		911113-1	PAN HEAD SCREW M4X10 WITH WR	1
78		AL00000077	SIDE COVER R	1
79		AL00000078	HEX NUT M16	1
80		AL00000059	PAN HEAD SCREW M5X5	2
81		AL00000060	BALANCE PLATE	1
82		AL00000061	BALANCE WEIGHT	2
83		AL00000062	OUTER FLANGE	1
84		911156-3	PAN HEAD SCREW M4X30	2
85		AL00000011	LAMP COVER	1
86		AL00000013	BULB	1
87		AL00000012	LAMP HOLDER ASSY	1
087-1		AL00000138	LAMP HOLDER ASSEMBLY	1
88		911118-1	PAN HEAD SCREW M4X12	2
89		AL00000010	STRAIN RELIEF	1
90		911113-1	PAN HEAD SCREW M4X10 WITH WR	2
91		AL00000009	NUT	1
92		AL00000194	LAMP COVER BASE	1
93		AL00000065	CORD CLAMP	1
94		911107-6	PAN HEAD SCREW M4X8	4
95		AL00000079	SPARK DEFLECTOR (RIGHT)	1
96		942101-7	SPRING WASHER 5	1
97		921212-1	HEX. BOLT M5X12	1
98		AL00000080	COOLANT TRAY	1
99		AL00000081	COOLANT TRAY PLATE ASSY	1
100		AL00000083	RUBBER SLEEVE	4
101		941101-4	FLAT WASHER 5	4
102		911267-4	PAN HEAD SCREW M5X45	4
103		921351-7	HEX. BOLT M6X30	1
104		941151-9	FLAT WASHER 6	1
105		AL00000014	ADJUSTABLE KNOB	1
106		AL00000038	EYESHIELD MOUNTING ARM R	1
107		AL00000037	SAFETY EYE SHIELD WITH MAG	1
108		931201-8	HEX. NUT M5	1
109		942101-7	SPRING WASHER 5	1
110		931201-8	HEX. NUT M5	1
111		942101-7	SPRING WASHER 5	1
112		AL00000063	INNER FLANGE	1
113		911211-1	PAN HEAD SCREW M5X12	1
114		AL00000084	WHEEL COVER R	1
115		AL00000085	WORK REST (RIGHT)	1

Item	Sub	Parts No.	Parts Description	Qty
116		942101-7	SPRING WASHER 5	1
117		931201-8	HEX. NUT M5	1
118		941202-8	FLAT WASHER 8	2
119		921411-5	HEX. BOLT M8X12	2
120		911274-7	PAN HEAD SCREW M5X50	4
A01		AL00000086	WRENCH 10-13-17	1
A02		AL00000087	WRENCH 8-24	1
A04		A-47254	GRINDING WHEEL(BENCH,205)	1
A04-1		B-51976	GRINDING WHEEL (BENCH,205)	1
A05		A-47260	GRINDING WHEEL (BENCH,205)	1
F01		AL00000147	SAFETY GOGGLES	1