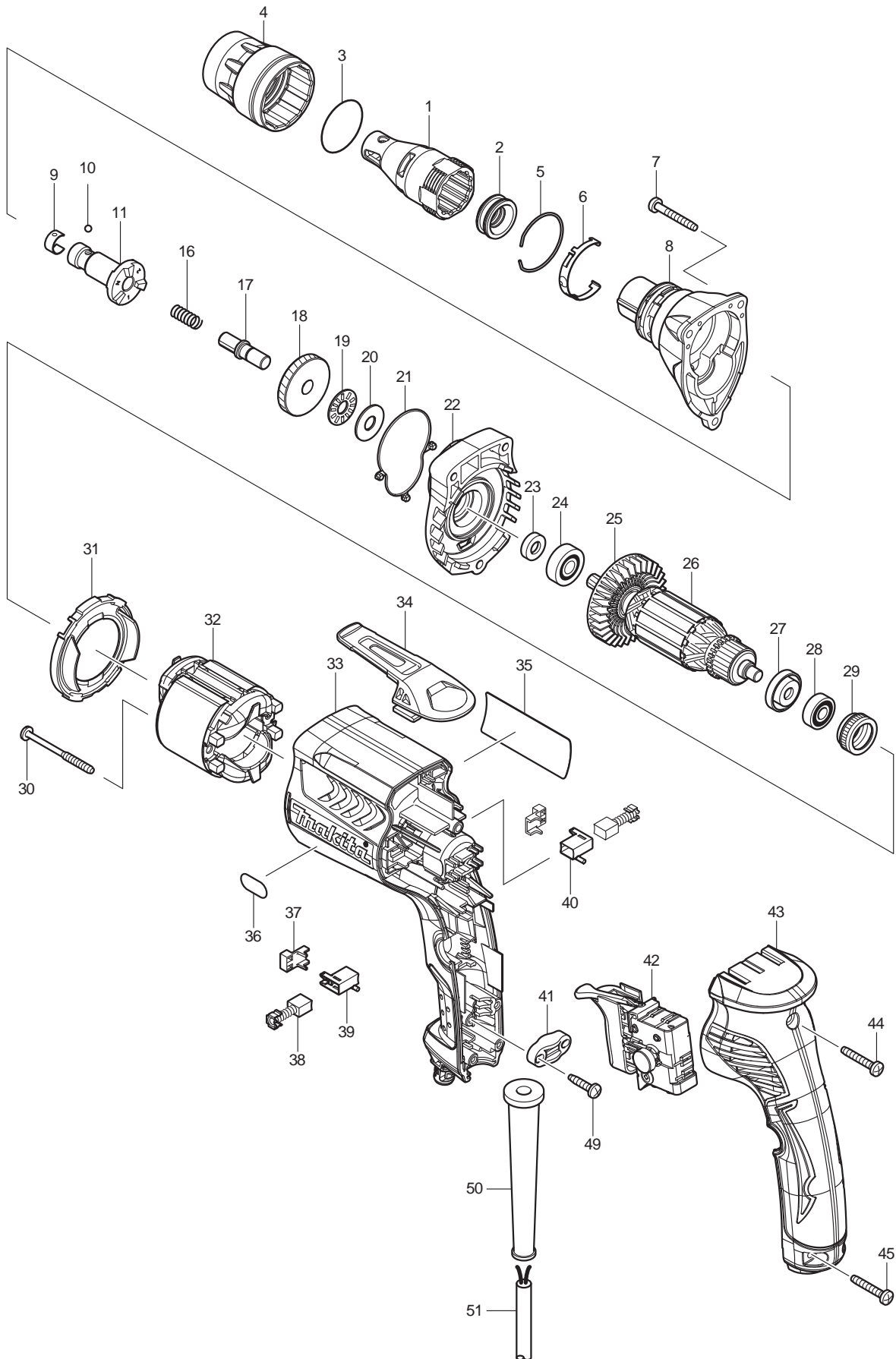




08 - 2010

FS4000

1/4" DRYWALL SCREWDRIVER



Item No	Type	Ref	Part No	Description	Qty	Unit
1			158876-0	LOCATOR L COMPLETE	1	PC.
2			424163-2	DUST SEAL SLEEVE	1	PC.
3			424235-3	SEAL RING 30	1	PC.
4			450881-6	LOCK RING	1	PC.
5			233974-2	RING SPRING 33	1	PC.
6			232245-4	LEAF SPRING	1	PC.
7			266361-0	TAPPING SCREW 4X30	3	PC.
8			158883-3	GEAR HOUSING HP COMPLETE	1	PC.
9			232050-9	LEAF SPRING	1	PC.
10			216001-0	STEEL BALL 3.5	1	PC.
11			324983-3	SPINDLE 125N	1	PC.
16			233126-5	COMPRESSION SPRING 6	1	PC.
17			268229-6	COLLARED PIN 8	1	PC.
18		1	226687-2	HELICAL GEAR 41N	1	PC.
		2	227769-3	HELICAL GEAR 41N	1	PC.
19			216415-3	THRUST NEEDLE GAUGE 821	1	PC.
20			216212-7	WASHER 821	1	PC.
21			424162-4	SEAL RING	1	PC.
22			158874-4	GEAR HOUSING COVER COMPLETE	1	PC.
23			451099-2	RING 7	1	PC.
24			210007-0	BALL BEARING 608VV	1	PC.
25			240083-0	FAN 52	1	PC.
26			515756-7	ARMATURE ASSEMBLY 115V	1	PC.
		INC.		Item No. 23-25, 27, 28	1	PC.
27			681636-0	INSULATION WASHER	1	PC.
28			210062-2	BALL BEARING 607ZZ	1	PC.
29			421868-5	LABYRINTH RUBBER RING 19	1	PC.
30			266467-4	TAPPING SCREW 4X50	2	PC.
31			450880-8	BAFFLE PLATE	1	PC.
32			633691-8	FIELD 115V	1	PC.
33			450884-0	MOTOR HOUSING S2	1	PC.
34			162272-6	HOOK	1	PC.
35			866602-0	FS4000 NAME PLATE	1	PC.
36			808575-1	4000RPM INDICATION LABEL	1	PC.
37			689111-0	SPACER	2	PC.
38			195007-0	CARBON BRUSH CB-407 2PC/SET, W/O ORIGIN	1	SET
39			643948-9	BRUSH HOLDER	1	PC.
40			643951-0	BRUSH HOLDER	1	PC.
41			687123-7	STRAIN RELIEF	1	PC.
42			650614-1	SWITCH	1	PC.
43			158877-8	HANDLE COVER S COMPLETE	1	PC.
		INC.	263002-9	RUBBER PIN 4	2	PC.
44			266374-1	TAPPING SCREW 4X25	1	PC.
45			266374-1	TAPPING SCREW 4X25	2	PC.
49			265995-6	TAPPING SCREW 4X18	2	PC.
50			682559-5	CORD GUARD 8	1	PC.
51			664891-9	CORD WITH PLUG 2P-18-2.5M SJ	1	PC.
53			423413-2	* RUBBER PLATE (Added)	1	PC.
100			654121-6	TAB	4	PC.
101			654593-5	SPLICE	6	PC.
200			870059-9	CARTON	1	PC.

Item No	Type	Ref	Part No	Description	Qty	Unit
<u>ACCESSORIES</u>						
- See catalogue or visit www.makita.ca for more optional accessories -						
A01			784801-1	MAGNETIC BIT HOLDER 6.35-76	1	PC.
			784807-9	MAGNETIC BIT HOLDER 6.35-60	1	PC.
A02			784211-2	PHILLIPS INSERT BIT 2-25	2	PC.
			784212-0	PHILLIPS INSERT BIT 1-25	1	PC.
			784213-8	PHILLIPS INSERT BIT 3-25	1	PC.
A03			824890-5	PLASTIC CARRYING CASE	1	PC.
		INC.	163455-1	LATCH	2	PC.
		INC.	419360-3	HANDLE	1	PC.

SERVICE CHANGES

1. Addition of Rubber Plate

(T/I# 86789)

Item No.	Description	Type1	Type2
53	Rubber Plate	-----	423413-2

