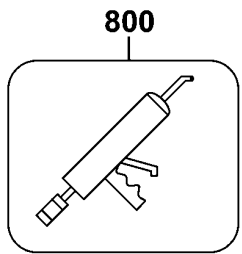
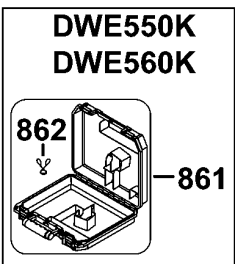
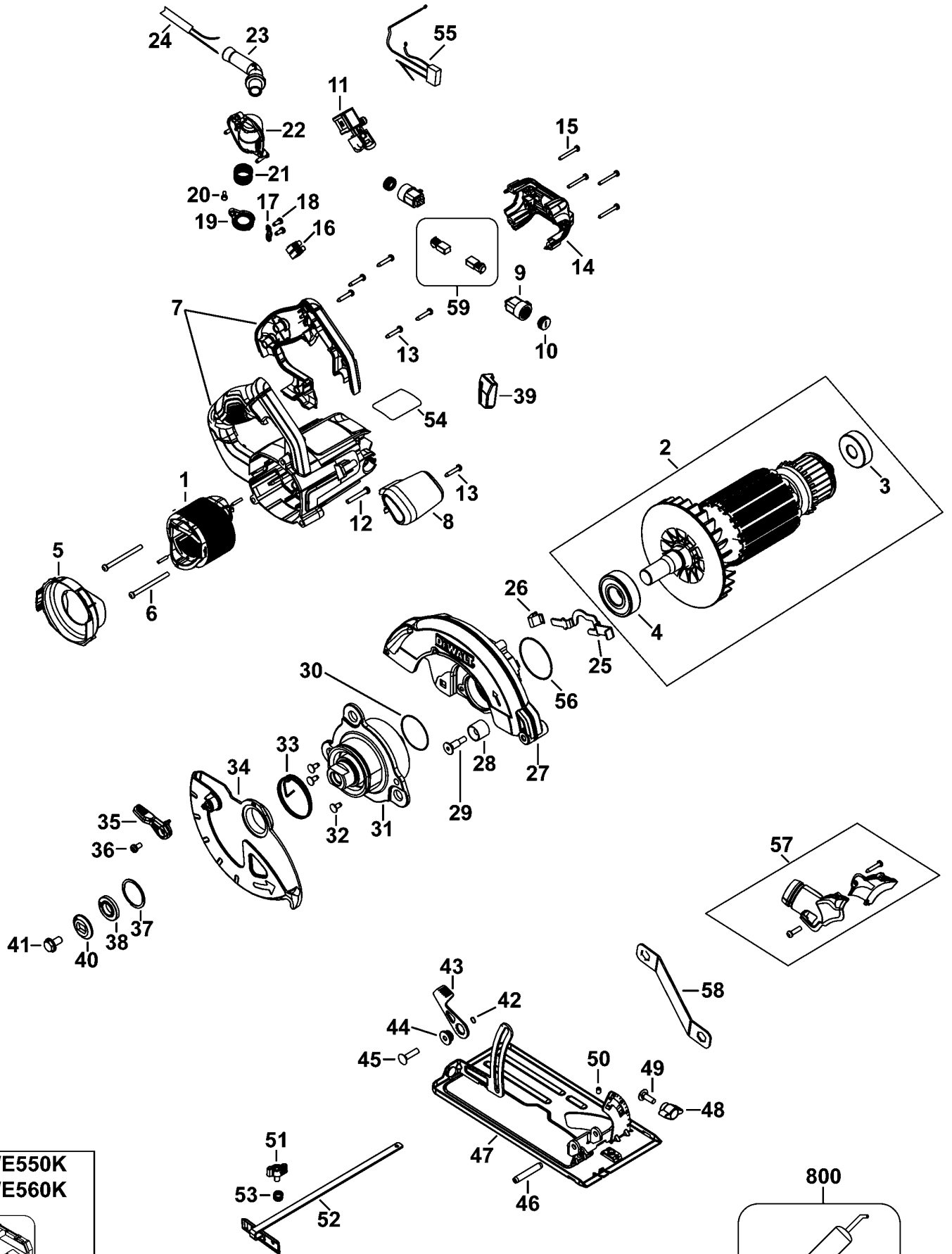


DWE560 CIRCULAR SAW 1



Parts List DWE560 CIRCULAR SAW 1

Item	Part Number	Qty	Part Description	General Description	Other Info	Repair Inst	Markets
1	N178802	1	FIELD SA 230V			No	QS
2	N178804	1	ARMATURE SA			No	QS
3	N110359	1	BEARING			No	QS
4	N472554	1	BEARING			No	QS
5	N083602	1	BAFFLE			No	QS
6	330019-19	2	SCREW			No	QS
7	N112960	1	FIELD CASE SA			No	QS
8	N086362	1	HANDLE			No	QS
9	N024450	2	BRUSH HOLDER			No	QS
10	N024448	2	BRUSH CAP			No	QS
11	N092201	1	SWITCH			No	QS
12	330045-20	1	SCREW			No	QS
13	330065-31	6	PLASTIC SCREW			No	QS
14	N083601	1	END CAP			No	QS
15	330065-27	4	SCREW			No	QS
16	320078-00	1	TERMINAL BLOCK			No	QS
17	821070	1	CORD CLAMP			No	QS
18	N017542	2	PLASTIC SCREW			No	QS
19	N105376	1	PROTECTOR			No	QS
20	330019-02	1	SCREW			No	QS
21	N083610	1	SPRING			No	QS
22	N102412	1	HOLDER			No	QS
23	N083609	1	CORD PROTECTOR			No	QS
24	N114589	1	CORDSET (EURO)			No	QS
25	N083584	1	SPINDLE LOCK			No	QS
26	N130051	1	SPRING			No	QS
27	N177902	1	GEARCASE SA			No	QS
28	381066-00	1	BUMPER			No	QS
29	N086355	1	SCREW			No	QS
30	N134472	1	O RING			No	QS
31	N183366	1	SPINDLE SA			No	QS
32	385915-04	3	SCREW			No	QS

Parts List DWE560 CIRCULAR SAW 1

Item	Part Number	Qty	Part Description	General Description	Other Info	Repair Inst	Markets
33	N083599	1	SPRING			No	QS
34	N083598	1	GUARD LOWER			No	QS
35	N086628	1	LEVER			No	QS
36	098094-13	1	SCREW			No	QS
37	N152544	1	RETAINER			No	QS
38	N112958	1	INNER FLANGE			No	QS
39	N191811	1	RUBBER SEAL			No	QS
40	145343-01	1	WASHER OUTER CLAMP			No	QS
41	145344-00	1	SCREW			No	QS
42	152211-00	1	RING			No	QS
43	145347-00	1	LEVER			No	QS
44	N111116	1	NUT			No	QS
45	N143277	1	CARRIAGE BOLT			No	QS
46	389562-00	1	PIN			No	QS
47	N136649	1	SHOE SA			No	QS
48	N116044	1	WING NUT			No	QS
49	N038133	1	BOLT			No	QS
50	N094309	1	SCREW			No	QS
51	N116069	1	KNOB			No	QS
52	N083612	1	FENCE			No	QS
53	N170858	1	SPRING			No	QS
54	NA131911	1	RATING LABEL			No	QS
55	N106861	1	CAPACITOR			No	QS
56	N100358	1	O RING			No	QS
57	N195215	1	DUST PORT			No	QS
58	N035355	1	SPANNER			No	QS
59	N179042	1	BRUSH PAIR 230V			No	QS
800	583534-00	1	GREASE	50 GRAMS - NYE RHEOL		No	QS
861	N044228	1	KITBOX			No	QS
862	605265-00	1	SPRING CLIP			No	QS