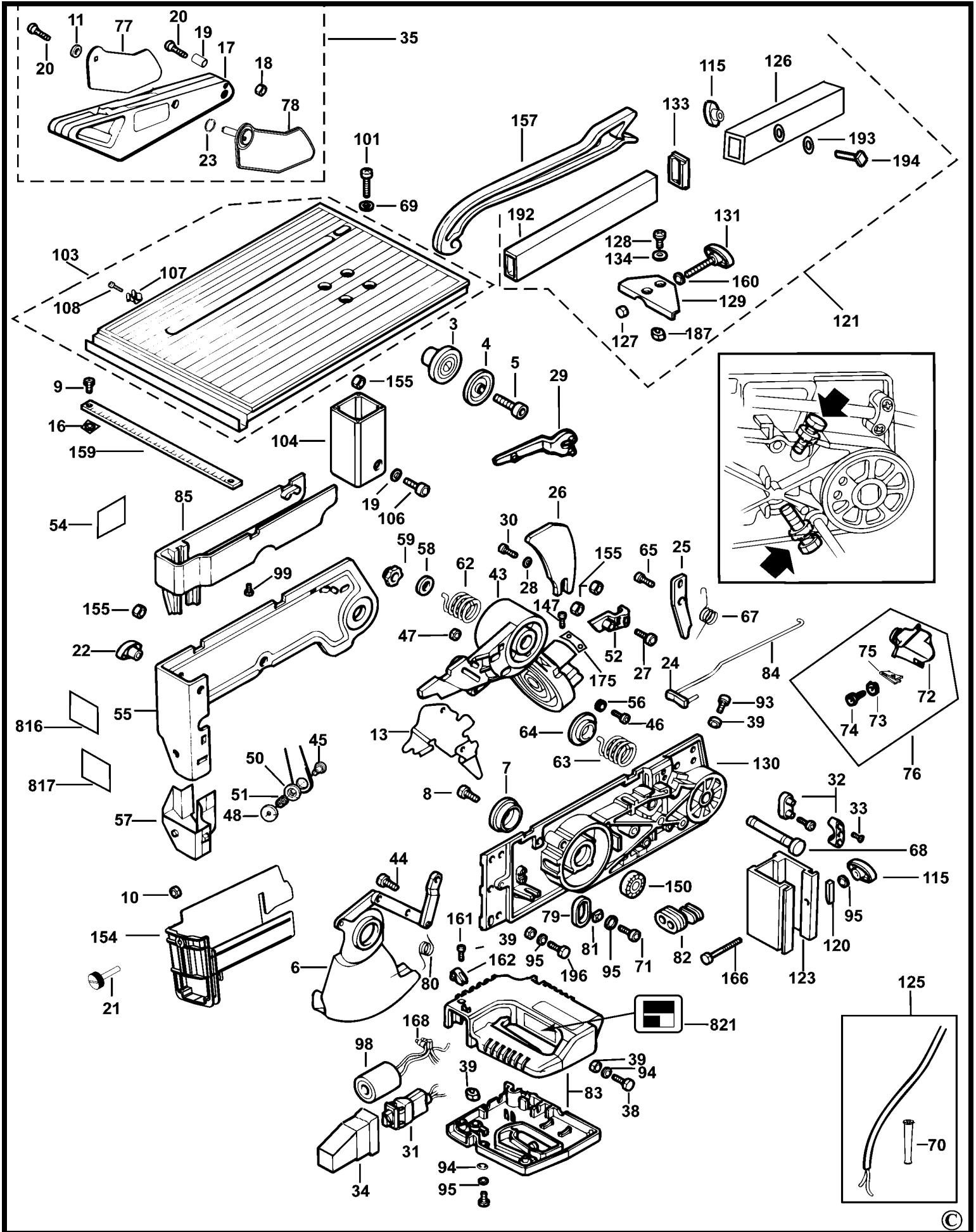
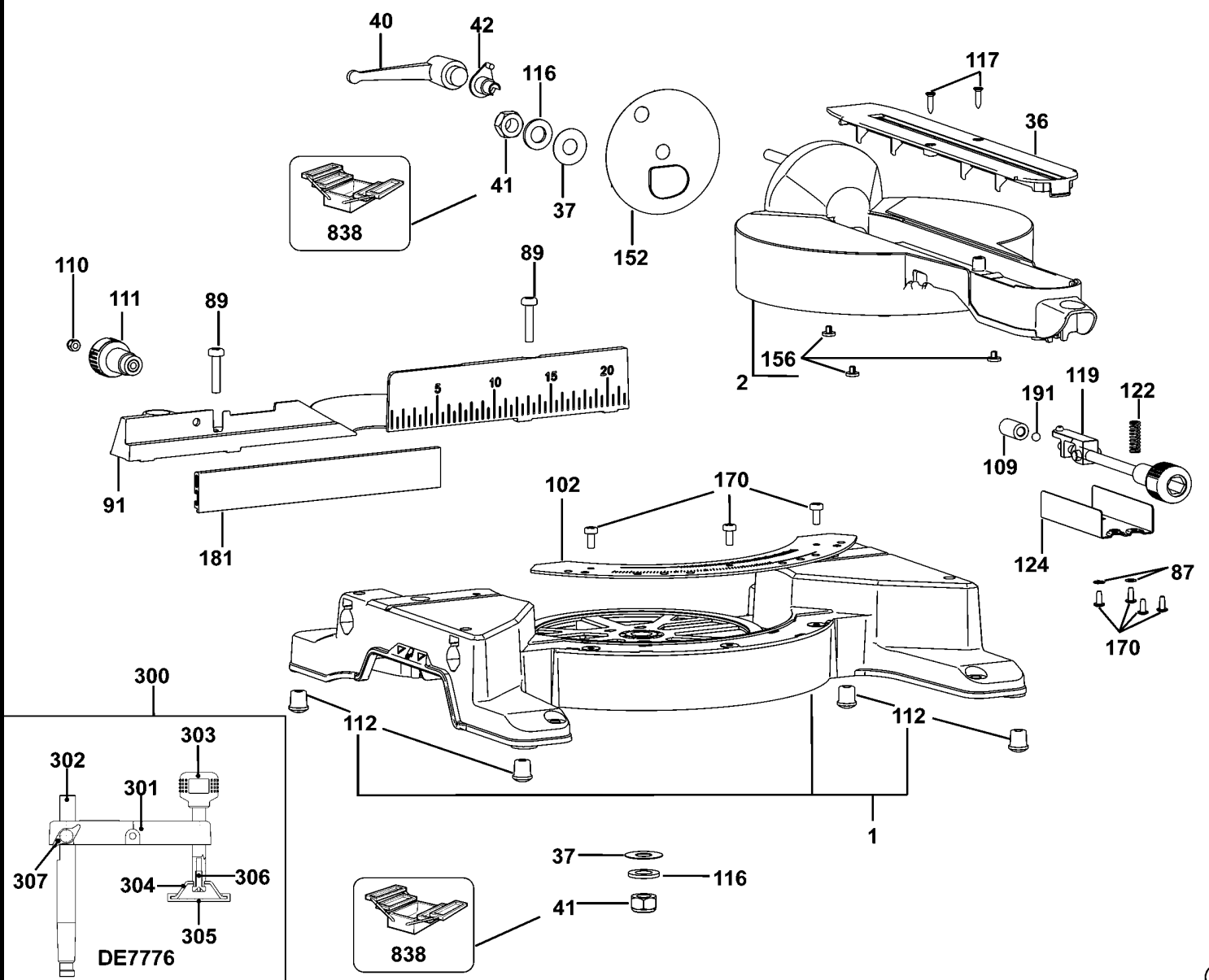
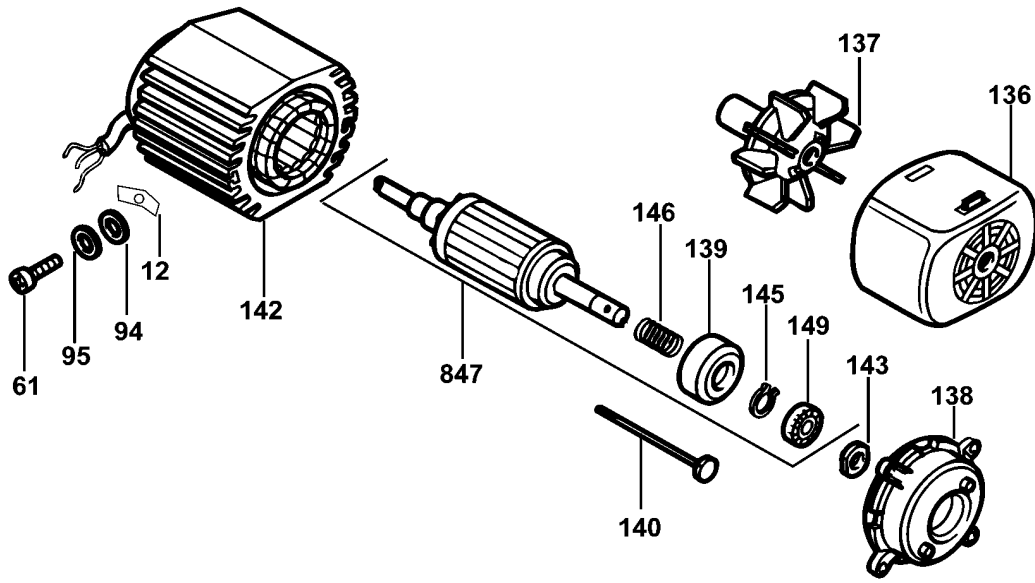


DW711 Table MITRE SAW 7



DW711 Motor & table MITRE SAW 7



Parts List DW711 TABLE SAW 7

Item	Part Number	Qty	Part Description	General Description	Other Info	Repair Inst	Markets
1	869313-00	1	TABLE SA			No	QS
2	N717627	1	TABLE ROTARY			No	QS
3	861057-01	1	INNER FLANGE			No	QS
4	861056-00	1	OUTER FLANGE			No	QS
5	949886-21	1	BOLT			No	QS
6	864693-04	1	GUARD SA			No	QS
7	863039-02	1	HUB			No	QS
8	330045-49	2	SCREW			No	QS
9	930085-00	2	SCREW			No	QS
10	860092-00	1	NUT			No	QS
11	860075-01	1	WASHER			No	QS
12	949761-01	2	WASHER			No	QS
13	861918-04	1	GUARD			No	QS
16	943025-00	1	PLATE			No	QS
17	N162669	1	GUARD UPPER			No	QS
18	860092-00	1	NUT			No	QS
19	N059524	1	SPACER			No	QS
20	860093-06	1	SCREW			No	QS
20	860093-05	1	SCREW.TEMP			No	QS
21	N060228	1	KNOB			No	QS
22	861464-00	1	KNOB			No	QS
23	N056486	1	SPRING			No	QS
24	861953-00	1	CAP			No	QS
25	863610-00	1	PLATE			No	QS
26	861919-01	1	RIVING KNIFE			No	QS
27	949886-16	1	SCREW			No	QS
28	860074-03	1	WASHER			No	QS
29	939072-00	1	SPANNER			No	QS
30	860093-00	1	SCREW			No	QS
31	N060327	1	SWITCH			No	QS
32	861692-00	1	CLAMP			No	QS
33	949889-02	2	SCREW			No	QS

Parts List DW711 TABLE SAW 7

Item	Part Number	Qty	Part Description	General Description	Other Info	Repair Inst	Markets
34	868320-00	1	COVER			No	QS
35	N174180	1	GUARD SA			No	QS
36	868688-01	1	INSERT			No	QS
37	949705-01	2	WASHER			No	QS
38	860085-09	1	SCREW.TEMP			No	QS
39	860083-12	2	NUT M6			No	QS
40	861840-03	1	LEVER			No	QS
41	860092-07	2	NUT			No	QS
42	868680-00	1	INSERT			No	QS
43	861913-02	1	SEGMENT SA			No	QS
44	863262-00	1	SCREW			No	QS
45	863046-00	1	LOCK SCREW			No	QS
46	860093-07	1	SCREW			No	QS
47	860083-04	1	NUT			No	QS
48	863047-00	1	CAP			No	QS
50	863048-00	1	BUSH			No	QS
51	949722-18	1	SPRING			No	QS
52	862075-01	1	SPACER			No	QS
54	N062687	1	LABEL			No	QS
55	869374-00	1	FRAME			No	QS
56	863599-02	1	SPACER			No	QS
57	861920-00	1	SPACER			No	QS
58	949761-02	1	SHIM			No	QS
59	949759-01	1	LOCK NUT			No	QS
61	930076-00	2	SCREW			No	QS
62	863606-00	1	SPRING LH			No	QS
63	863590-00	1	SPRING RH			No	QS
64	863611-00	1	SHIM			No	QS
65	863602-00	1	SCREW			No	QS
67	863604-01	2	SPRING			No	QS
68	863607-00	1	PIN			No	QS
69	860074-01	1	WASHER			No	QS

Parts List DW711 TABLE SAW 7

Item	Part Number	Qty	Part Description	General Description	Other Info	Repair Inst	Markets
70	868520-00	1	CORD PROTECTOR			No	QS
71	860094-02	2	SCREW			No	QS
72	868478-00	1	DUST EXTRACTOR			No	QS
73	939625-00	1	WASHER			No	QS
74	860084-21	1	SCREW			No	QS
75	865410-00	1	FASTENER			No	QS
76	868478-00	1	DUST EXTRACTOR			No	QS
77	N162668	1	GUARD PLATE			No	QS
78	N164679	1	GUARD PLATE			No	QS
79	863026-00	1	GASKET			No	QS
80	863604-01	1	SPRING			No	QS
81	944650-00	1	WASHER SPRING			No	QS
82	863573-00	1	INLET			No	QS
83	862429-05	1	HANDLE & COVER			No	QS
84	863613-01	1	ROD			No	QS
85	402803-02	1	GUARD UPPER			No	QS
87	860073-00	2	WASHER			No	QS
89	330045-26	1	SCREW			No	QS
91	N783370	1	FENCE			No	QS
93	860084-09	1	SCREW			No	QS
94	863025-00	1	SHEATH			No	QS
95	860075-00	1	WASHER			No	QS
98	949772-23	1	CAPACITOR			No	QS
99	860094-03	1	SCREW			No	QS
101	860084-22	1	SCREW			No	QS
102	868677-00	1	SCALE			No	QS
103	869189-02	1	TABLE SA			No	QS
103	869189-02	1	TABLE SA			No	QS
104	402801-00	1	BRACKET			No	QS
106	949886-16	1	SCREW			No	QS
107	391358-01	1	HOLDER			No	QS
108	720688-02	1	SCREW			No	QS

Parts List DW711 TABLE SAW 7

Item	Part Number	Qty	Part Description	General Description	Other Info	Repair Inst	Markets
109	868707-01	1	BUSH			No	QS
110	860092-03	1	NUT M5			No	QS
111	869195-00	1	KNOB			No	QS
112	868777-00	4	FOOT			No	QS
114	N299799	2	BUSH		FROM	No	QS
115	861464-00	1	KNOB		DCODE WK1 2014	No	QS
116	860073-05	2	WASHER			No	QS
117	860205-08	2	SCREW			No	QS
119	868943-02	1	LOCKING DEVICE		TO DCODE	No	QS
119	N315680	1	LEVER LOCK		WK52 2013 FROM	No	QS
120	861748-00	1	PLASTIC INSERT		DCODE WK1 2014	No	QS
121	861982-00	1	FENCE SA			No	QS
122	868778-00	1	SPRING			No	QS
123	402800-01	1	BRACKET			No	QS
124	868737-00	1	PLATE		TO DCODE	No	QS
125	868313-10	1	CORDSET		WK52 2013	No	QS
126	861422-02	1	FENCE			No	QS
127	861453-00	1	SPACER			No	QS
128	949886-11	2	SCREW			No	QS
129	861421-01	1	SUPPORT			No	QS
130	862180-08	1	SUPPORT BRACKET			No	QS
131	861452-00	1	KNOB			No	QS
133	861423-00	2	END CAP			No	QS
134	860073-14	2	WASHER			No	QS
136	860445-00	1	COVER			No	QS
137	945841-00	1	FAN			No	QS
138	861345-00	1	HOUSING SA			No	QS
139	861336-02	1	BRAKE			No	QS
140	863015-00	1	TIE ROD			No	QS
142	868412-04	1	STATOR SA 230V			No	QS
143	860080-02	1	RING			No	QS
145	861349-00	1	CIRCLIP			No	QS

Parts List DW711 TABLE SAW 7

Item	Part Number	Qty	Part Description	General Description	Other Info	Repair Inst	Markets
146	861338-00	1	SPRING			No	QS
147	949894-12	2	SCREW			No	QS
149	868768-07	1	BEARING			No	QS
150	861721-12	1	BEARING			No	QS
152	947614-00	1	PLATE			No	QS
154	N058265	1	GUARD			No	QS
155	860083-04	2	NUT			No	QS
156	760298-01	3	INSERT			No	QS
157	860610-01	1	PUSHROD			No	QS
159	861923-00	1	SCALE			No	QS
160	941535-00	1	NUT			No	QS
161	860084-03	1	SCREW			No	QS
162	123106-00	1	STRAP			No	QS
166	949702-42	1	SCREW			No	QS
168	861257-00	1	CONNECTOR			No	QS
170	330045-49	7	SCREW			No	QS
175	946862-01	1	SCALE			No	QS
181	868743-03	1	FENCE			No	QS
187	860083-13	2	NUT			No	QS
191	868708-00	1	BALL			No	QS
192	861978-00	1	FENCE			No	QS
193	860073-08	2	WASHER			No	QS
194	931997-00	1	SCREW			No	QS
196	949743-02	2	SCREW			No	QS
200	868682-00	1	HEX KEY		4/6mm	No	QS
201	930574-00	1	HEX KEY 5 MM			No	QS
300	869311-00	1	CLAMP SA			No	QS
301	869306-00	1	ARM			No	QS
302	869307-00	1	SHAFT			No	QS
303	869308-00	1	KNOB			No	QS
304	630068-00	1	SUPPORT			No	QS
305	630085-00	1	GRIP			No	QS

Parts List DW711 TABLE SAW 7

Item	Part Number	Qty	Part Description	General Description	Other Info	Repair Inst	Markets
306	330045-55	1	SCREW			No	QS
307	326573-01	1	SCREW WING			No	QS
816	325559-00	1	BRAND LABEL			No	QS
817	N058264	1	LABEL			No	QS
821	N504474	1	RATING PLATE			No	QS
838	559570-99	1	SOCKET			No	QS
847	868411-01	1	ROTOR SA			No	QS