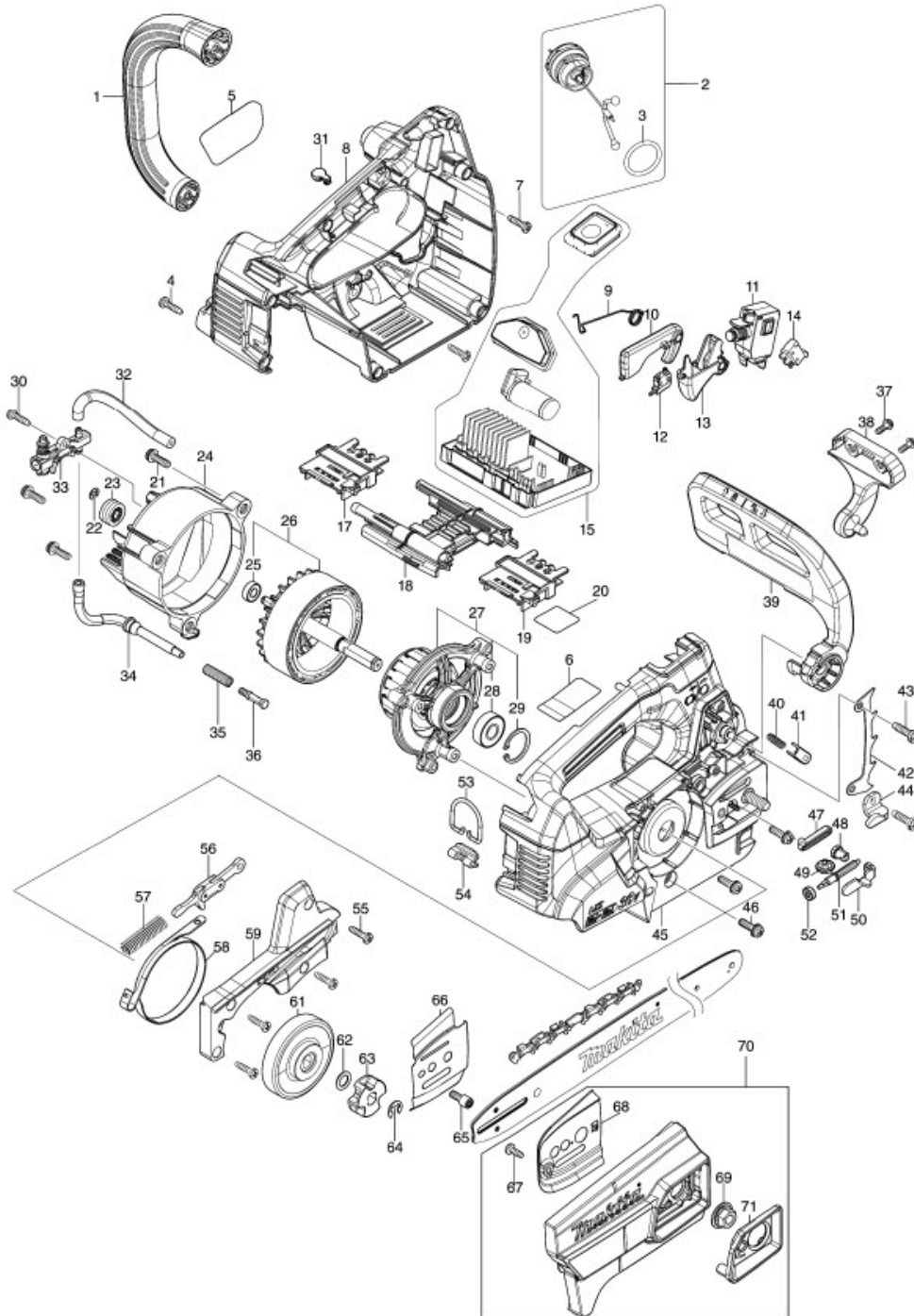


Part Diagram

Model No.DUC406 400MM CORDLESS CHAIN SAW



Item	Sub	Parts No.	Parts Description	Qty
1		459275-2	FRONT HANDLE	1
2		126832-8	TANK CAP ASSEMBLY	1
2	D10		INC. 3	
3		213355-6	O-RING 25	1
003-1		213894-6	O-RING 25	1
4		266326-2	TAPPING SCREW 4X18	9
5		819S65-3	DUC406 MODEL NO. LABEL	1
6		856A53-1	DUC406 NAME PLATE	1
7		266326-2	TAPPING SCREW 4X18	2
8		183N15-7	HOUSING SET	1
8	C10	263005-3	RUBBER PIN 6	2
8	C20	424170-5	VALVE	1
8	C30	454724-4	SINTER INSERT	1
8	D10		INC. 45	
9		232509-6	TORSION SPRING 10	1
10		459268-9	CATCH LEVER	1
11		651365-9	SWITCH C3JW-6BM-P	1
12		632L49-0	SWITCH UNIT	1
13		459267-1	SWITCH LEVER	1
14		632L48-2	SWITCH UNIT	1
15		140K84-3	CONTROLLER COMPLETE	1
15	C10	819R38-0	INDICATION LABEL	1
15	C20	819S81-5	SWITCH LABEL	1
17		643874-2	TERMINAL	1
18		140K81-9	CENTER CASE COMPLETE	1
18	C10	263005-3	RUBBER PIN 6	2
018-1		140V36-0	CENTER CASE COMPLETE	1
018-1	C10	263005-3	RUBBER PIN 6	2
19		643874-2	TERMINAL	1
20		856A57-3	DUC406 SERIAL NO. LABEL	1
21		911228-4	PAN HEAD SCREW M5X18	3
22		961011-9	STOP RING E-4	1
23		226884-0	WORM GEAR	1
24		459276-0	MOTOR HOUSING	1
25		210026-6	BALL BEARING 696ZZ	1
26		519576-1	ROTOR ASS'Y	1
26	D10		INC. 25	
27		529420-4	STATOR ASS'Y	1
27	D10		INC. 28,29	
28		210059-1	BALL BEARING 6000DDW	1
29		962105-3	RETAINING RING R-26	1
30		266326-2	TAPPING SCREW 4X18	1
31		422467-6	CAP	1
32		422451-1	OIL TUBE 3-100	1
33		142156-4	OIL PUMP COMPLETE	1
033-1		142156-4	OIL PUMP COMPLETE	1
34		422452-9	OIL TUBE 3-130	1
35		231975-4	SPRING	1
36		452666-6	NIPPLE	1
37		911118-1	PAN HEAD SCREW M4X12	2
38		459270-2	FRONT HAND GUARD RETAINER	1
39		140M05-7	FRONT HAND GUARD COMPLETE	1
39	C10	819S76-8	CAUTION LABEL	1
40		234210-9	COMPRESSION SPRING 3	1
41		313212-9	HAND GUARD GUIDE	1
42		346809-9	SPIKE BUMPER	1
43		266420-0	TAPPING SCREW 5X20	1
44		347516-7	CHAIN CATCHER	1

Item	Sub	Parts No.	Parts Description	Qty
45		183N15-7	HOUSING SET	1
45	C10	263005-3	RUBBER PIN 6	2
45	C20	424170-5	VALVE	1
45	C30	454724-4	SINTER INSERT	1
45	D10		INC. 8	
46		911228-4	PAN HEAD SCREW M5X18	3
47		422466-8	GROMET	1
48		227620-7	DRIVE GEAR	1
49		227634-6	STRAIGHT BEVEL GEAR 14	1
50		347517-5	TENSION SLIDE	1
51		327317-9	ADJUST SCREW	1
52		227496-2	STRAIGHT BEVEL GEAR 14	1
53		281222-3	HOOK	1
54		347514-1	HOOK SUPPORT	1
55		266326-2	TAPPING SCREW 4X18	4
56		140A74-6	LINK PLATE COMPLETE	1
57		232452-9	COMPRESSION SPRING 7	1
58		347515-9	BRAKE BAND COMPLETE	1
59		459273-6	HOUSING R COVER	1
61		162638-0	BRAKE DRUM COMPLETE	1
62		213060-5	O RING 10	1
63		221464-7	SPROCKET 6	1
64		961013-5	STOP RING E-7	1
65		266905-6	H.L. SOCKET HEAD BOLT M5X12	1
66		347533-7	GUIDE PLATE L	1
67		266427-6	TAPPING SCREW 4X12	1
68		347534-5	GUIDE PLATE R	1
69		162494-8	FLANGE NUT COMPLETE	1
70		136138-6	SPROCKET COVER ASS'Y	1
70	D10		INC. 67-69,71	
71		459278-6	NUT COVER	1
A01		165247-4	GUIDE BAR 16	1
A01-1		165247-4	GUIDE BAR 16	1
A02		419242-9	CHAIN COVER	1
A03		196742-3	SAW CHAIN SET	1
A04		199897-3	OIL VESSEL SET	1
A05		782023-7	WRENCH 13-16	1
A06B		***DC18RD	DC18RD TWO PORT FAST CHARGER	1
A06B	D10		COMPO-PARTS	
A07B		197280-8	BATTERY BL1850B SET	2