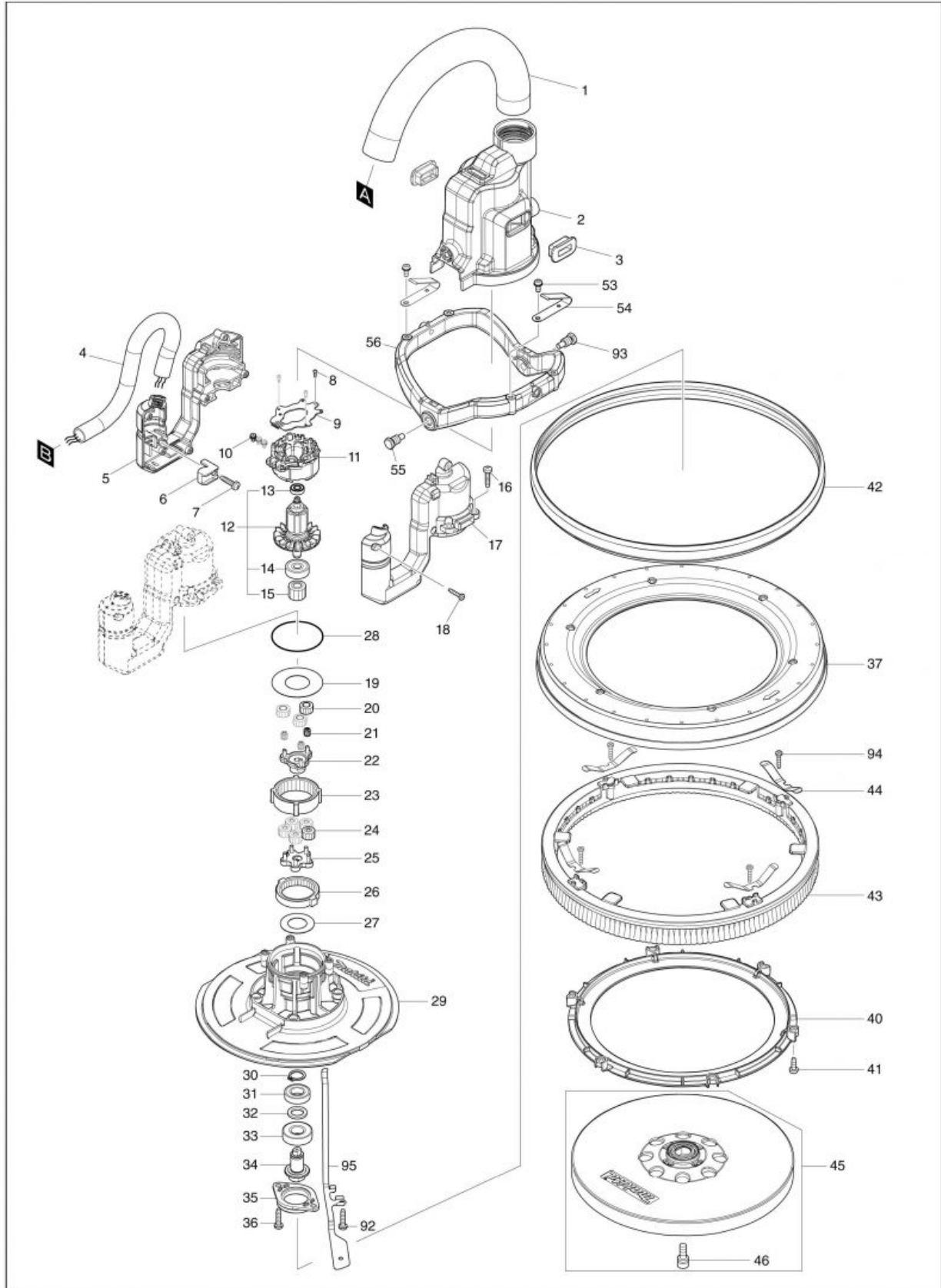
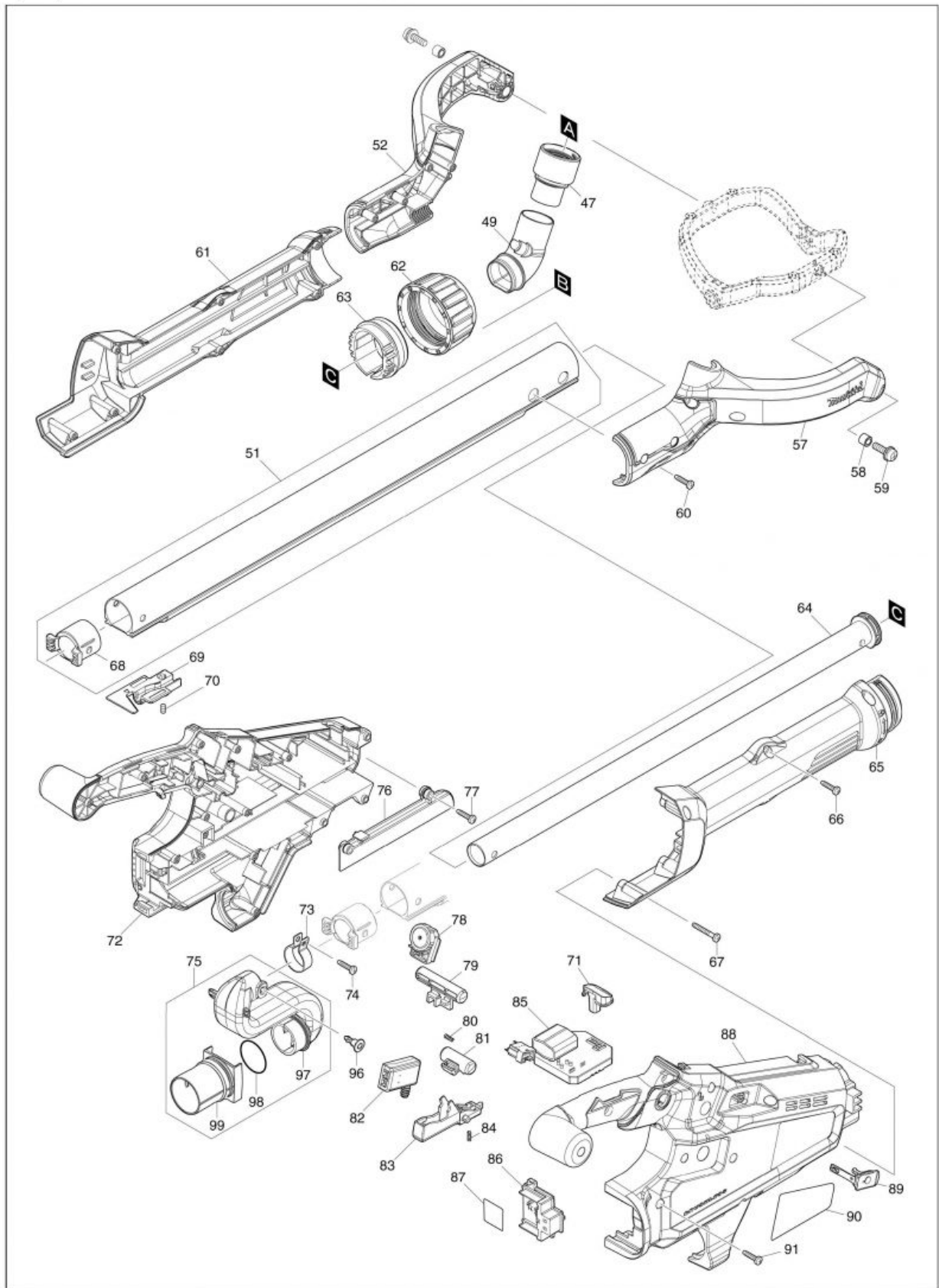


Part Diagram

(MY) DSL801 / 225MM CORDLESS DRYWALL SANDER



(MY) DSL801 / 225MM CORDLESS DRYWALL SANDER



Item	Sub	Parts No.	Parts Description	Qty
001		245058-4	HOSE 28-0.25	1
002		459217-6	HEAD COVER	1
002-1		413L14-6	HEAD COVER	1
003		422446-4	RUBBER CAP	2
004		699129-3	POWER SUPPLY CORD UNIT	1
005		183L77-3	MOTOR HOUSING SET	1
	D10		INC. 17	
006		687261-5	STRAIN RELIEF	1
007		265995-6	TAPPING SCREW 4X18	1
008		266490-9	TAPPING SCREW PT 2X6	3
009		620B02-8	CONTROLLER B	1
010		652069-6	FLAT HEAD SCREW M3X6	3
011		629409-3	STATOR	1
012		519567-2	ROTOR ASSY	1
	D10		INC. 13-15	
013		210039-7	BALL BEARING 695DDW	1
014		210023-2	BALL BEARING 627DDW	1
015		226888-2	SPUR GEAR 19	1
016		265995-6	TAPPING SCREW 4X18	4
017		183L77-3	MOTOR HOUSING SET	1
	D10		INC. 5	
018		266429-2	TAPPING SCREW 3X16	6
018-1		266130-9	TAPPING SCREW BIND PT 3X16	6
019		253437-2	FLAT WASHER 23	1
020		226886-6	SPUR GEAR 14	3
021		212131-5	NEEDLE CAGE 307	3
022		140J82-1	SPUR GEAR 17 COMPLETE	1
023		226890-5	INTERNAL GEAR 47	1
024		226885-8	SPUR GEAR 13	5
025		140J81-3	CARRIER COMPLETE	1
026		226889-0	INTERNAL GEAR 43	1
027		267789-5	FLAT WASHER 18	1
028		213606-7	O RING 48	1
029		413828-1	GEAR HOUSING	1
030		961052-5	RETAINING RING (EXT) S-12	1
031		211150-8	BALL BEARING 6901ZZ	1
032		253746-9	FLAT WASHER 12	1
033		210105-0	BALL BEARING 6001LLU	1
034		327318-7	SPINDLE	1
035		319823-8	BEARING RETAINER 47	1
036		265995-6	TAPPING SCREW 4X18	2
037		413488-9	COVER	1
	C10	931102-0	HEX. NUT M4	6
040		413489-7	BRUSH STOPPER	1
041		911123-8	PAN HEAD SCREW M4X14	6
042		422729-2	RUBBER GUARD	1
043		743127-0	BRUSH	1
044		232510-1	LEAF SPRING	4
045		199939-3	PAD 210 SET	1
	D10		INC. 46	
046		922323-5	HEX.SOCKET HEAD BOLT M6X16	1
047		413490-2	HOSE CONNECTOR	1
049		422617-3	JOINT	1
051		140N60-5	PIPE A COMPLETE	1
	D10		INC. 68	
052		183T15-3	ARM SET	1
	D10		INC. 57	
053		911113-1	PAN HEAD SCREW M4X10 WITH WR	2

Item	Sub	Parts No.	Parts Description	Qty
054		232534-7	LEAF SPRING	2
055		265A35-6	HEX. BOLT M8X17	1
055-1		265A68-1	HEX. BOLT M8X22	1
056		319808-4	FRAME	1
057		183T15-3	ARM SET	1
	D10		INC. 52	
058		262561-0	SLEEVE 6	2
059		911334-5	PAN HEAD SCREW M6X20	2
060		265995-6	TAPPING SCREW 4X18	4
061		183L78-1	PIPE HOUSING SET	1
	D10		INC. 65	
062		459226-5	LOCK RING	1
063		140J84-7	LOCK SLEEVE COMPLETE	1
064		140L61-1	PIPE B COMPLETE	1
	C10	459225-7	PIPE STOPPER B	1
065		183L78-1	PIPE HOUSING SET	1
	D10		INC. 61	
066		265995-6	TAPPING SCREW 4X18	4
067		266050-7	TAPPING SCREW 4X30	3
068		459224-9	PIPE STOPPER A	1
069		459228-1	CORD HOLDER	1
070		913106-4	SET SCREW M4X8	1
071		140J83-9	INDICATOR PANEL COMPLETE	1
072		183L75-7	HANDLE SET	1
	C10	263005-3	RUBBER PIN 6	2
	D10		INC. 88	
073		346248-3	CLAMP 24	1
074		265995-6	TAPPING SCREW 4X18	1
075		127672-7	DUST NOZZLE ASSY	1
	D10		INC. 97-99	
076		459229-9	CORD COVER	1
077		265995-6	TAPPING SCREW 4X18	2
078		620796-3	DIAL CIRCUIT	1
079		459230-4	LOCK OFF BUTTON	1
080		231433-0	COMPRESSION SPRING 4	1
081		419705-5	LOCK ON BUTTON	1
082		651083-9	SWITCH C3XA-1PSPM	1
083		459231-2	SWITCH LEVER	1
084		231433-0	COMPRESSION SPRING 4	1
085		620B00-2	CONTROLLER	1
086		644809-6	TERMINAL	1
087		811L28-3	DSL801 SERIAL NO. LABEL	1
088		183L75-7	HANDLE SET	1
	C10	263005-3	RUBBER PIN 6	2
	D10		INC. 72	
089		140F99-0	CAP COMPLETE	1
	C10	213218-6	O RING 16	1
	C20	818H07-8	CAP LABEL	1
090		811L21-7	DSL801 NAME PLATE	1
091		265995-6	TAPPING SCREW 4X18	10
092		265995-6	TAPPING SCREW 4X18	4
093		265A68-1	HEX. BOLT M8X22	1
094		266429-2	TAPPING SCREW 3X16	4
094-1		266130-9	TAPPING SCREW BIND PT 3X16	4
095		347816-5	EARTH PLATE A	1
096		412987-8	RIVET 7	1
097		412812-3	DUST NOZZLE A	1
098		213459-4	O RING 32	1
099		412813-1	DUST NOZZLE B	1

Item	Sub	Parts No.	Parts Description	Qty
A01		B-68404	ABRASIVE PAPER DISC 225-120	1
A02		783217-7	HEX. WRENCH 5	1
A03		195638-5	TOOL BAG SET	1
A04		835B53-0	INNER TRAY	1
A05B		199393-1	WIRELESS UNIT SET	1
A05-1B		199393-1	WIRELESS UNIT SET	1
A05-2B		199393-1	WIRELESS UNIT SET	1