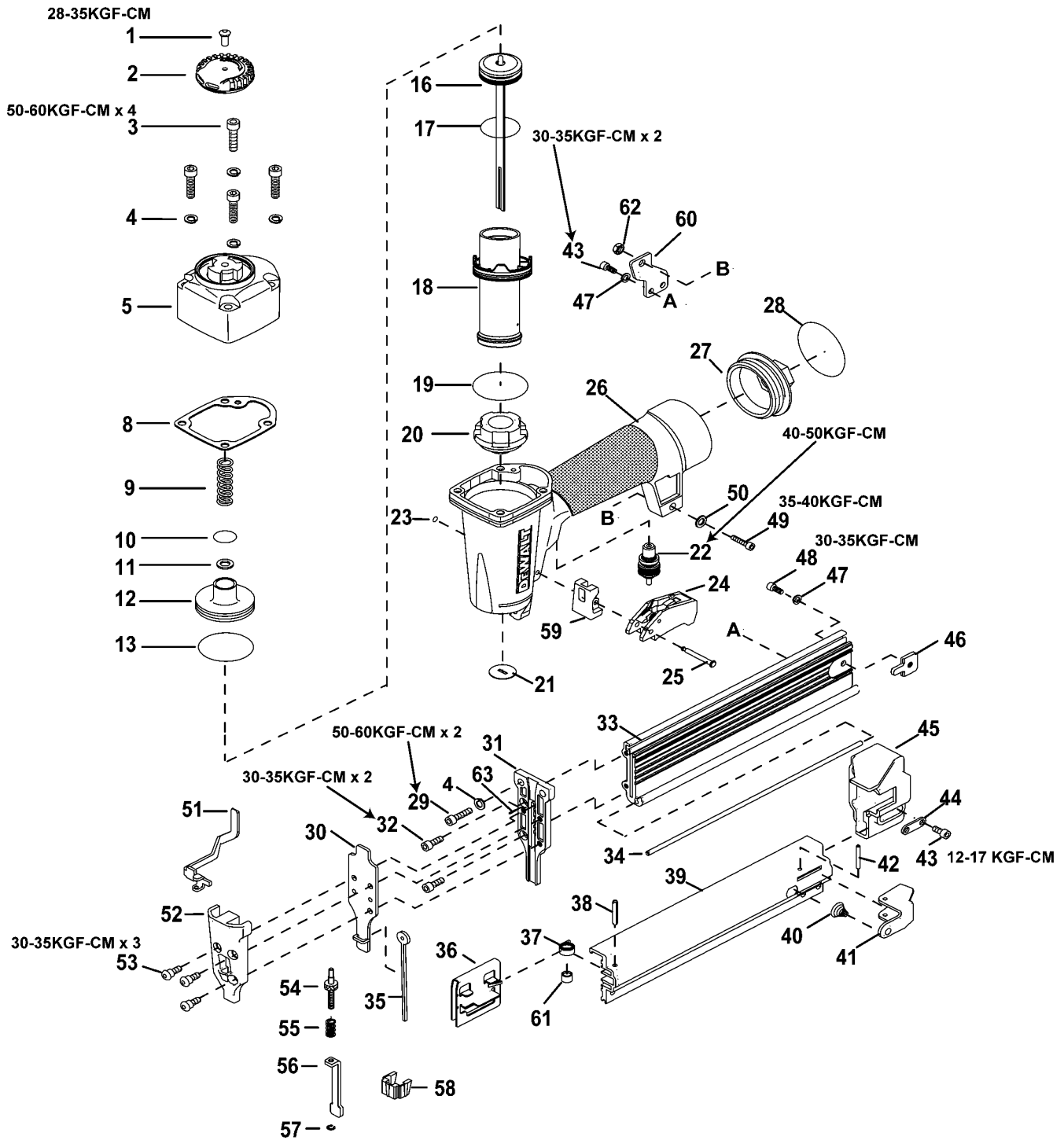


DPSB2IN1 STAPLER 1



Parts List DPSB2IN1 STAPLER 1

| Item | Part Number | Qty | Part Description | General Description | Other Info | Repair Inst | Markets |
|------|-------------|-----|------------------|---------------------|------------|-------------|---------|
| 1 | 9R206619 | 1 | SCREW | | | No | XJ |
| 2 | P0590000200 | 1 | COVER | | | No | XJ |
| 3 | 1A105401 | 4 | BOLT | | | No | XJ |
| 4 | 188750 | 6 | WASHER SPRING | D5 | | No | XJ |
| 5 | 9R209586 | 1 | CAP | | | No | XJ |
| 8 | P0590000400 | 1 | GASKET | | | No | XJ |
| 9 | 180447 | 1 | SPRING | | | No | XJ |
| 10 | S06P001500 | 1 | O RING | | | No | XJ |
| 11 | 1E10610 | 1 | WASHER | | | No | XJ |
| 12 | 180450-S | 1 | BODY | | | No | XJ |
| 13 | 180448 | 1 | O RING | | | No | XJ |
| 16 | G0201400-K | 1 | DRIVER | | | No | XJ |
| 17 | S06Z000900 | 1 | O RING | | | No | XJ |
| 18 | 188708 | 1 | CYLINDER | | | No | XJ |
| 19 | 851483-S | 1 | O RING | | | No | XJ |
| 20 | JA1111O1 | 1 | BUMPER | | | No | XJ |
| 21 | P0775201562 | 1 | GUIDE | | | No | XJ |
| 22 | 9R217674 | 1 | VALVE | | | No | XJ |
| 23 | 174073 | 1 | O RING | 2.05x2.62 | | No | XJ |
| 24 | PB2081A1 | 1 | TRIGGER | | | No | XJ |
| 25 | JA2071W1 | 1 | PIN | | | No | XJ |
| 26 | 9R217680 | 1 | FRAME | | | No | XJ |
| 27 | JA3612D1 | 1 | END CAP | | | No | XJ |
| 28 | 1FZ0019 | 1 | O RING | | | No | XJ |
| 29 | 9R199720 | 2 | SCREW | | | No | XJ |
| 30 | G2000501 | 1 | COVER | | | No | XJ |
| 31 | P0640000501 | 1 | GUIDE | | | No | XJ |
| 32 | 1A104163 | 2 | BOLT | | | No | XJ |
| 33 | P0640000663 | 1 | MAGAZINE | | | No | XJ |
| 34 | P0645200701 | 1 | GUIDE | | | No | XJ |
| 35 | P0645200462 | 1 | GUIDE ROD | | | No | XJ |
| 36 | P0645200862 | 1 | PUSHER | | | No | XJ |

Parts List DPSB2IN1 STAPLER 1

| Item | Part Number | Qty | Part Description | General Description | Other Info | Repair Inst | Markets |
|------|-------------|-----|------------------|---------------------|------------|-------------|---------|
| 36 | P0645200862 | 1 | PUSHER | | | No | XJ |
| 37 | P0640000900 | 1 | SPRING | | | No | XJ |
| 38 | 107583 | 1 | SPIROL PIN | | | No | XJ |
| 39 | P0640001001 | 1 | MAGAZINE | B; | | No | XJ |
| 40 | P0645201162 | 1 | SPRING | | | No | XJ |
| 41 | 9R209591 | 1 | LEVER | | | No | XJ |
| 42 | P0645201662 | 1 | PIN | | | No | XJ |
| 43 | S0110408100 | 2 | BOLT | | | No | XJ |
| 44 | JA450111 | 1 | COVER | | | No | XJ |
| 45 | P0640001300 | 1 | COVER REAR | | | No | XJ |
| 46 | P0645201401 | 1 | PLATE | | | No | XJ |
| 47 | 1D104 | 2 | WASHER SPRING | | | No | XJ |
| 47 | 1D104 | 2 | WASHER SPRING | | | No | XJ |
| 48 | S0110406100 | 1 | BOLT | | | No | XJ |
| 49 | S1210522100 | 1 | SCREW | | | No | XJ |
| 50 | 180569 | 1 | WASHER | | | No | XJ |
| 51 | JA507311 | 1 | ARM LINK | | | No | XJ |
| 52 | P0770002400 | 1 | SAFETY CAP | | | No | XJ |
| 53 | P0595202262 | 3 | SCREW | | | No | XJ |
| 54 | JA5161W1 | 1 | KNOB | | | No | XJ |
| 55 | JA5092S1 | 1 | SPRING | | | No | XJ |
| 56 | P0655100101 | 1 | CONTACT | Safety A | | No | XJ |
| 57 | 1I1020 | 1 | CLIP | | | No | XJ |
| 58 | 9R209590 | 1 | PAD | | | No | XJ |
| 59 | P0590007400 | 1 | GUIDE | | | No | XJ |
| 60 | P0655100201 | 1 | HOOK | | | No | XJ |
| 61 | P0645201701 | 1 | BUSHING | | | No | XJ |
| 62 | 174065 | 1 | LOCK-NUT | | | No | XJ |
| 63 | S0801008000 | 1 | PIN | | | No | XJ |