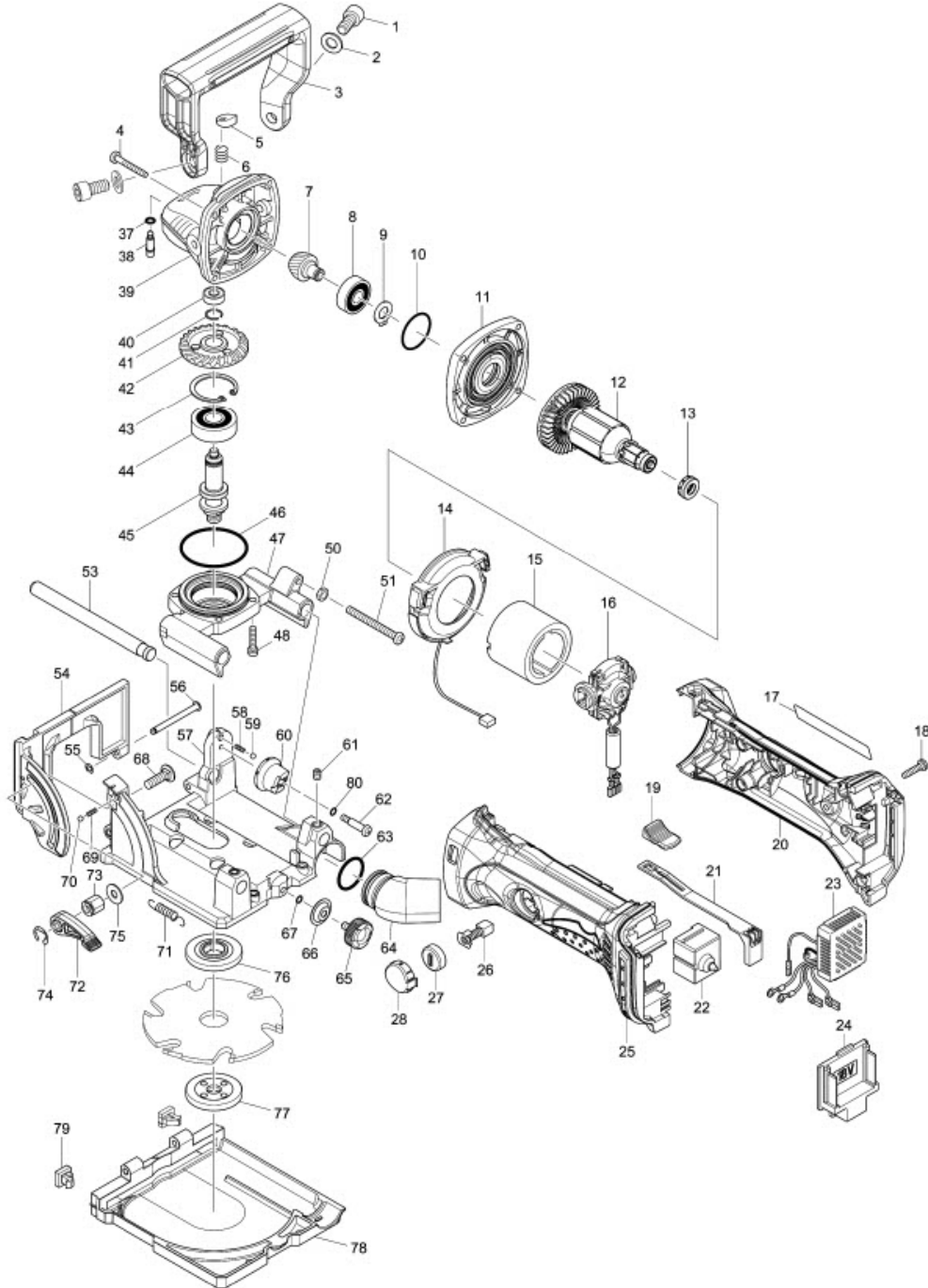


# Part Diagram

Model No.DPJ180 CORDLESS PLATE JOINER



Item	Sub	Parts No.	Parts Description	Qty
1		922422-3	HEX. SOCKET HEAD BOLT M8X16	2
2		941202-8	FLAT WASHER 8	2
3		453219-4	GRIP	1
4		266361-0	TAPPING SCREW 4X30	4
5		417771-6	PIN CAP	1
6		233072-2	COMPRESSION SPRING 8	1
7		227597-6	SPIRAL BEVEL GEAR 11	1
8		210042-8	BALL BEARING 629LLB	1
9		961005-4	RETAINING RING S-9	1
10		213445-5	O-RING 26	1
11		317821-6	GEAR HOUSING COVER	1
12		619295-0	ARMATURE	1
12	D10		INC. 7-11	
13		421977-0	RUBBER RING 13	1
14		631714-6	LED CIRCUIT	1
15		638627-2	YOKE UNIT	1
16		638448-2	ENDBELL COMPLETE	1
17		815T35-6	DPJ180 NAME PLATE	1
18		266326-2	TAPPING SCREW 4X18	5
19		419566-3	SWITCH KNOB	1
20		187839-9	HOUSING SET	1
20	C10	263005-3	RUBBER PIN 6	2
20	D10		INC. 25	
21		419519-2	SWITCH LEVER	1
22		650579-7	SWITCH 1246.3223	1
23		620243-4	CONTROLLER	1
24		644808-8	TERMINAL	1
25		187839-9	HOUSING SET	1
25	C10	263005-3	RUBBER PIN 6	2
25	D10		INC. 20	
26		191971-3	CARBON BRUSH CB-430	1
27		643954-4	BRUSH HOLDER CAP	2
28		419518-4	HOLDER CAP COVER	2
37		213960-9	O RING 5	1
38		256496-5	SHOULDER PIN 4	1
39		141400-6	GEAR HOUSING COMPLETE	1
39	C10	263002-9	RUBBER PIN 4	1
40		210033-9	BALL BEARING 696ZZ	1
41		233950-6	RING SPRING 11	1
42		227598-4	SPIRAL BEVEL GEAR 36	1
43		962151-6	RETAINING RING R-32	1
44		211129-9	BALL BEARING 6201DDW	1
45		326120-5	SPINDLE	1
46		213622-9	O RING 45	1
47		318812-0	BEARING BOX	1
48		911136-9	PAN HEAD SCREW M4X20	4
50		931203-4	HEX. NUT M5	1
51		266741-0	PAN HEAD SCREW M5X50	1
53		326145-9	ROD 10	2
54		141247-8	FENCE COMPLETE	1
55		961017-7	STOP RING E-3	2
56		256689-4	PIN 4	2
57		318813-8	BASE	1
58		231282-5	COMPRESSION SPRING 2.4	1
59		216001-0	STEEL BALL 3.5	1
60		318814-6	STOPPER	1
61		266264-8	H.S.SET SCREW(FLAT POINT)M5X6	1
62		266738-9	+PAN HEAD SCREW M4	1

Item	Sub	Parts No.	Parts Description	Qty
63		213008-7	O RING 22.4	1
64		415252-4	DUST NOZZLE	1
65		265785-7	THUMB SCREW M5X10	1
66		232131-9	LEAF SPRING	1
67		213023-1	O RING 4	1
68		266737-1	FLAT HEAD SQ. NECK BOLT M6X20	1
69		231282-5	COMPRESSION SPRING 2.4	1
70		216001-0	STEEL BALL 3.5	1
71		231795-6	TENSION SPRING 8	2
72		272263-0	LEVER 40	1
73		252159-1	HEX. NUT M6	1
74		961014-3	STOP RING E-8	1
75		253804-1	FLAT WASHER 6	1
76		224280-6	INNER FLANGE 40	1
77		224505-8	LOCK NUT 10-40	1
78		318845-5	BLADE COVER	1
79		424479-5	RUBBER SPIKE	2
80		213023-1	O RING 4	1
A01		123149-0	ANGLE GUIDE ASSEMBLY	1
A01	D10		COMPO-PARTS	
A02		123150-5	DUST BAG ASSEMBLY	1
A02	C10	410602-8	FASTENER	1
A03		415579-2	SET PLATE 4	1
A04		B-20644	CUTTER 100MMX6T	1
A05		782401-1	LOCK NUT WRENCH 20	1