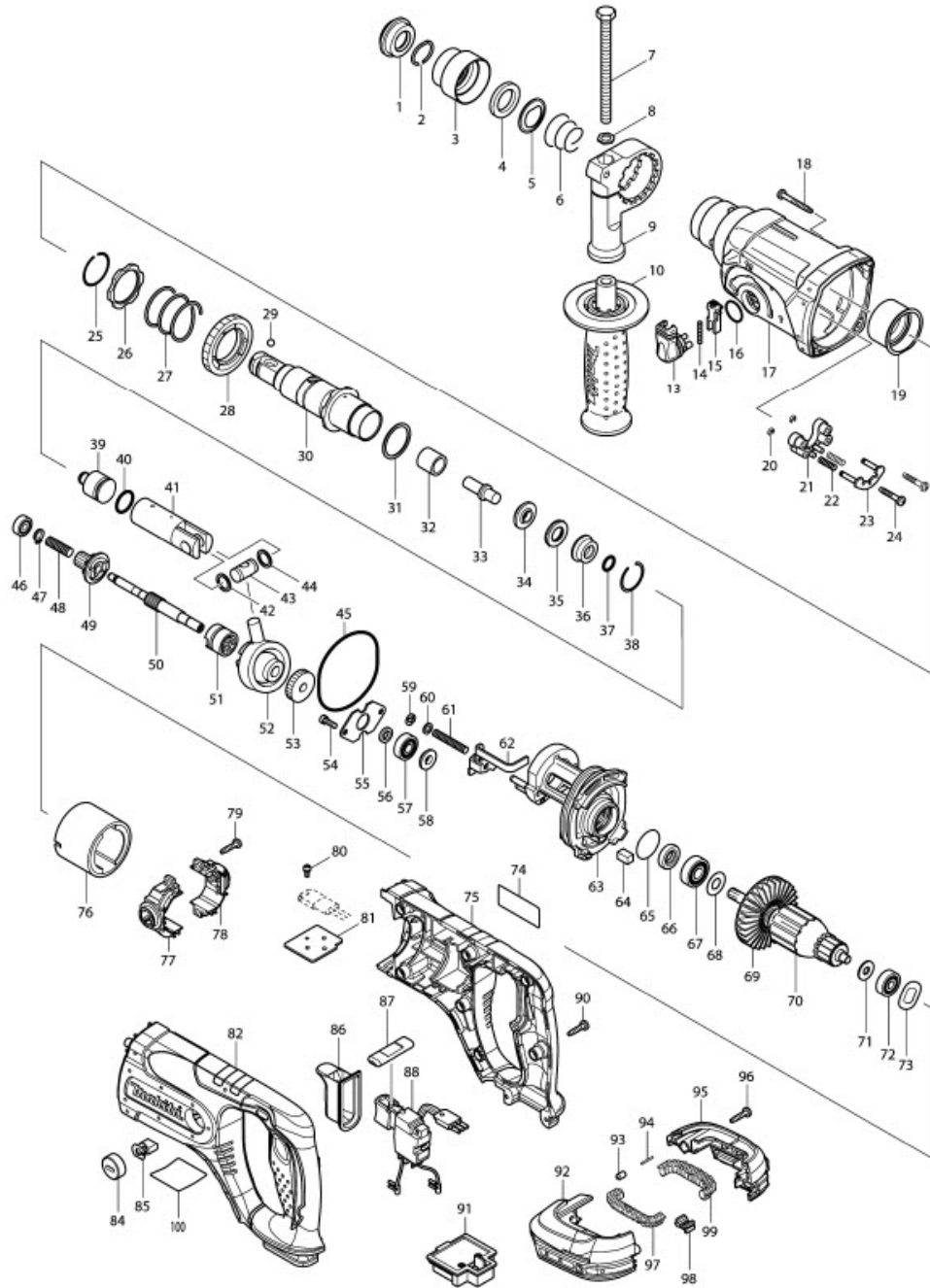


# Part Diagram

Model No.DHR241 CORDLESS COMBINATION HAMMER



Item	Sub	Parts No.	Parts Description	Qty
1		286263-4	CAP 35	1
2		233940-9	RING SPRING 19	1
3		417629-9	CHUCK COVER	1
4		257241-1	RING 21	1
5		345187-4	GUIDE WASHER	1
6		233916-6	CONICAL COMP. SPRING 21-29	1
7		921923-8	HEX. BOLT M8X120	1
8		345280-4	HEX. WASHER	1
9		417630-4	GRIP BASE	1
10		158057-6	GRIP 36 COMPLETE	1
10	C10	931402-8	HEX. NUT M8	1
13		162245-9	CHANGE LEVER	1
14		233459-8	COMPRESSION SPRING 3	1
15		419192-8	LOCK BUTTON	1
16		213278-8	O RING 17	1
17		158216-2	GEAR HOUSING COMPLETE	1
17	C10	213345-9	OIL SEAL 25	1
18		266351-3	TAPPING SCREW 4X35	4
19		153290-5	NEEDLE BEARING COMPLETE	1
20		961017-7	STOP RING E-3	2
21		417796-0	GUIDE BASE	1
22		233344-5	COMPRESSION SPRING 4	2
23		163430-7	LOCK PLATE COMPLETE	1
24		266374-1	TAPPING SCREW 4X25	2
25		233929-7	RING SPRING 29	1
26		267460-1	WASHER 31	1
27		233401-9	COMPRESSION SPRING 32	1
28		227109-5	SPUR GEAR 51	1
29		216022-2	STEEL BALL 7.0	1
30		158574-6	TOOL HOLDER COMPLETE	1
31		267229-3	FLAT WASHER 28	1
32		331769-8	SLEEVE 9	1
33		324669-9	IMPACT BOLT	1
34		324402-9	RING 10	1
35		421955-0	CUSHION RING 13	1
36		324216-6	O RING CASE	1
37		213073-6	O RING 9	1
38		233917-4	RING SPRING 28	1
39		324214-0	STRIKER	1
40		213227-5	O RING 16	1
41		318132-2	PISTON CYLINDER	1
42		267104-3	FLAT WASHER 12	1
43		324215-8	PISTON JOINT	1
44		267104-3	FLAT WASHER 12	1
45		213727-5	O-RING 63	1
046-1		210028-2	BALL BEARING 606ZZ	1
47		961003-8	RETAINING RING S-7	1
48		233343-7	COMPRESSION SPRING 7	1
49		227179-4	SPUR GEAR 10	1
50		324668-1	CAM SHAFT	1
51		331992-5	CLUTCH CAM	1
52		219014-0	SWASH BEARING 10	1
53		226632-7	HELICAL GEAR 25	1
053-1		226985-4	HELICAL GEAR 25	1
54		266273-7	HEX. SOCKET HEAD BOLT M4X12	1
55		345179-3	BEARING RETAINER	1
56		267234-0	FLAT WASHER 8	1
057-1		210029-0	BALL BEARING 608ZZ	1

Item	Sub	Parts No.	Parts Description	Qty
58		324212-4	RING 8	1
59		961011-9	STOP RING E-4	1
60		941102-2	FLAT WASHER 5	1
61		233342-9	COMPRESSION SPRING 6	1
62		345363-0	CHANGE PLATE	1
63		141574-3	INNER HOUSING COMPLETE	1
65		213407-3	O RING 26	1
66		213077-8	OIL SEAL 10	1
67		210059-1	BALL BEARING 6000DDW	1
68		267213-8	FLAT WASHER 10	1
69		240092-9	FAN 64	1
70		519226-8	ARMATURE ASS'Y 18V	1
70	D10		INC. 67-69,71,72	
71		253823-7	FLAT WASHER 7	1
72		210023-2	BALL BEARING 627DDW	1
73		267816-8	WAVE WASHER 15	1
74		815J32-2	DHR241 NAME PLATE 20MM	1
75		188577-6	HOUSING SET	1
75	D10		INC. 82	
76		638020-0	YOKE UNIT	1
77		643836-0	BRUSH HOLDER	1
78		643837-8	BRUSH HOLDER	1
79		266326-2	TAPPING SCREW 4X18	2
80		911011-9	PAN HEAD SCREW M3X10	1
81		689070-8	HEAT SINK	1
82		188577-6	HOUSING SET	1
82	D10		INC. 75	
84		643829-7	HOLDER CAP	2
85		194435-6	CARBON BRUSH CB-441	1
86		424111-1	SWITCH COVER	1
87		450615-7	F/R CHANGE LEVER	1
88		650655-7	SWITCH TG553FSB-7B	1
90		266326-2	TAPPING SCREW 4X18	7
91		644808-8	TERMINAL	1
92		187212-3	BATTERYHOUSING SET	1
92	D10		INC. 95	
93		263036-2	RUBBER PIN 5	1
94		268184-2	PIN 1.5	1
95		187212-3	BATTERYHOUSING SET	1
95	D10		INC. 92	
96		266326-2	TAPPING SCREW 4X18	2
97		424042-4	CUSHION RUBBER	1
98		424476-1	CUSHION	1
99		424042-4	CUSHION RUBBER	1
100		815J42-9	DHR241 SERIAL NO. LABEL	1
101		123100-0	TOOL HOLDER ASS'Y	1
101	D10		INC. 25-28,30,32-38	
A01		324219-0	DEPTH GAUGE	1
A02		***DC18RC	DC18RC FAST CHARGER	1
A03-1B		196399-0	BATTERY BL1840 SET	2
A03-2B		197265-4	BATTERY BL1840B SET	2
A03-2C		197600-6	BATTERY BL1830B SET	2
A03-3B		197265-4	BATTERY BL1840B SET	2
A03-3C		197600-6	BATTERY BL1830B SET	2
A04		450128-8	BATTERY COVER	1
A05		141643-0	PLASTIC CASE COMPLETE	
A05B	C10	163455-1	LATCH	
B01		195193-7	HAMMER SERVICE KIT SET	
B01	C10	195127-0	OIL VESSEL SET	1

Item	Sub	Parts No.	Parts Description	Qty
B01	D10		INC. 1,29,35,37,38,40,85	