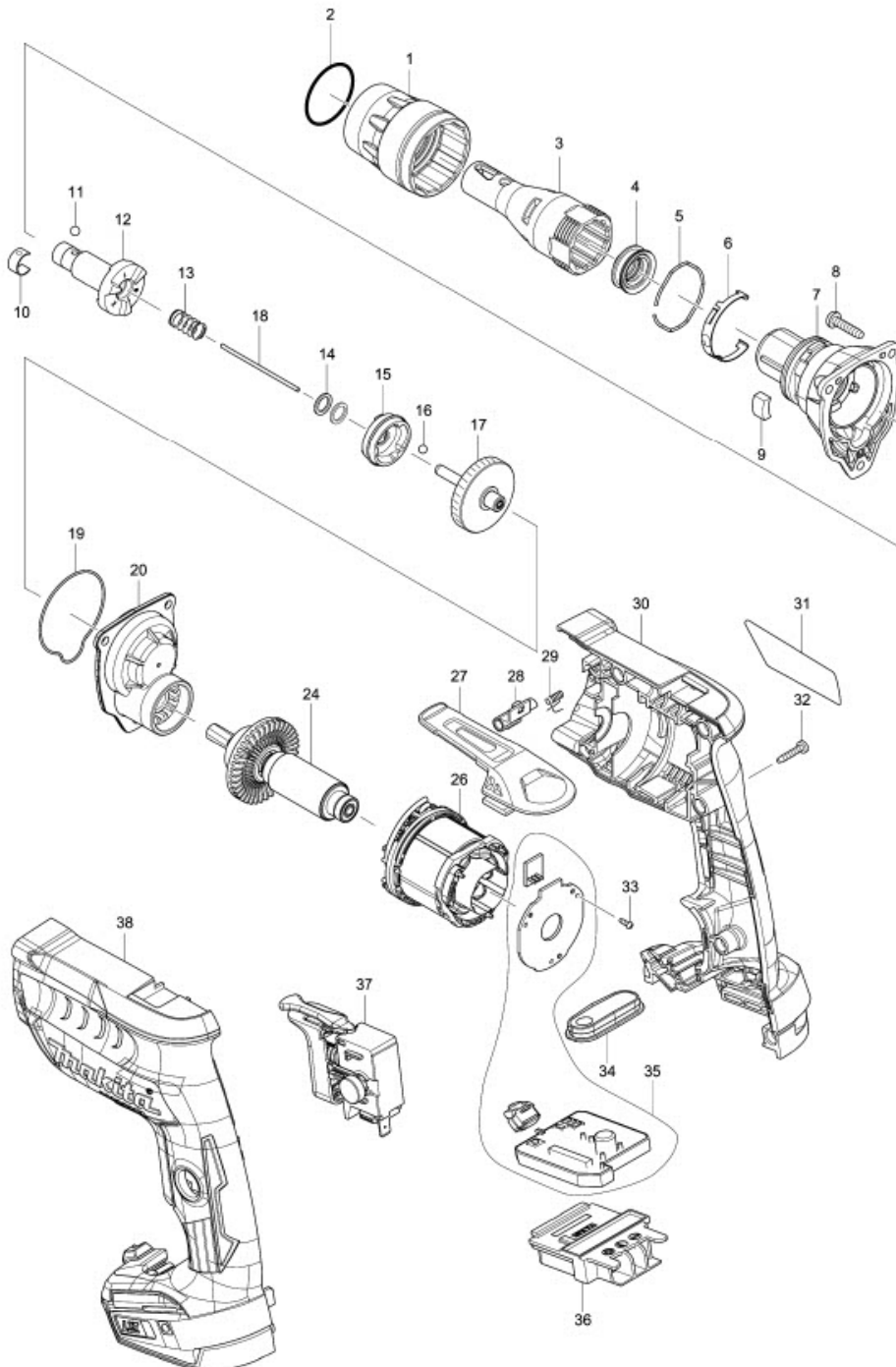


Part Diagram

Model No.DFS452 CORDLESS SCREWDRIVER



Item	Sub	Parts No.	Parts Description	Qty
1		455591-0	LOCK RING	1
2		424235-3	SEAL RING 30	1
3		158876-0	LOCATOR L COMPLETE	1
4		424665-8	DUST SEAL SLEEVE	1
5		234348-0	RING SPRING 30	1
6		232245-4	LEAF SPRING	1
7		142902-5	GEAR HOUSING COMPLETE	1
7	C10	213796-6	OIL SEAL 11	1
8		265995-6	TAPPING SCREW 4X18	3
008-1		265A48-7	TAPPING SCREW 4X18	3
9		423413-2	RUBBER PLATE	1
10		232050-9	LEAF SPRING	1
11		216001-0	STEEL BALL 3.5	1
12		142903-3	SPINDLE 125S COMPLETE	1
13		234121-8	COMPRESSION SPRING 8	1
14		267202-3	FLAT WASHER 8	2
15		223181-5	CLUTCH CAM 125S	1
16		216008-6	STEEL BALL 4	3
17		142904-1	GEAR COMPLETE	1
17	C10	424663-2	SEAL	1
18		268325-0	ROD 2	1
19		424664-0	SEAL RING	1
20		142909-1	GEAR HOUSING COVER COMPLETE	1
24		519355-7	ROTOR ASS'Y	1
024-1		510472-6	ROTOR ASS'Y	1
024-2		519664-4	ROTOR ASS'Y	1
26		629135-4	STATOR	1
27		162272-6	HOOK	1
28		142908-3	LEVER COMPLETE	1
028-1		140M84-5	LEVER COMPLETE	1
29		233619-2	TORSION SPRING 3	1
30		187993-9	HOUSING SET	1
30	C10	263005-3	RUBBER PIN 6	2
30	D10		INC. 38	
31		850H34-9	DFS452 NAME PLATE	1
32		266130-9	TAPPING SCREW BIND PT 3X16	7
33		266490-9	TAPPING SCREW PT 2X6	3
34		142905-9	SWITCH PLATE COMPLETE	1
035-1		620360-0	CONTROLLER COMPLETE	1
035-1	D10		INC. 36	
036-1		643860-3	TERMINAL	1
37		650733-3	SWITCH C3JW-4B-2L	1
38		187993-9	HOUSING SET	1
38	C10	263005-3	RUBBER PIN 6	2
38	D10		INC. 30	
39		850H36-5	DFS452 SERIAL NO. LABEL	1
A01		266622-8	+ TRUSS HEAD SCREW M4X12	1
A02		346317-0	HOOK	1
A03		784261-7	+BIT 2-25	2
A04		784812-6	MAGNETIC BIT HOLDER 6.35-76	1
E01		688161-2	LINE FILTER	1