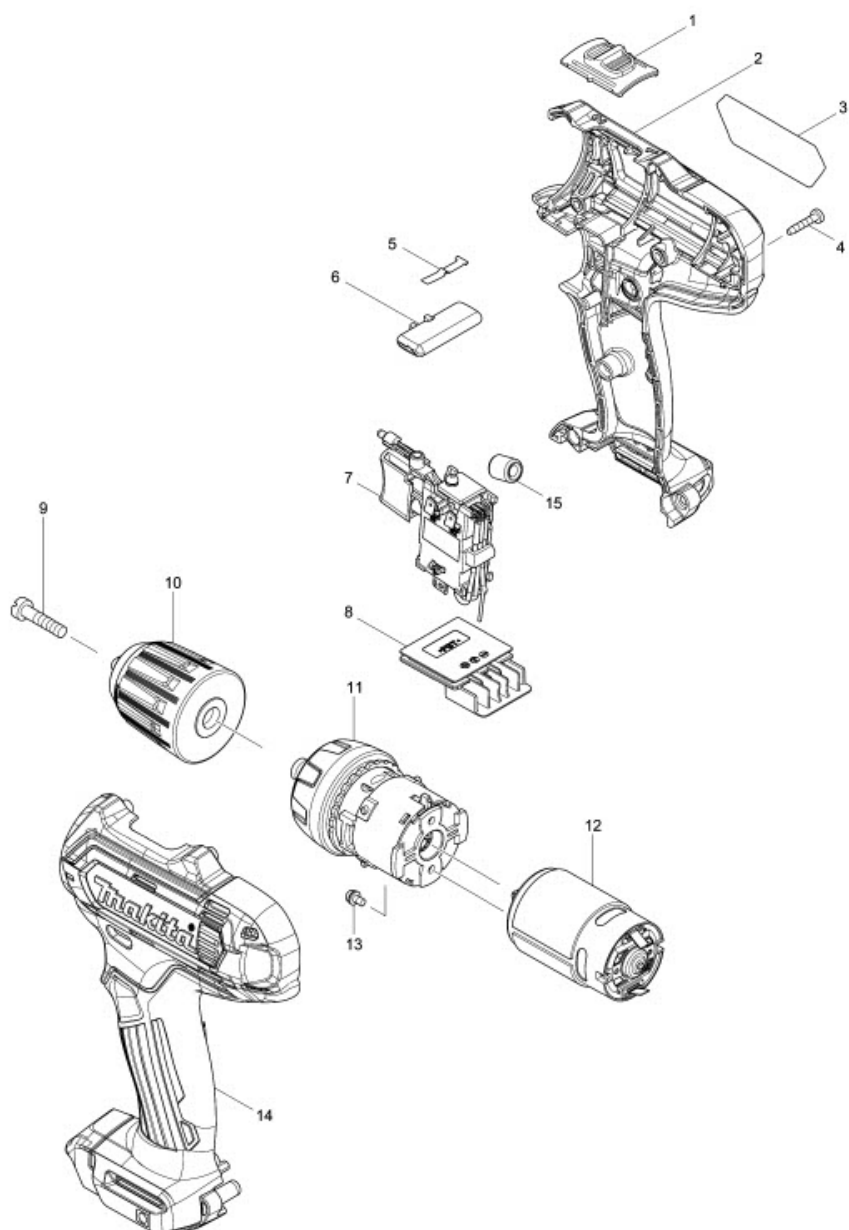


# Part Diagram

Model No.DF331D CORDLESS DRIVER DRILL



Item	Sub	Parts No.	Parts Description	Qty
1		126233-0	SPEED CHANGE LEVER ASSEMBLY	1
1	C10	231433-0	COMPRESSION SPRING 4	2
2		183B50-3	HOUSING SET	1
2	C10	252126-6	HEX. LOCK NUT M4-7	2
2	D10		INC. 14	
3		851H36-8	DF331D NAME PLATE	1
003-1		851H35-0	DF331D NAME PLATE	1
4		266429-2	TAPPING SCREW 3X16	9
5		232239-9	LEAF SPRING	1
6		456039-5	F/R CHANGE LEVER	1
7		632F43-6	SWITCH UNIT	1
7	C10	620463-0	LED CIRCUIT	1
007-1		632J77-3	SWITCH UNIT	1
007-1	C10	620625-0	LED CIRCUIT	1
8		644813-5	TERMINAL	1
9		251451-2	- PAN HEAD SCREW M5X22	1
10		763228-8	KEYLESS DRILL CHUCK 10	1
11		123503-8	GEAR ASS'Y	1
011-1		127099-1	GEAR ASSEMBLY	1
12		629169-7	DC MOTOR	1
012-1		629167-1	DC MOTOR	1
13		911003-8	PAN HEAD SCREW M3X6	2
14		183B50-3	HOUSING SET	1
14	C10	252126-6	HEX. LOCK NUT M4-7	2
14	D10		INC. 2	
A01		251314-2	+ SCREW M4X12	1
A02		346909-5	HOOK	1
A03		784202-3	PHILLIPS BIT 2-45	1
A04		456128-6	BATTERY COVER	1
A05B		***DC10SB	DC10SB BATTERY CHARGER	1
A05B	D10		COMPO-PARTS	
A05		***DC10WD	DC10WD BATTERY CHARGER	1
A05C	D10		COMPO-PARTS	
A06B		197406-2	BATTERY BL1041B SET	2
A06C		197396-9	BATTERY BL1021B SET	2
A06D		197393-5	BATTERY BL1016 SET	2
A06-1B		197406-2	BATTERY BL1041B SET	2
A06-1C		197396-9	BATTERY BL1021B SET	2
A06-1D		191B84-2	BATTERY BL1016 SET	2
A06-2B		191B86-8	BATTERY BL1041B SET	2
A06-2C		191B85-0	BATTERY BL1021B SET	2
A07		821661-1	PLASTIC CARRYING CASE	1
A07B	C10	417724-5	LATCH	2