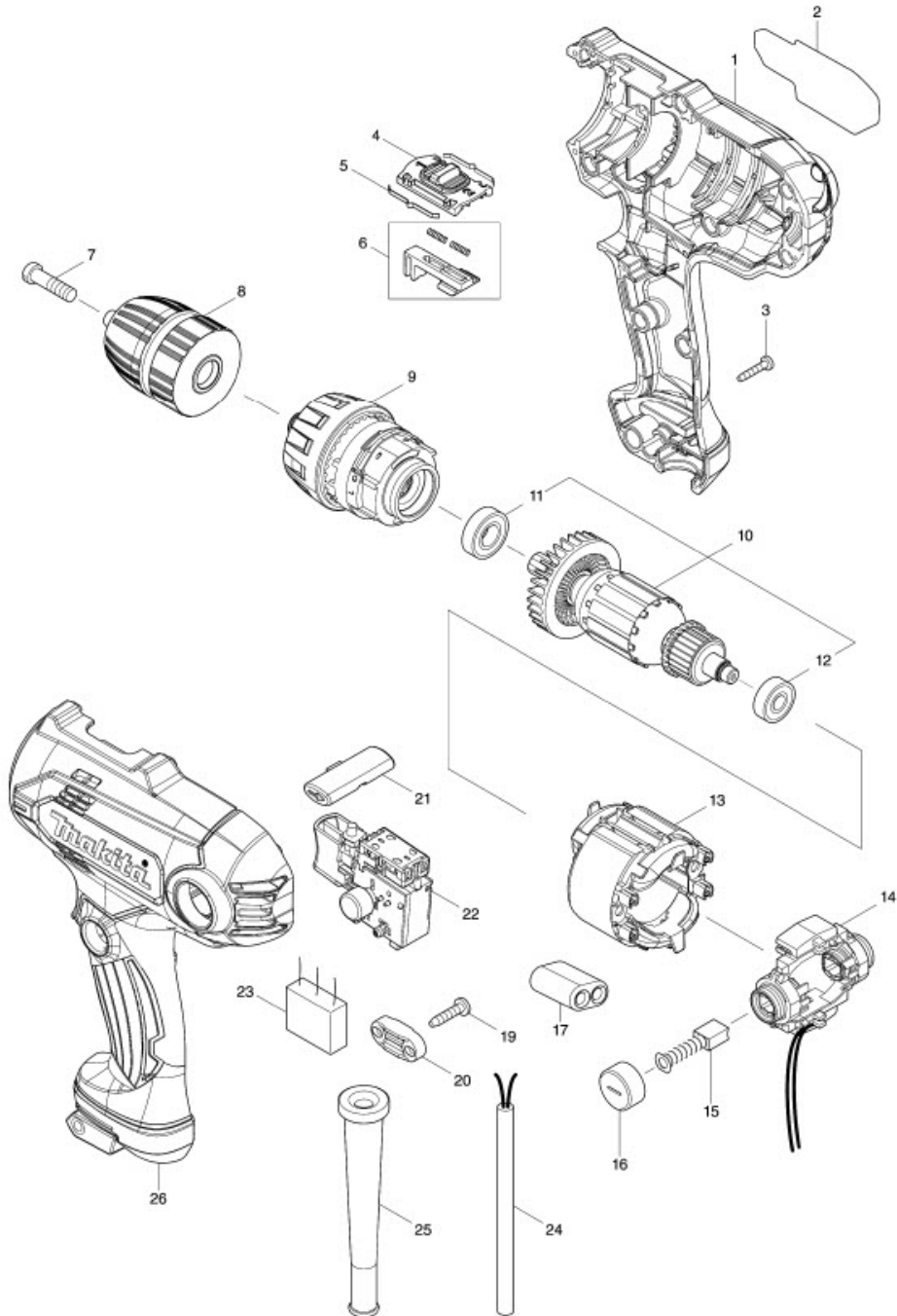


Part Diagram

Model No.DF0300 DRIVER DRILL



| Item | Sub | Parts No. | Parts Description | Qty |
|------|-----|-----------|-----------------------------|-----|
| 1 | | 183M32-1 | HOUSING SET | 1 |
| 1 | C10 | 263002-9 | RUBBER PIN 4 | 4 |
| 1 | C20 | 252126-6 | HEX. LOCK NUT M4-7 | 2 |
| 1 | D10 | | INC. 26 | |
| 2 | | 856B70-7 | DF0300 NAME PLATE | 1 |
| 3 | | 266429-2 | TAPPING SCREW 3X16 | 9 |
| 4 | | 459026-3 | SPEED CHANGE LEVER | 1 |
| 5 | | 232493-5 | LEAF SPRING | 2 |
| 6 | | 127357-5 | CHANGE LEVER ASSEMBLY | 1 |
| 6 | C10 | 233025-1 | COMPRESSION SPRING 2 | 2 |
| 7 | | 251468-5 | - FLAT HEAD SCREW M6X22 | 1 |
| 8 | | 766012-0 | KEYLESS DRILL CHUCK 10 | 1 |
| 9 | | 127356-7 | GEAR ASSEMBLY | 1 |
| 10 | | 517999-7 | ARMATURE ASS'Y 240V | 1 |
| 10 | D10 | | INC. 11,12 | |
| 11 | | 210069-8 | BALL BEARING 6900DDW | 1 |
| 12 | | 210062-2 | BALL BEARING 607ZZ | 1 |
| 13 | | 634739-9 | FIELD | 1 |
| 14 | | 632P53-3 | HOLDER ARM UNIT | 1 |
| 15 | | 191940-4 | CARBON BRUSH CB-411 | 1 |
| 16 | | 643928-5 | BRUSH HOLDER CAP | 2 |
| 19 | | 266326-2 | TAPPING SCREW 4X18 | 2 |
| 20 | | 687123-7 | STRAIN RELIEF | 1 |
| 21 | | 457210-4 | F/R CHANGE LEVER | 1 |
| 22 | | 651393-4 | SWITCH DGQ-1104H-01 | 1 |
| 24 | | 692021-2 | POWER SUPPLY CORD 1.0-2-2.5 | 1 |
| 25 | | 682559-5 | CORD GUARD 8 | 1 |
| 26 | | 183M32-1 | HOUSING SET | 1 |
| 26 | C10 | 263002-9 | RUBBER PIN 4 | 4 |
| 26 | C20 | 252126-6 | HEX. LOCK NUT M4-7 | 2 |
| 26 | D10 | | INC. 1 | |
| A01 | | 784637-8 | +-- BIT 2-45 | 1 |

