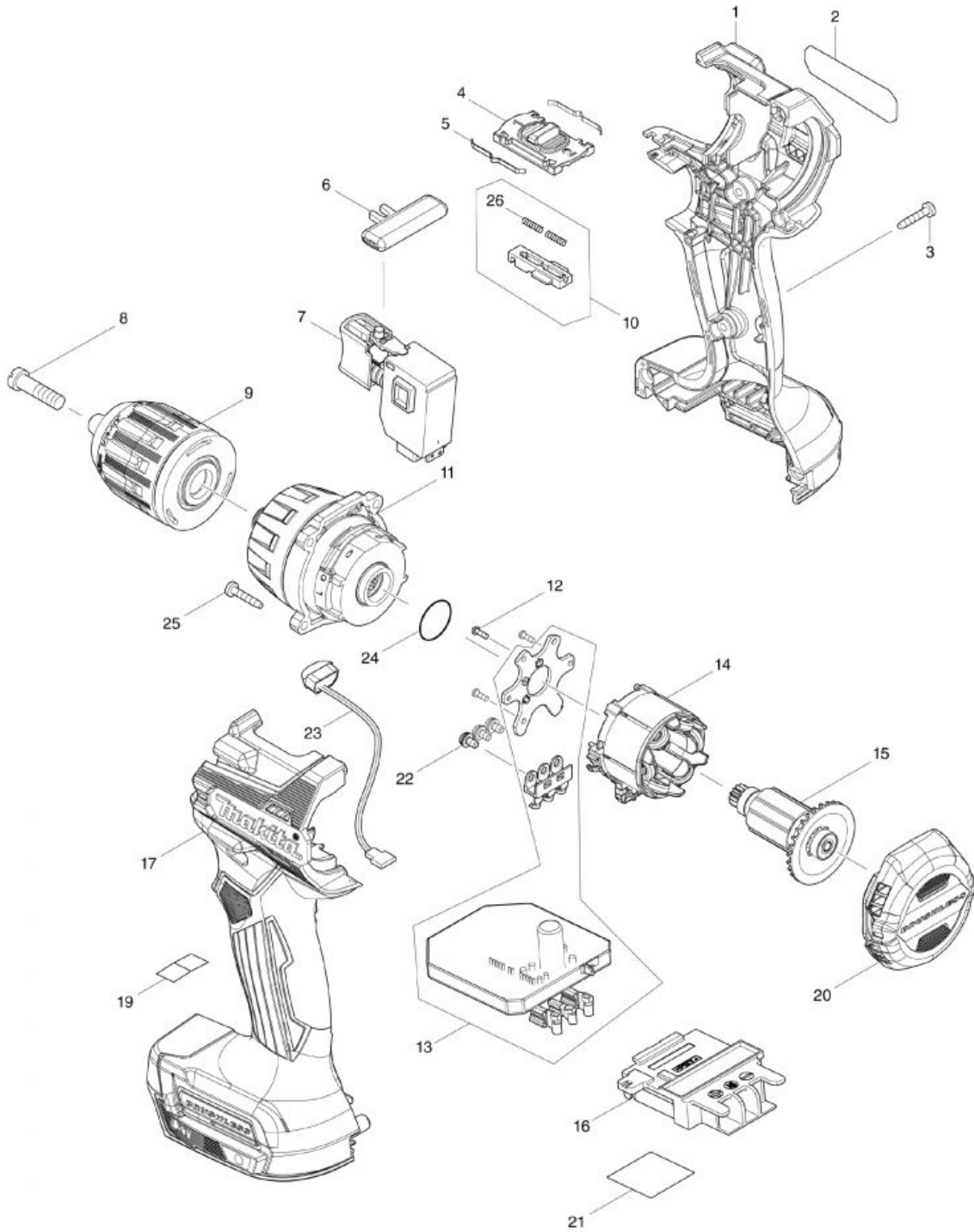


Part Diagram

(MY) DDF487 / CORDLESS DRIVER DRILL



Item	Sub	Parts No.	Parts Description	Qty
001		183S07-6	HOUSING SET	1
	C10	263005-3	RUBBER PIN 6	2
	C20	252126-6	HEX. LOCK NUT M4-7	2
	D10		INC. 17	
002		858E10-9	DDF487 NAME PLATE	1
003		266429-2	TAPPING SCREW 3X16	7
004		413310-0	SPEED CHANGE LEVER	1
005		232493-5	LEAF SPRING	2
006		419041-9	F/R CHANGE LEVER	1
007		650689-0	SWITCH C3JW-2B	1
008		251468-5	- FLAT HEAD SCREW M6X22	1
009		763256-3	KEYLESS DRILL CHUCK 13	1
010		127758-7	CHANGE LEVER ASSEMBLY	1
	D10		INC. 26	
011		127757-9	GEAR ASSEMBLY	1
011-1		122B22-3	GEAR ASSEMBLY	1
012		266490-9	TAPPING SCREW PT 2X6	3
013		620E45-8	CONTROLLER	1
014		629A41-9	STATOR	1
015		619671-8	ROTOR	1
016		643874-2	TERMINAL	1
017		183S07-6	HOUSING SET	1
	C10	263005-3	RUBBER PIN 6	2
	C20	252126-6	HEX. LOCK NUT M4-7	2
	D10		INC. 1	
020		413309-5	REAR COVER	1
021		858E18-3	DDF487 SERIAL NO. LABEL	1
022		652069-6	FLAT HEAD SCREW M3X6	3
023		620549-0	LED CIRCUIT	1
024		213087-5	O-RING 16.5	1
024-1		213A10-6	O-RING 16.5	1
025		266429-2	TAPPING SCREW 3X16	4
026		233025-1	COMPRESSION SPRING 2	2
A01		251314-2	+ SCREW M4X12	1
A02A		346317-0	HOOK	1
A02B		346449-3	HOOK	1
A03		784637-8	+ BIT 2-45	1
A04B		821550-0	CONNECTOR PLASTIC CASE (TYPE2)	1
	C10	453974-8	LATCH	4
A05B		450128-8	BATTERY COVER	1
A06B		***DC18RC	DC18RC FAST CHARGER	1
	D10		COMPO-PARTS	
A07B		197254-9	BATTERY BL1820B SET	2
A08B		837670-0	INNER TRAY	1
A09B		8029F7-6	DDF487RAJ INDICATION LABEL	1
A10B		8029F8-4	DDF487RAJ PLASTIC CASE LABEL	2