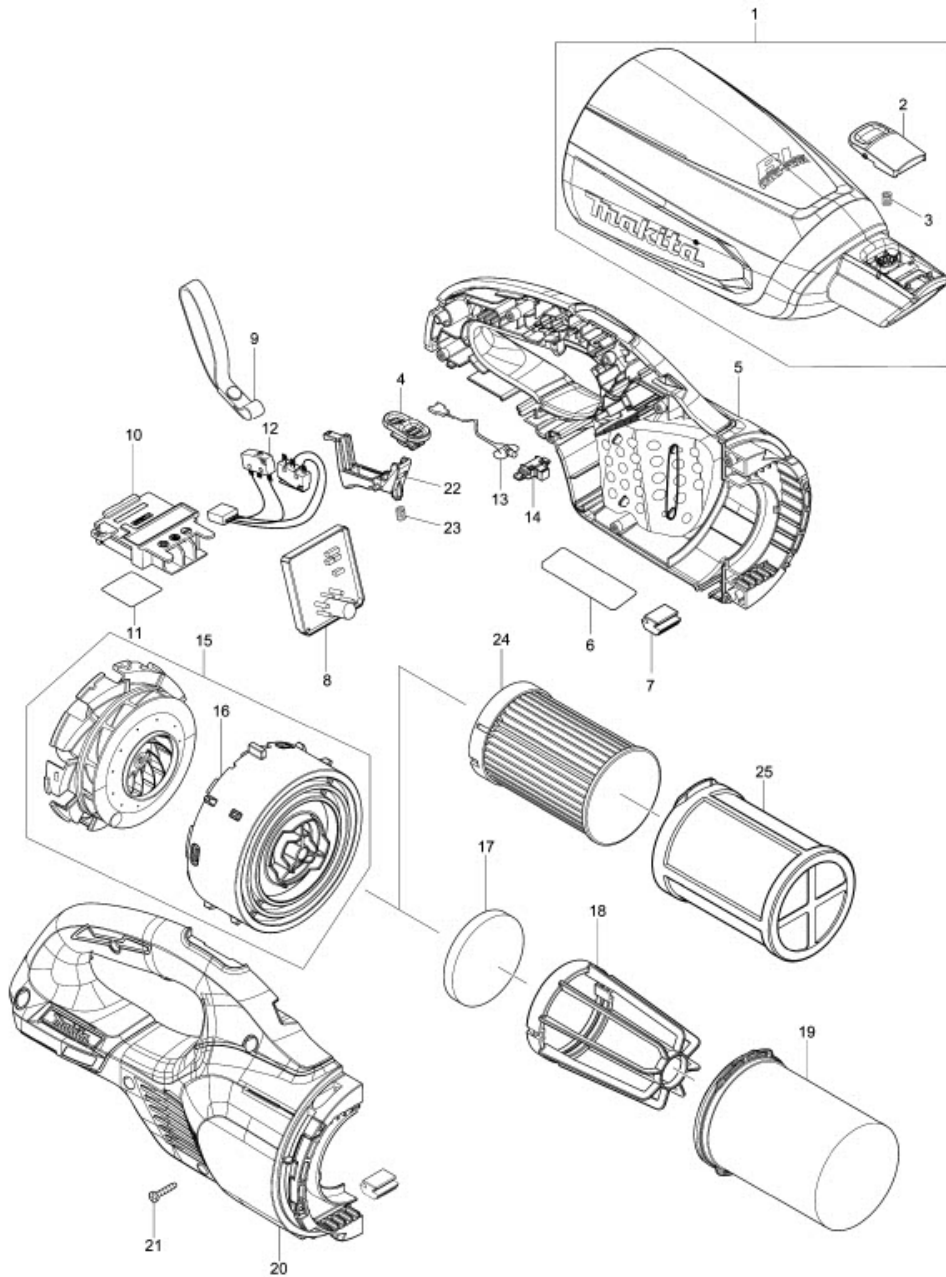


Part Diagram

Model No.DCL280F CORDLESS CLEANER



| Item | Sub | Parts No. | Parts Description | Qty |
|-------|-----|-----------|-----------------------------|-----|
| 001A | | 136105-1 | CAPSULE ASS'Y | 1 |
| 1 | C10 | 266326-2 | TAPPING SCREW 4X18 | 1 |
| 1 | C20 | 424208-6 | VALVE | 1 |
| 1 | C30 | 941051-3 | FLAT WASHER 4 | 1 |
| 1 | D10 | | INC. 2,3 | |
| 001B | | 136096-6 | CAPSULE COMPLETE ASS'Y | 1 |
| 1 | C10 | 266326-2 | TAPPING SCREW 4X18 | 1 |
| 1 | C20 | 424208-6 | VALVE | 1 |
| 1 | C30 | 941051-3 | FLAT WASHER 4 | 1 |
| 1 | D10 | | INC. 2,3 | |
| 001C | | 136106-9 | CAPSULE ASS'Y | 1 |
| 1 | C10 | 266326-2 | TAPPING SCREW 4X18 | 1 |
| 1 | C20 | 424208-6 | VALVE | 1 |
| 1 | C30 | 941051-3 | FLAT WASHER 4 | 1 |
| 1 | D10 | | INC. 2,3 | |
| 2 | | 458939-5 | BUTTON A | 1 |
| 3 | | 232485-4 | COMPRESSION SPRING 5 | 1 |
| 4 | | 459326-1 | SLIDE SWITCH | 1 |
| 005A | | 183M07-0 | HOUSING SET | 1 |
| 5 | C10 | 263005-3 | RUBBER PIN 6 | 2 |
| 5 | C20 | 422458-7 | SPONGE SHEET 55-80 | 2 |
| 5 | C30 | 213008-7 | O RING 22.4 | 2 |
| 5 | D10 | | INC. 7,20 | |
| 005B | | 183L72-3 | HOUSING SET | 1 |
| 5 | C10 | 263005-3 | RUBBER PIN 6 | 2 |
| 5 | C20 | 422458-7 | SPONGE SHEET 55-80 | 2 |
| 5 | C30 | 213008-7 | O RING 22.4 | 2 |
| 5 | D10 | | INC. 7,20 | |
| 005C | | 183M09-6 | HOUSING SET | 1 |
| 5 | C10 | 263005-3 | RUBBER PIN 6 | 2 |
| 5 | C20 | 422458-7 | SPONGE SHEET 55-80 | 2 |
| 5 | C30 | 213008-7 | O RING 22.4 | 2 |
| 5 | D10 | | INC. 7,20 | |
| 6 | | 855S96-8 | DCL280F NAME PLATE | 1 |
| 7 | | 422460-0 | RUBBER PLATE | 2 |
| 8 | | 620A74-7 | CONTROLLER | 1 |
| 10 | | 643874-2 | TERMINAL | 1 |
| 11 | | 855T03-7 | DCL280F SERIAL NO. LABEL | 1 |
| 12 | | 632N57-3 | SWITCH UNIT | 1 |
| 13 | | 620A76-3 | LED CIRCUIT | 1 |
| 013-1 | | 620E82-2 | LED CIRCUIT | 1 |
| 14 | | 459478-8 | LENS CASE | 1 |
| 15 | | 136091-6 | MOTOR ASS'Y | 1 |
| 15 | D10 | | INC. 16 | |
| 16 | | 459322-9 | FAN COVER | 1 |
| 17 | | 422268-2 | SPONGE SHEET 57 | 1 |
| 18 | | 458467-0 | STAY | 1 |
| 19 | | 199966-0 | EASY SHAKE OFF FILTER B SET | 1 |
| 020A | | 183M07-0 | HOUSING SET | 1 |
| 20 | C10 | 263005-3 | RUBBER PIN 6 | 2 |
| 20 | C20 | 422458-7 | SPONGE SHEET 55-80 | 2 |
| 20 | C30 | 213008-7 | O RING 22.4 | 2 |
| 20 | D10 | | INC. 5,7 | |
| 020B | | 183L72-3 | HOUSING SET | 1 |
| 20 | C10 | 263005-3 | RUBBER PIN 6 | 2 |
| 20 | C20 | 422458-7 | SPONGE SHEET 55-80 | 2 |
| 20 | C30 | 213008-7 | O RING 22.4 | 2 |
| 20 | D10 | | INC. 5,7 | |

| Item | Sub | Parts No. | Parts Description | Qty |
|------|-----|-----------|-----------------------|-----|
| 020C | | 183M09-6 | HOUSING SET | 1 |
| 20 | C10 | 263005-3 | RUBBER PIN 6 | 2 |
| 20 | C20 | 422458-7 | SPONGE SHEET 55-80 | 2 |
| 20 | C30 | 213008-7 | O RING 22.4 | 2 |
| 20 | D10 | | INC. 5,7 | |
| 21 | | 266429-2 | TAPPING SCREW 3X16 | 7 |
| 22 | | 459324-5 | SWITCH LEVER | 1 |
| 23 | | 232485-4 | COMPRESSION SPRING 5 | 1 |
| 24 | | 199989-8 | FILTER H SET | 1 |
| 024C | | 199989-8 | FILTER H SET | 1 |
| 25 | | 198751-8 | PRE FILTER SET EU | 1 |
| 025C | | 198750-0 | PRE FILTER SET | 1 |
| A01A | | 123488-8 | FLOOR T-NOZZLE 28 BLU | 1 |
| A01 | C10 | 451410-8 | ROLLER | 4 |
| A01 | C20 | 268208-4 | PIN 3 | 4 |
| A01 | C30 | 424096-1 | WIPER | 1 |
| A01B | | 123486-2 | FLOOR T-NOZZLE 28 WHI | 1 |
| A01 | C10 | 451410-8 | ROLLER | 4 |
| A01 | C20 | 268208-4 | PIN 3 | 4 |
| A01 | C30 | 424096-1 | WIPER | 1 |
| A01C | | 123539-7 | FLOOR T-NOZZLE 28 BLA | 1 |
| A01 | C10 | 451410-8 | ROLLER | 4 |
| A01 | C20 | 268208-4 | PIN 3 | 4 |
| A01 | C30 | 424096-1 | WIPER | 1 |
| A02A | | 451243-1 | SASH NOZZLE 28 BLU | 1 |
| A02B | | 451240-7 | SASH NOZZLE 28 WHI | 1 |
| A02C | | 456586-6 | SASH NOZZLE 28 BLK | 1 |
| A03A | | 459356-2 | PIPE | 1 |
| A03B | | 459353-8 | PIPE | 1 |
| A03C | | 458942-6 | PIPE | 1 |
| A04A | | 459355-4 | NOZZLE HOLDER | 1 |
| A04B | | 459354-6 | NOZZLE HOLDER | 1 |
| A04C | | 459038-6 | NOZZLE HOLDER | 1 |