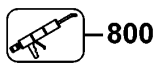
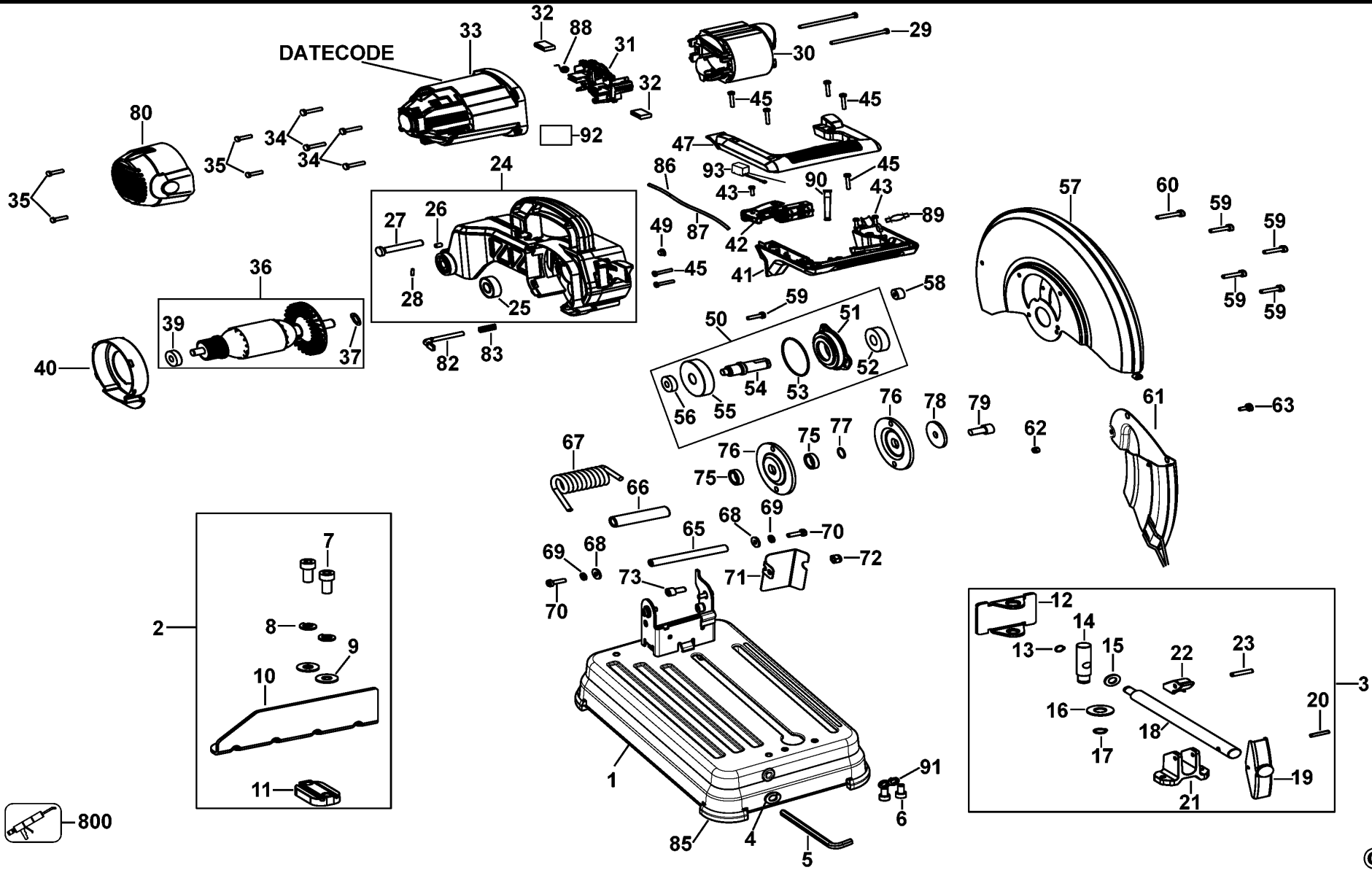


DATECODE



Parts List D28730 CHOP SAW 1

Item	Part Number	Qty	Part Description	General Description	Other Info	Repair Inst	Markets
1	N537855	1	BASE			No	QS
2	N600074	1	FENCE SA			No	QS
3	N600076	1	VICE SCREW SA			No	QS
4	386765-00	1	HOLDER TOOL			No	QS
5	384717-00	1	WRENCH			No	QS
6	098123-16	2	SCREW			No	QS
7	383450-00	2	SCREW			No	QS
8	N468716	2	WASHER LOCK		M10	No	QS
9	323753-18	1	WASHER			No	QS
10	N583562	1	FENCE			No	QS
11	N462688	1	MOUNTING BRACKET			No	QS
12	N574509	1	VICE JAW			No	QS
13	383169-00	1	CIRCLIP			No	QS
14	N447547	1	PIN			No	QS
15	384365-00	1	WASHER			No	QS
16	607592-00	1	WASHER			No	QS
17	144803-00	1	CIRCLIP			No	QS
18	N447550	1	ROD			No	QS
19	912020-00	1	LOCK HANDLE			No	QS
20	N127232	1	PIN			No	QS
21	N449677	1	MOUNT			No	QS
22	N447568	1	LOCK			No	QS
23	562254-00	1	ROLL PIN			No	QS
24	N600158	1	ARM GUARD			No	QS
25	605040-27	1	BEARING			No	QS
26	623092-00	1	PLUG	RUBBER		No	QS
27	621104-00	1	PIN	LOCK DOWN		No	QS
28	330036-00	1	PIN			No	QS
29	330019-33	2	SCREW			No	QS
30	N500154	1	FIELD 230V			No	QS
31	385582-00	1	BRUSH HOLDER			No	QS
32	N505712	1	BRUSH PAIR 230V SA			No	QS

Parts List D28730 CHOP SAW 1

Item	Part Number	Qty	Part Description	General Description	Other Info	Repair Inst	Markets
33	383151-02	1	FIELD CASE			No	QS
34	330045-16	4	SCREW			No	QS
35	330019-13	4	SCREW	M4X19 T20		No	QS
36	N498636	1	ARMATURE SA			No	QS
37	144803-00	2	CIRCLIP			No	QS
39	330003-17	1	BEARING			No	QS
40	N484130	1	BAFFLE FAN			No	QS
41	618290-03	1	LOWER HANDLE			No	QS
42	N675744	1	SWITCH			No	QS
43	330019-02	3	SCREW			No	QS
45	330019-14	7	SCREW			No	QS
47	618291-02	1	HANDLE UPPER			No	QS
49	N467523	1	RUBBER PAD			No	QS
50	N703977	1	GEAR CASE COVER SA			No	QS
51	N612822	1	GEAR CASE COVER			No	QS
52	605040-31	1	BEARING			No	QS
53	099180-46	1	O RING			No	QS
54	N687255	1	SPINDLE			No	QS
55	621078-00	1	GEAR			No	QS
56	605040-52	1	BEARING			No	QS
57	639967-00	1	GUARD UPPER			No	QS
58	629619-00	1	SPACER			No	QS
59	330045-15	5	SCREW			No	QS
60	330045-16	1	SCREW			No	QS
61	N615902	1	GUARD LOWER			No	QS
62	330021-02	1	NUT			No	QS
63	384844-00	1	SCREW SPECIAL			No	QS
65	N388906	1	PIVOT SHAFT			No	QS
66	N467337	1	SPRING GUIDE			No	QS
67	N447533	1	SPRING TORSION			No	QS
68	330016-18	2	WASHER			No	QS
69	098197-10	2	WASHER LOCK			No	QS

Parts List D28730 CHOP SAW 1

Item	Part Number	Qty	Part Description	General Description	Other Info	Repair Inst	Markets
70	153778-01	2	SCREW			No	QS
71	N449087	1	DEFLECTOR			No	QS
72	330021-02	1	NUT			No	QS
73	098123-16	1	SCREW			No	QS
75	N447525	2	BUSH			No	QS
76	N687254	2	WASHER OUTER CLAMP			No	QS
77	N447530	1	O RING			No	QS
78	383246-01	1	WASHER SPECIAL			No	QS
79	383286-00	1	SCREW			No	QS
80	392284-00	1	END CAP			No	QS
82	621087-00	1	SPINDLE LOCK			No	QS
83	621088-00	1	SPRING			No	QS
85	N537857	4	FOOT			No	QS
86	N671064	1	LEADWIRE			No	QS
87	N671066	1	LEADWIRE			No	QS
88	384612-00	2	SPRING			No	QS
89	386540-00	1	CORD CLAMP			No	QS
90	N579258	1	CORDSET			No	QS
91	098197-09	2	WASHER			No	QS
92	NA106382	1	RATING PLATE			No	QS
93	N587633	1	CAPACITOR			No	QS
800	5140061-28	1	GREASE			No	QS