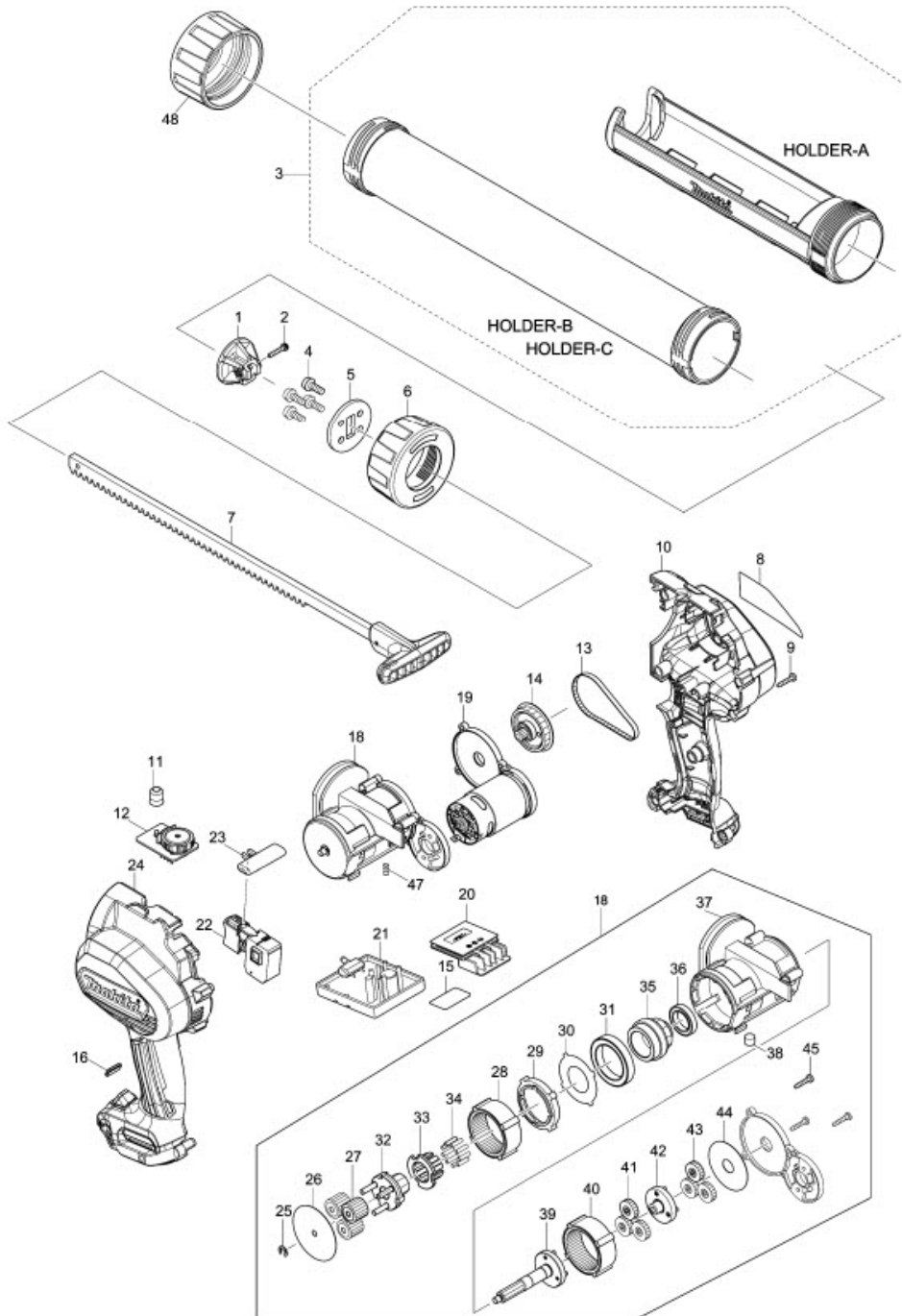


Part Diagram

Model No.CG100D CORDLESS CAULKING GUN



Item	Sub	Parts No.	Parts Description	Qty
1		142071-2	PISTON A COMPLETE	1
1		142072-0	PISTON B COMPLETE	1
1		143221-2	PISTON D COMPLETE	1
2		266827-0	PAN HEAD SCREW M3X18 WITH WR	1
3		454275-7	HOLDER A	1
3		141861-0	HOLDER B COMPLETE	1
3		455951-6	HOLDER C	1
4		265074-0	PAN HEAD SCREW M5X16	4
5		346649-5	PLATE	1
6		143223-8	HOLDER JOINT C COMPLETE	1
006E	C10	231985-1	RING SPRING 43	1
006E	C20	326538-0	RETAINER	1
006E	C30	455952-4	HOLDER JOINT C	1
6		454223-6	HOLDER JOINT A	1
6		318958-2	HOLDER JOINT B	1
7		142041-1	RACK 42 COMPLETE	1
7		142042-9	RACK 64 COMPLETE	1
7		143220-4	RACK 53 COMPLETE	1
8		853S36-0	CG100D NAME PLATE	1
9		266429-2	TAPPING SCREW 3X16	9
10		183H54-1	HOUSING SET	1
10	C10	252126-6	HEX. LOCK NUT M4-7	2
10	D10		INC. 24	
11		418821-0	LENS	1
12		620180-2	SUB CONTROLLER	1
13		225097-0	SYNCHRO BELT 4-176	1
14		142038-0	SPUR GEAR 9A COMPLETE	1
15		853S38-6	CG100D SERIAL NO. LABEL	1
16		454230-9	LENS	1
18		126253-4	GEAR ASSEMBLY	1
18	D10		INC. 25-45	
19		144863-5	MOTOR COMPLETE	1
20		644813-5	TERMINAL	1
21		632K95-7	CONTROLLER UNIT	1
21	C10	620762-0	LED CIRCUIT	1
22		650632-9	SWITCH	1
23		451162-1	LOCK LEVER	1
24		183H54-1	HOUSING SET	1
24	C10	252126-6	HEX. LOCK NUT M4-7	2
24	D10		INC. 10	
25		961011-9	STOP RING E-4	1
26		267465-1	FLAT WASHER 5	1
27		227311-0	SPUR GEAR 19B	3
28		227309-7	INTERNAL GEAR 48	1
29		144375-8	SPACER COMPLETE	1
30		346721-3	PLATE 23	1
31		211294-4	BALL BEARING 6806LLU	1
32		141860-2	CARRIER A COMPLETE	1
33		313253-5	CARRIER B	1
34		256255-7	PIN 3	9
35		227312-8	SPUR GEAR 10	1
36		211482-3	BALL BEARING 6803LLU	1
37		454219-7	GEAR HOUSING	1
38		313257-7	MAGNET	1
39		141859-7	SPUR GEAR 9C COMPLETE	
40		227309-7	INTERNAL GEAR 48	
41		227310-2	SPUR GEAR 19A	
42		141858-9	SPUR GEAR 9B COMPLETE	1

Item	Sub	Parts No.	Parts Description	Qty
43		227310-2	SPUR GEAR 19A	3
44		267466-9	FLAT WASHER 12	1
45		266429-2	TAPPING SCREW 3X16	3
47		234315-5	COMPRESSION SPRING 6	1
48		318958-2	HOLDER JOINT B	1
48		455952-4	HOLDER JOINT C	1
A01		195246-2	SAFETY GOGGLE	1
A02		821710-4	PLASTIC CASE	1
A02B	C10	162271-8	LATCH	2
A02		123221-8	PISTON C ASSEMBLY	1
A02C	C10	424546-6	RUBBER SEAL	1
A03		***DC10WD	DC10WD BATTERY CHARGER	1
A03B	D10		COMPO-PARTS	
A03		142071-2	PISTON A COMPLETE	1
A04		197396-9	BATTERY BL1021B SET	2
A04		266827-0	PAN HEAD SCREW M3X18 WITH WR	2
A04-1		197396-9	BATTERY BL1021B SET	2
A04-2		191B85-0	BATTERY BL1021B SET	2
A05		456128-6	BATTERY COVER	2
A05		424547-4	RUBBER RING	1
A06		454226-0	NOZZLE	3
A07D		821710-4	PLASTIC CASE	1
A07D	C10	162271-8	LATCH	2
A08D		***DC10WD	DC10WD BATTERY CHARGER	1
A08D	D10		COMPO-PARTS	
A09D		197396-9	BATTERY BL1021B SET	2
A09-1D		197396-9	BATTERY BL1021B SET	2
A09-2D		191B85-0	BATTERY BL1021B SET	2
A10D		456128-6	BATTERY COVER	2