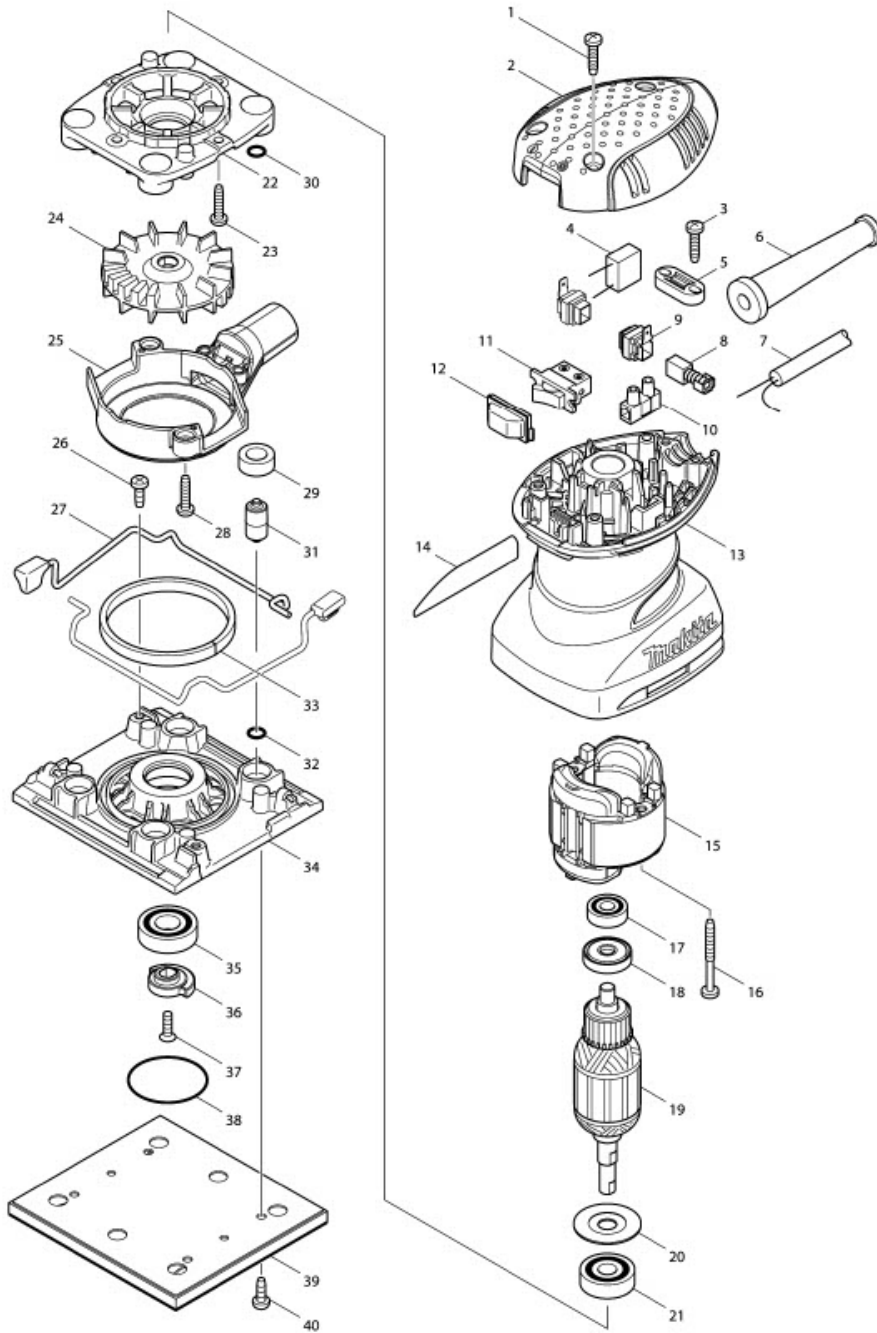


# Part Diagram

Model No. BO4556 FINISHING SANDER



| Item  | Sub | Parts No. | Parts Description            | Qty |
|-------|-----|-----------|------------------------------|-----|
| 1     |     | 265995-6  | TAPPING SCREW 4X18           | 3   |
| 2     |     | 450071-1  | TOP COVER                    | 1   |
| 3     |     | 265995-6  | TAPPING SCREW 4X18           | 2   |
| 5     |     | 687123-7  | STRAIN RELIEF                | 1   |
| 6     |     | 682569-2  | CORD GUARD 8-85              | 1   |
| 7     |     | 692006-8  | POWER SUPPLY CORD 1.0-2-2.0  | 1   |
| 8     |     | 191962-4  | CARBON BRUSH CB-419          | 1   |
| 9     |     | 643995-0  | BRUSH HOLDER                 | 2   |
| 10    |     | 654532-5  | TERMINAL BLOCK 1P            | 1   |
| 11    |     | 651527-9  | SWITCH                       | 1   |
| 12    |     | 424039-3  | SWITCH COVER                 | 1   |
| 13    |     | 450072-9  | MOTOR HOUSING                | 1   |
| 14    |     | 863715-8  | BO4556 NAME PLATE            | 1   |
| 15    |     | 593649-8  | FIELD ASS'Y 240V             | 1   |
| 15    | C10 | 654069-2  | RECEPTACLE                   | 2   |
| 015-1 |     | 593649-8  | FIELD ASS'Y 240V             | 1   |
| 015-1 | C10 | 654069-2  | RECEPTACLE                   | 2   |
| 16    |     | 266048-4  | TAPPING SCREW 4X40           | 2   |
| 17    |     | 210034-7  | BALL BEARING 607LLB          | 1   |
| 017-1 |     | 210062-2  | BALL BEARING 607ZZ           | 1   |
| 18    |     | 681652-2  | INSULATION WASHER            | 1   |
| 19    |     | 515708-8  | ARMATURE ASS'Y 220-240V      | 1   |
| 19    | D10 |           | INC. 17,18,20,21             |     |
| 20    |     | 267806-1  | WASHER 9                     | 1   |
| 21    |     | 211092-6  | BALL BEARING 629DDW          | 1   |
| 22    |     | 450070-3  | BEARING BOX                  | 1   |
| 23    |     | 265995-6  | TAPPING SCREW 4X18           | 4   |
| 24    |     | 241671-6  | FAN 63                       | 1   |
| 25    |     | 450069-8  | FAN GUIDE                    | 1   |
| 26    |     | 266020-6  | TAPPING SCREW 4X12           | 2   |
| 27    |     | 162259-8  | LEVER COMPLETE               | 2   |
| 28    |     | 265995-6  | TAPPING SCREW 4X18           | 2   |
| 29    |     | 424023-8  | SPONGE SLEEVE 9              | 4   |
| 30    |     | 213983-7  | O RING 4                     | 4   |
| 31    |     | 318151-8  | FOOT                         | 4   |
| 32    |     | 213983-7  | O RING 4                     | 4   |
| 33    |     | 424038-5  | SPONGE 6X185X3               | 1   |
| 033-1 |     | 424684-4  | SPONGE 7X87X3                | 1   |
| 033-2 |     | 424684-4  | SPONGE 7X87X3                | 1   |
| 34    |     | 450067-2  | BASE                         | 1   |
| 034-1 |     | 450067-2  | BASE                         | 1   |
| 35    |     | 211131-2  | BALL BEARING 6001DDW         | 1   |
| 36    |     | 313141-6  | BALANCER                     | 1   |
| 37    |     | 912117-6  | COUNTERSUNK HEAD SCREW M4X12 | 1   |
| 38    |     | 213510-0  | O RING 36                    | 1   |
| 39    |     | 158324-9  | PAD COMPLETE                 | 1   |
| 40    |     | 266020-6  | TAPPING SCREW 4X12           | 4   |
| A01   |     | 166078-4  | DUST BAG                     | 1   |
| A01-1 |     | 135222-4  | DUST BAG ASS'Y               | 1   |
| A01-1 | C10 | 166078-4  | DUST BAG                     | 1   |
| A01-1 | D10 |           | INC. A02-A04                 |     |
| A02   |     | 257202-1  | RING 25                      | 1   |
| A03   |     | 416063-0  | DUST BAG NOZZLE              | 1   |
| A04   |     | 416064-8  | DUST NOZZLE                  | 1   |
| A05   |     | 794195-6  | ABRASIVE PAPER SET 114X100   | 1   |
| A06   |     | 450066-4  | PUNCH PLATE                  | 1   |