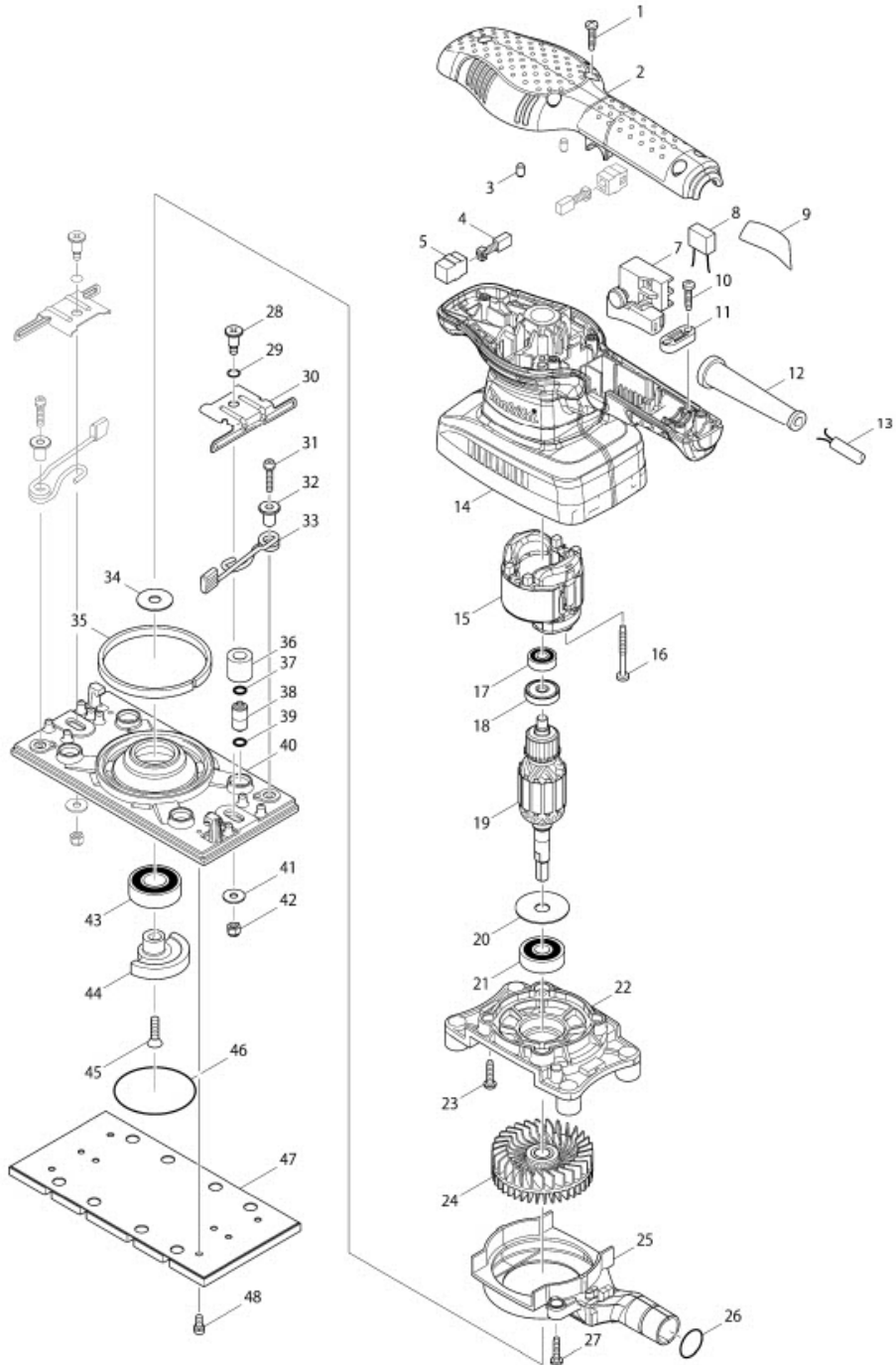


Part Diagram

Model No. BO3710 FINISHING SANDER



Item	Sub	Parts No.	Parts Description	Qty
1		265995-6	TAPPING SCREW 4X18	5
2		451268-5	TOP COVER	1
3		263002-9	RUBBER PIN 4	2
4		191627-8	CARBON BRUSH CB-64	1
5		643552-4	BRUSH HOLDER 5-8	2
7		651286-5	SWITCH SGEL206C-5	1
9		866995-5	BO3710 NAME PLATE	1
10		265995-6	TAPPING SCREW 4X18	2
11		687123-7	STRAIN RELIEF	1
12		682569-2	CORD GUARD 8-85	1
13		692006-8	POWER SUPPLY CORD 1.0-2-2.0	1
14		451270-8	MOTOR HOUSING	1
15		593703-8	FIELD ASSEMBLY 220-240V	1
15	C11	654037-5	INSULATED TERM. FT1.25-M3	2
015-1		593703-8	FIELD ASSEMBLY 220-240V	1
015-1	C11	654037-5	INSULATED TERM. FT1.25-M3	2
16		266048-4	TAPPING SCREW 4X40	2
17		210062-2	BALL BEARING 607ZZ	1
18		681652-2	INSULATION WASHER	1
19		515784-2	ARMATURE ASSEMBLY 240V	1
19	D10		INC. 17,18,20,21	
20		253180-3	FLAT WASHER 10	1
21		211087-9	BALL BEARING 6200DDW	1
22		451266-9	BEARING BOX	1
23		265995-6	TAPPING SCREW 4X18	4
24		240117-9	FAN 68	1
25		451267-7	FAN GUIDE	1
26		213315-8	O RING 19	1
27		265995-6	TAPPING SCREW 4X18	2
28		266511-7	+ FLAT FILLISTER HEAD SCREW M5	2
29		213045-1	O-RING 6	2
30		346102-1	PAPER CLAMP	2
31		911136-9	PAN HEAD SCREW M4X20	2
32		310300-3	SPRING GUIDE	2
33		162279-2	LEVER COMPLETE	2
34		267353-2	FLAT WASHER 8	1
035-1		423469-5	SPONGE 7X105X3	1
035-2		423469-5	SPONGE 7X105X3	1
36		424056-3	SPONGE SLEEVE 9	4
37		213983-7	O RING 4	4
38		318151-8	FOOT	4
39		213983-7	O RING 4	4
040-1		318484-1	BASE	1
41		253807-5	FLAT WASHER 5	2
42		252103-8	HEX. LOCK NUT M5-8	2
43		211228-7	BALL BEARING 6202DDW	1
44		310301-1	BALANCER	1
45		912222-9	COUNTERSUNK HEAD SCREW M5X16	1
46		213656-2	O RING 53	1
047-1		140441-9	PAD COMPLETE	1
48		911111-5	PAN HEAD SCREW M4X10 WITH W	4
A01		140115-2	DUST BAG COMPLETE	1
A02		451271-6	PUNCH PLATE	1
A03-1		A-31267	ABRASIVE PAPER 93X228 #120	1

