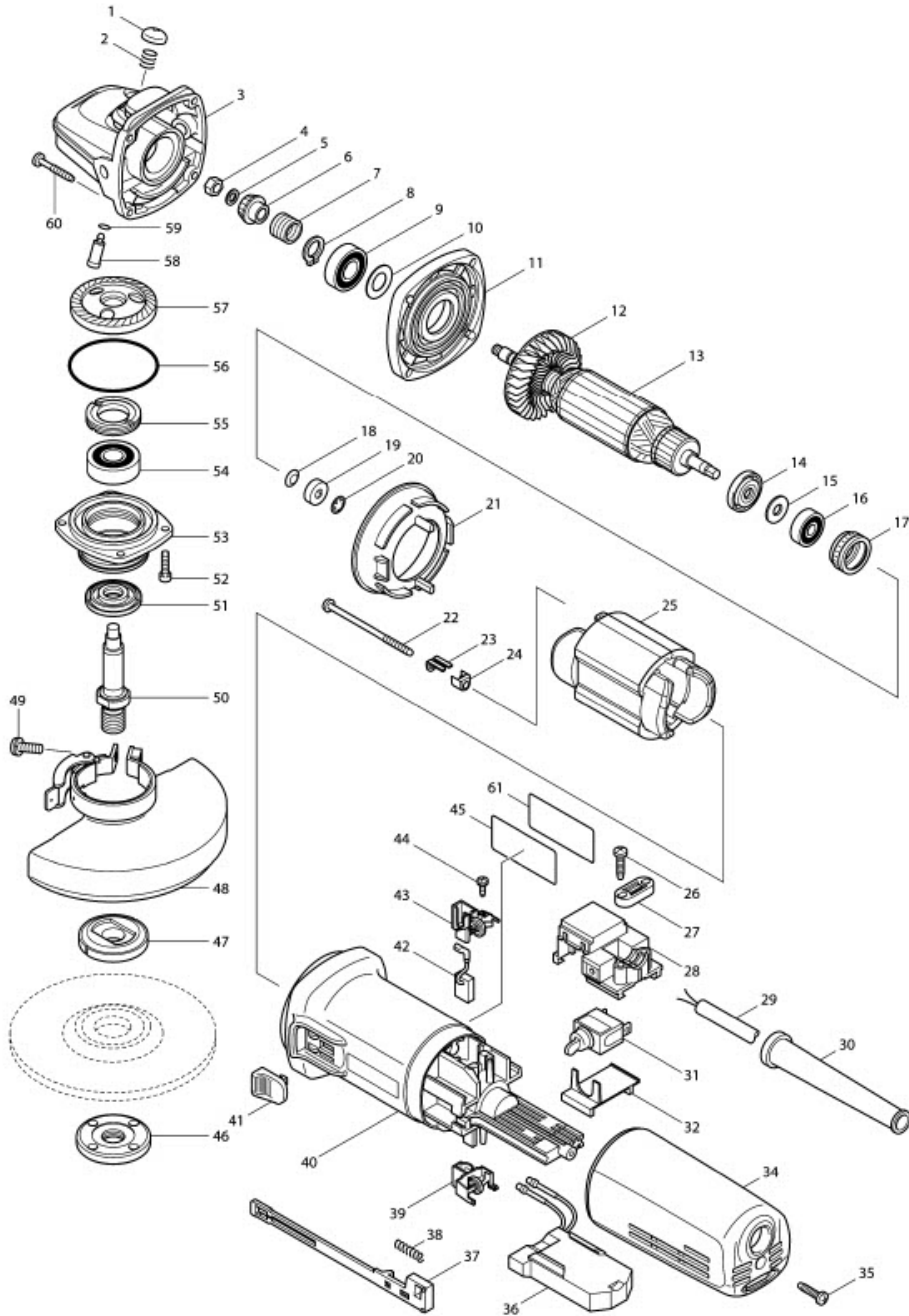


Part Diagram

Model No.9565CR 125MM ANGLE GRINDER



Item	Sub	Parts No.	Parts Description	Qty
1		418067-8	PIN CAP	1
2		233072-2	COMPRESSION SPRING 8	1
3		153488-4	GEAR HOUSING COMPLETE	1
4		931303-0	HEX. NUT M6	1
5		253077-6	FLAT WASHER 6	1
006-1		227513-8	SPIRAL BEVEL GEAR 11	1
7		233901-9	LOCK SPRING 12	1
8		961052-5	RETAINING RING S-12	1
9		211142-7	BALL BEARING 6001LLB	1
10		253084-9	FLAT WASHER 12	1
11		317359-1	GEAR HOUSING COVER	1
12		240033-5	FAN 57	1
13		515228-2	ARMATURE ASS'Y 220-240V	1
13	D10		INC. 12,14-16	
14		681656-4	INSULATION WASHER	1
15		253823-7	FLAT WASHER 7	1
16		210027-4	BALL BEARING 627DDW	1
17		421738-8	LABYRINTH RUBBER RING 22	1
18		267756-0	WAVE WASHER 6	1
19		688117-5	MAGNET SLEEVE	1
20		259039-2	SELF LOCK 6	1
21		413076-2	BAFFLE PLATE	1
22		266258-3	TAPPING SCREW 4X70	2
23		344871-8	RETAINER	2
24		417237-6	INSULATION COVER	2
25		626503-2	FIELD 220-240V	1
26		265995-6	TAPPING SCREW 4X18	2
027-1		687063-9	CORD CLAMP	1
28		638636-1	SWITCH BLOCK	1
29		692021-2	POWER SUPPLY CORD 1.0-2-2.5	1
30		682559-5	CORD GUARD 8	1
31		651418-4	SWITCH ST115A-40	1
32		687113-0	COVER	1
34		417185-9	REAR COVER	1
35		265995-6	TAPPING SCREW 4X18	1
36		631841-9	CONTROLLER	1
37		417186-7	SWITCH LEVER	1
38		233071-4	COMPRESSION SPRING 4	1
39		643760-7	BRUSH HOLDER	1
040-2		418512-3	MOTOR HOUSING	1
41		417813-6	SWITCH KNOB	1
42		191978-9	A.C. CARBON BRUSH CB-318	1
43		643760-7	BRUSH HOLDER	1
44		266256-7	TAPPING SCREW PT3X10	4
45		866176-1	9565CR NAME PLATE	1
46		224554-5	LOCK NUT 14-45	1
47		224415-9	INNER FLANGE 42	1
048-2		135108-2	TOOLLESS WHEEL COVER 125 ASS'Y	1
048-2	D10		INC. 49	
049-1		251391-4	PAN HEAD SCREW M5X16	1
50		324035-0	SPINDLE	1
51		415300-9	LABYRINTH RING	1
52		265490-6	HEX. SOCKET HEAD BOLT M4X16	4
053-1		318302-3	BEARING BOX	1
54		211129-9	BALL BEARING 6201DDW	1
55		285841-7	BEARING RETAINER	1
56		213673-2	O RING 52	1
057-1		227514-6	SPIRAL BEVEL GEAR 38	1

Item	Sub	Parts No.	Parts Description	Qty
58		256459-1	PIN	1
59		213048-5	O RING 6	1
60		266257-5	TAPPING SCREW 4X28	4
061-1		805W65-3	CLEAR LABEL	1
A01		153489-2	GRIP 36 COMPLETE	1
A02		B-56390	GRINDING HEAVY INDUSTRY125X7.2	1
A03		782423-1	LOCK NUT WRENCH 35	1