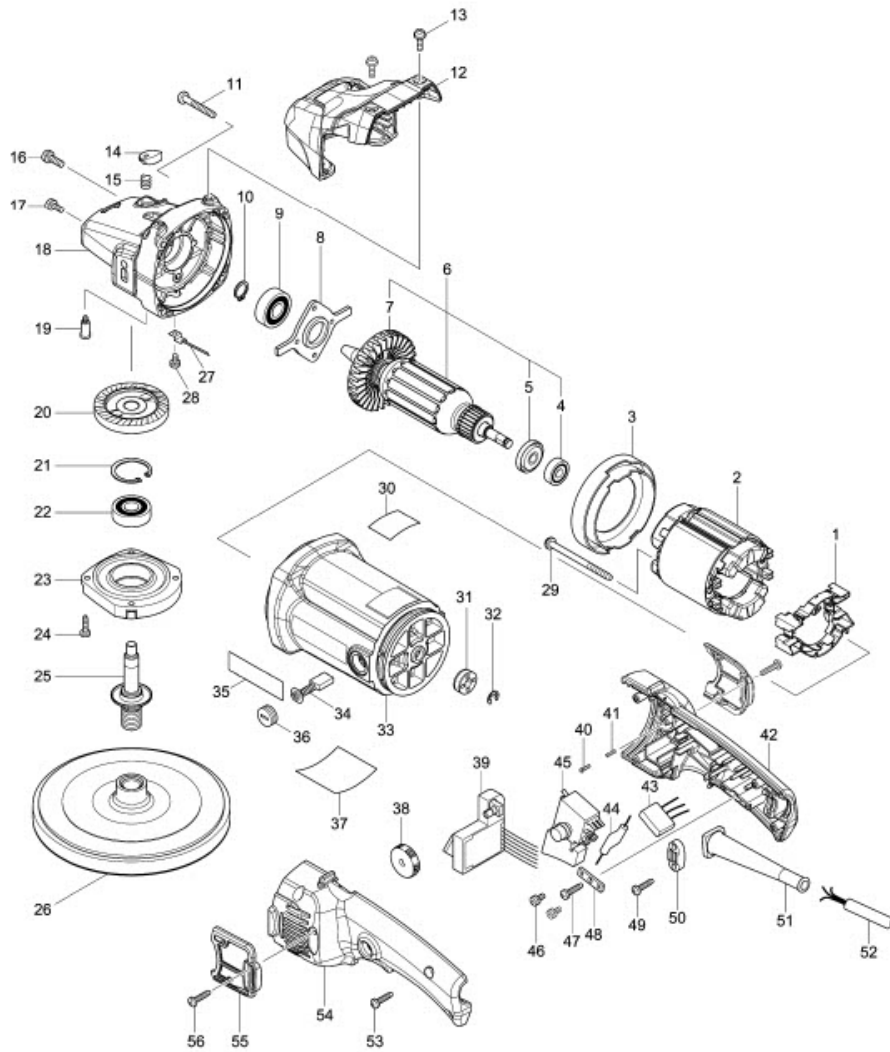


Part Diagram

Model No.9237C 180MM POLISHER



Item	Sub	Parts No.	Parts Description	Qty
1		539168-0	SUPPORT ASS'Y	1
1	C10	654020-2	RING TERMINAL	1
1	C20	654501-6	CONNECTOR P-1.25	1
2		634293-3	FIELD 220/240V	1
3		416253-5	BAFFLE PLATE	1
4		211031-6	BALL BEARING 608LLB	1
5		681644-1	INSULATION WASHER	1
6		516308-7	ARMATURE ASS'Y 220/240V	1
6	D10		INC. 4,5,7	
7		240002-6	FAN 70	1
8		285687-1	BEARING RETAINER 48	1
9		211106-1	BALL BEARING 6201LLB	1
10		961052-5	RETAINING RING S-12	1
11		266012-5	TAPPING SCREW 5X35	4
12		455291-2	HEAD COVER	1
13		911118-1	PAN HEAD SCREW M4X12	2
14		415491-6	PIN CAP	1
15		233072-2	COMPRESSION SPRING 8	1
16		911221-8	PAN HEAD SCREW M5X16	1
17		911211-1	PAN HEAD SCREW M5X12	1
18		142747-1	GEAR HOUSING COMPLETE	1
19		256504-2	SHOULDER PIN 9	1
20		227512-0	SPIRAL BEVEL GEAR 52	1
21		962151-6	RETAINING RING R-32	1
22		211106-1	BALL BEARING 6201LLB	1
23		316896-2	BEARING BOX	1
24		266034-5	TAPPING SCREW CT 4X16	4
25		152551-0	SPINDLE COMPLETE	1
25	C10	344347-5	LABYRINTH RING	1
26		743053-3	PAD 165	1
27		632783-0	LEAD UNIT	1
28		652014-1	PAN HEAD SCREW M4X8	1
29		266038-7	TAPPING SCREW 5X70	2
30		804M47-2	INDICATION LABEL	1
31		688110-9	MAGNET SLEEVE	1
32		961012-7	STOP RING E-6	1
33		187958-1	MOTOR HOUSING SET	1
33	C10	643708-9	BRUSH HOLDER 5-11	2
34		191963-2	CARBON BRUSH CB-303	1
36		643750-0	BRUSH HOLDER CAP 7-11	2
036-1		643515-0	HOLDER CAP 7-11	2
37		815Y28-3	9237C NAME PLATE	1
38		271417-6	DIAL 28	1
39		631227-7	CONTROLLER 200-250V	1
40		255058-6	RIVET 2	1
41		233002-3	COMPRESSION SPRING 3	1
42		187917-5	HANDLE SET	1
42	D10		INC. 54	
45		651282-3	SWITCH	1
46		652014-1	PAN HEAD SCREW M4X8	2
47		265995-6	TAPPING SCREW 4X18	1
48		654571-5	TERMINAL BLOCK	1
49		265995-6	TAPPING SCREW 4X18	2
50		687053-2	STRAIN RELIEF	1
51		682573-1	CORD GUARD 10	1
52		692417-7	POWER SUPPLY CORD 1.0-3-2.5	1
53		265995-6	TAPPING SCREW 4X18	1
54		187917-5	HANDLE SET	1

Item	Sub	Parts No.	Parts Description	Qty
54	D10		INC. 42	
55		455288-1	DUST COVER	2
56		265995-6	TAPPING SCREW 4X18	2
A01		266171-5	HEX. SOCKET HEAD BOLT M8X25	2
A02		783204-6	HEX. WRENCH 6	1
A03		262542-4	SLEEVE 18	1
A04		455292-0	LOOP HANDLE	1
A05		192629-7	WOOL PAD 180	1