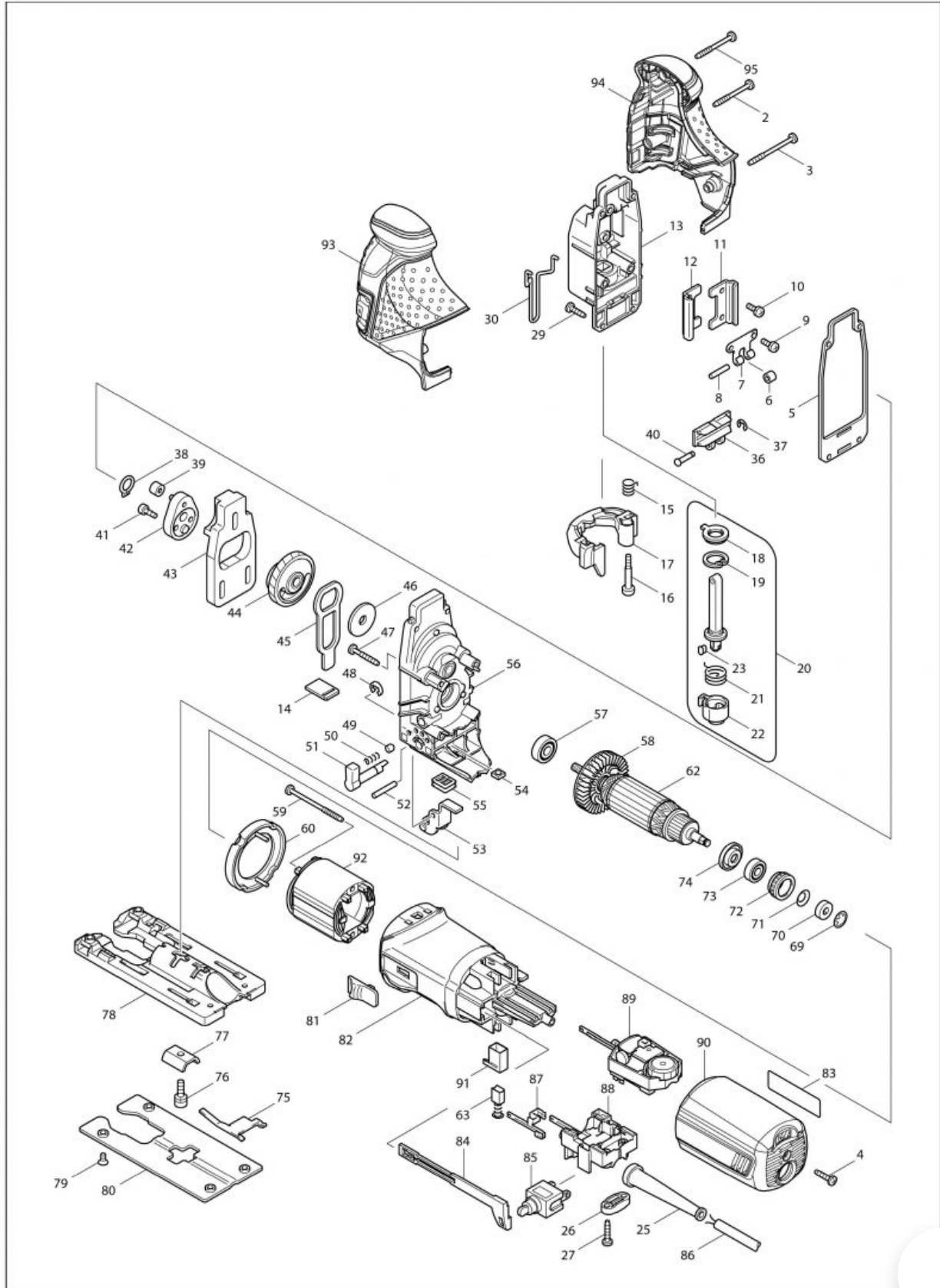


# Part Diagram

(MY) 4351CT / JIG SAW



Item	Sub	Parts No.	Parts Description	Qty
002		266048-4	TAPPING SCREW 4X40	1
003		266091-3	TAPPING SCREW 4X50	1
004		265995-6	TAPPING SCREW 4X18	1
005		442138-9	PACKING	1
006		214031-5	PLANE BEARING 4	1
007		232207-2	LEAF SPRING	1
008		256117-9	PIN 4	1
009		911111-5	PAN HEAD SCREW M4X10 WITH W	2
010		911111-5	PAN HEAD SCREW M4X10 WITH W	2
011		345240-6	LINEAR GUIDE	1
012		345240-6	LINEAR GUIDE	1
013		153338-3	GEAR HOUSING COVER COMPLETE	1
	C10	253313-0	THIN WASHER 14	1
	C20	257250-0	RING 20	1
	C30	421815-6	DUST SEAL 8	1
014		417839-8	SEAL PLATE	1
015		231659-4	TORSION SPRING 6	1
016		265026-1	+ PAN HEAD SCREW M4	1
017		419820-5	TOOL OPENER	1
018		421817-2	DUST COVER	1
019		962068-3	RETAINING RING R-18	1
020		135060-4	ROD ASSY	1
	C10	165326-8	ROD	1
	D10		INC. 18,19,21-23	
021		231660-9	TORSION SPRING 15	1
022		310136-0	BLADE HOLDER	1
023		310135-2	PUSH PIN	1
025		682559-5	CORD GUARD 8	1
026-1		687063-9	CORD CLAMP	1
027		265995-6	TAPPING SCREW 4X18	2
029		266034-5	TAPPING SCREW CT 4X16	4
030		324233-6	SAFETY WIRE	1
036		310134-4	SLIDER	1
037		961017-7	STOP RING E-3	1
038		961004-6	RETAINING RING (EXT) S-8	1
039-1		212092-9	NEEDLE BEARING 407	1
040		268090-1	PIN 4	1
041		265353-6	HEX. SOCKET HEAD BOLT M4X12	2
042		153336-7	CRANK COMPLETE	1
043		313108-4	BALANCE PLATE	1
044		153335-9	GEAR COMPLETE	1
	C10	212043-2	NEEDLE BEARING 810	2
045		345235-9	PUSH PLATE	1
046		253877-4	FLAT WASHER 8	1
047		266050-7	TAPPING SCREW 4X30	4
048		961018-5	STOP RING E-5	1
049		286032-3	CAP 5	1
050		233139-6	COMPRESSION SPRING 3	1
051-1		272280-0	LEVER 17	1
052		268063-4	PIN 4	1
053		153334-1	RETAINER COMPLETE	1
054		252171-1	SQUARE NUT M5-8	1
055		421816-4	DUST SEAL	1
056		153337-5	GEAR HOUSING COMPLETE	1
057		210005-4	BALL BEARING 608DDW	1
058		241881-5	FAN 52	1
059		266052-3	TAPPING SCREW 4X60	1
060		417838-0	BAFFLE PLATE	1

Item	Sub	Parts No.	Parts Description	Qty
062		517398-3	ARMATURE ASS'Y 220-240V	1
	D10		INC. 57,58,73,74	
063		191962-4	CARBON BRUSH CB-419	1
069		259039-2	SELF LOCK 6	1
070		688117-5	MAGNET SLEEVE	1
071		267756-0	WAVE WASHER 6	1
072		421494-0	RUBBER RING 19	1
073		211021-9	BALL BEARING 607LLB	1
074		681636-0	INSULATION WASHER	1
075		232208-0	LEAF SPRING	1
076		922226-3	HEX. SOCKET HEAD BOLT M5X18	1
077		345237-5	CRANK PLATE	1
078		317565-8	BASE	1
079		912107-9	COUNTERSUNK HEAD SCREW M4X8	4
080		345238-3	BASE PLATE	1
081		417840-3	SWITCH LEVER	1
082		419893-8	MOTOR HOUSING	1
083		863686-9	4351CT NAME PLATE	1
084		417841-1	SWITCH ROD	1
085		651428-1	SWITCH STL115ADF-CD	1
085-1		651069-3	SWITCH ST115A-TB-F2	1
086		692021-2	POWER SUPPLY CORD 1.0-2-2.5	1
087		654223-8	TERMINAL F	2
088		638110-9	SWITCH BLOCK UNIT	1
089		631770-6	CONTROLLER	1
090		419896-2	REAR COVER	1
091		643975-6	BRUSH HOLDER	2
092		633518-2	FIELD 220-240V	1
093		188289-1	HEAD COVER SET	1
	D10		INC. 94	
094		188289-1	HEAD COVER SET	1
	D10		INC. 93	
095		266048-4	TAPPING SCREW 4X40	1
A01		415524-7	ANTI-SPLINTERING DEVICE	1
A02		417852-6	COVER PLATE	1
A03-1		A-85737	JIGSAW BLADE NO.B22	1
A04-1		A-85628	JIGSAW BLADE NO.B10	1
A05-1		A-85793	JIGSAW BLADE NO.BR13	1
A06		783202-0	HEX. WRENCH 4	1
A07		824809-4	PLASTIC CARRYING CASE	1
A08		417853-4	DUST NOZZLE	1