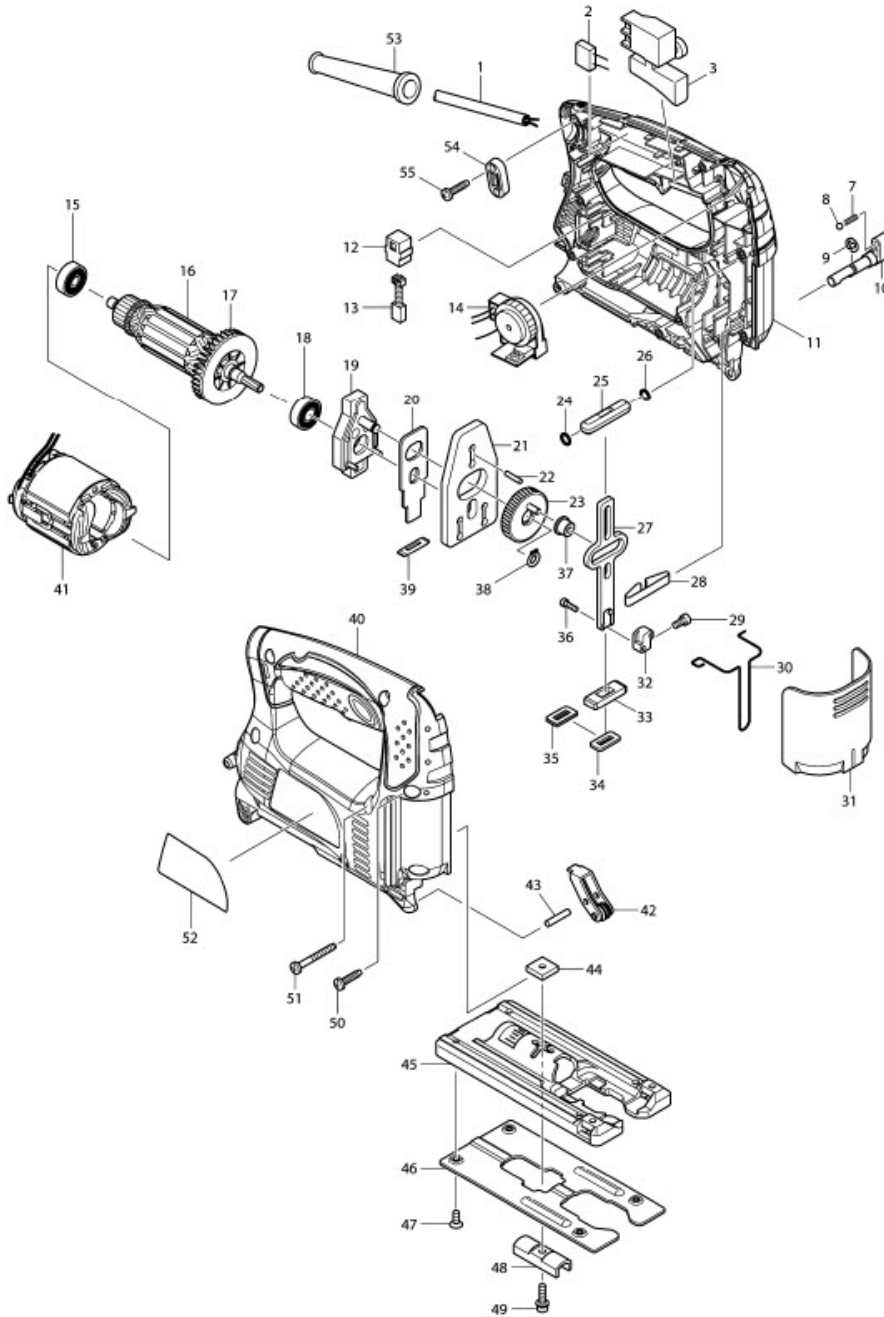


Part Diagram

Model No.4329 JIG SAW



Item	Sub	Parts No.	Parts Description	Qty
1		692006-8	POWER SUPPLY CORD 1.0-2-2.0	1
3		651286-5	SWITCH SGEL206C-5	1
7		233151-6	COMPRESSION SPRING 4	1
8		216008-6	STEEL BALL 4	1
9		961011-9	STOP RING E-4	1
10		272239-7	LEVER 18	1
11		188338-4	HOUSING SET	1
11	C10	263002-9	RUBBER PIN 4	2
11	D10		INC. 40	
012-1		643552-4	BRUSH HOLDER 5-8	2
13		191627-8	CARBON BRUSH CB-64	1
014-1		620411-9	CONTROLLER	1
15		210025-8	BALL BEARING 627LLB	1
16		515719-3	ARMATURE ASSY 240V	1
16	D10		INC. 15,17,18	
17		241881-5	FAN 52	1
18		210005-4	BALL BEARING 608DDW	1
19		152600-3	BEARING CASE COMPLETE	1
20		344683-9	PUSH PLATE	1
21		344614-8	BALANCE PLATE	1
22		256254-9	PIN 3	1
23		153260-4	GEAR COMPLETE	1
24		213038-8	O RING 5	1
25		313082-6	SLIDER GUIDE	1
26		213038-8	O RING 5	1
27		344613-0	SLIDER	1
28		232183-0	LEAF SPRING	1
29		922107-1	HEX. SOCKET HEAD BOLT M4X8	1
30		323748-0	SAFETY WIRE	1
31		416476-5	DUST COVER	1
32		313140-8	BLADE CLAMP	1
33		313086-8	SLIDER SUPPORT	1
34		423307-1	POLY URETANE SPONGE SEAL	1
35		344686-3	SEAL PLATE	1
36		266177-3	HEX. SOCKET HEAD BOLT M3X10	2
37		257683-9	COLLAR SLEEVE	1
38		961002-0	RETAINING RING S-6	1
39		416703-0	DUST SEAL	1
40		188338-4	HOUSING SET	1
40	C10	263002-9	RUBBER PIN 4	2
40	D10		INC. 11	
41		633658-6	FIELD 220-240V	1
42		158392-2	RETAINER COMPLETE	1
43		256117-9	PIN 4	1
44		343540-8	HOLDER	1
45		317796-9	BASE	1
46		345441-6	BASE PLATE	1
47		912107-9	COUNTERSUNK HEAD SCREW M4X8	4
48		344685-5	CLAMP PLATE	1
048-1		344685-5	CLAMP PLATE	1
49		922128-3	HEX. SOCKET HEAD BOLT M4X16	1
50		265995-6	TAPPING SCREW 4X18	9
51		266053-1	TAPPING SCREW 4X35	1
52		863970-2	4329 NAME PLATE	1
053-1		682502-4	CORD GUARD 8-85	1
054-2		687123-7	STRAIN RELIEF	1
55		265995-6	TAPPING SCREW 4X18	2
A01-1		A-85628	JIGSAW BLADE NO.B10	1

Item	Sub	Parts No.	Parts Description	Qty
A02		783201-2	HEX. WRENCH 3	1