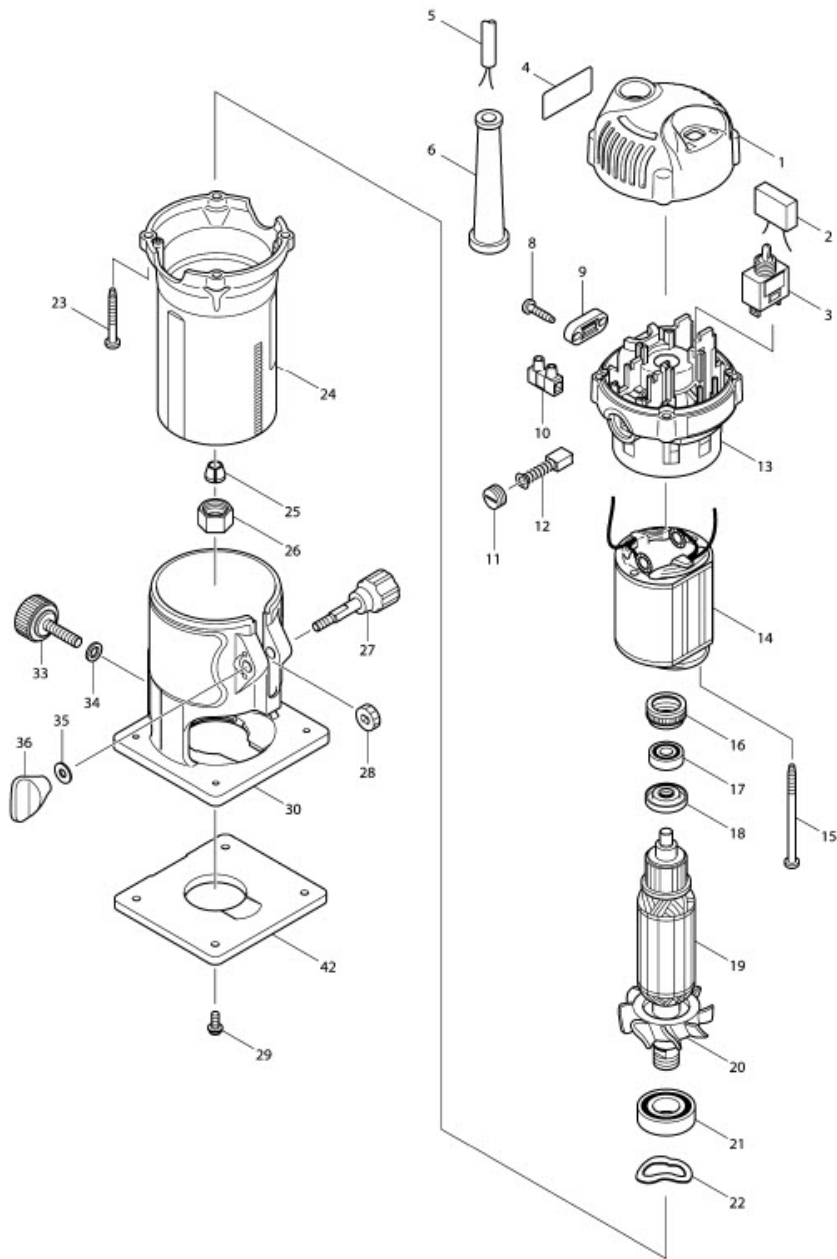


# Part Diagram

Model No.3709 TRIMMER



Item	Sub	Parts No.	Parts Description	Qty
1		419137-6	TOP COVER	1
3		651425-7	SWITCH STL115ADT	1
003-1		651066-9	SWITCH ST115A-TB-S1	1
4		861695-2	3709 NAME PLATE	1
5		692021-2	POWER SUPPLY CORD 1.0-2-2.5	1
6		682569-2	CORD GUARD 8-85	1
8		266326-2	TAPPING SCREW 4X18	2
9		687123-7	STRAIN RELIEF	1
11		643550-8	BRUSH HOLDER CAP 5-8	2
12		191940-4	CARBON BRUSH CB-411	1
13		154669-3	BRACKET COMPLETE	1
13	C10	643455-2	BRUSH HOLDER 6X9	2
013-1		140L18-2	BRACKET COMPLETE	1
013-1	C10	643455-2	BRUSH HOLDER 6X9	2
14		590019-2	FIELD ASS'Y 240V	1
14	C10	654100-4	RING TERMINAL	2
14	C20	654501-6	CONNECTOR P-1.25	2
014-1		590087-5	FIELD ASSY 240V	1
014-1	C10	654100-4	RING TERMINAL	2
014-1	C20	654501-6	CONNECTOR P-1.25	2
15		266340-8	TAPPING SCREW 4X65	2
16		421494-0	RUBBER RING 19	1
17		210034-7	BALL BEARING 607LLB	1
018-1		681668-7	INSULATION WASHER	1
19		515634-1	ARMATURE ASS'Y 240V	1
19	D10		INC. 17,18,20,21	
20		241667-7	FAN 52	1
021-2		211489-9	BALL BEARING 6002LLUX	1
22		267785-3	WAVE WASHER 23	1
23		266351-3	TAPPING SCREW 4X35	4
24		154668-5	MOTOR HOUSING COMPLETE	1
24	C10	816817-9	SCALE LABEL	1
25		763663-0	COLLET CONE 6.35	1
26		763661-4	COLLET NUT 6	1
27		265771-8	THUMB SCREW M5X33	1
28		226217-9	SPUR GEAR 16	1
29		265142-9	+ PAN HEAD SCREW M4X10	4
30		419138-4	BASE	1
33		265763-7	THUMB SCREW M6X25	1
34		941151-9	FLAT WASHER 6	1
35		941101-4	FLAT WASHER 5	1
36		252652-5	THUMB NUT M5	1
42		410585-2	BASE PROTECTOR	1
A01		122703-7	TRIMMER GUIDE ASS'Y	1
A01	C10	251471-6	- FLAT HEAD SCREW M5	1
A01	C20	265135-6	+ COUNTERSUNK HEAD SCREW M4X10	1
A01	C30	265763-7	THUMB SCREW M6X25	1
A01	C40	265764-5	THUMB SCREW M6	1
A01	C50	317788-8	GUIDE HOLDER	1
A01	C60	324378-0	ROLLER 11	1
A01	C71	341136-9	HOOK	1
A01	C80	941151-9	FLAT WASHER 6	1
A02		122704-5	STRAIGHT GUIDE ASS'Y	1
A02	C10	252649-4	THUMB NUT M6	1
A02	C20	266339-3	CAP SQUARE NECK BOLT M6X20	1
A02	C31	343593-7	GUIDE PLATE	1
A03-1		343577-5	TEMPLER GUIDE 10	1
A04		781036-5	WRENCH 10	1

Item	Sub	Parts No.	Parts Description	Qty
A05		781037-3	WRENCH 17	1
A06		418647-0	CHIP DEFLECTOR	1
A07		733238-9	STRAIGHT BIT 6E	1

