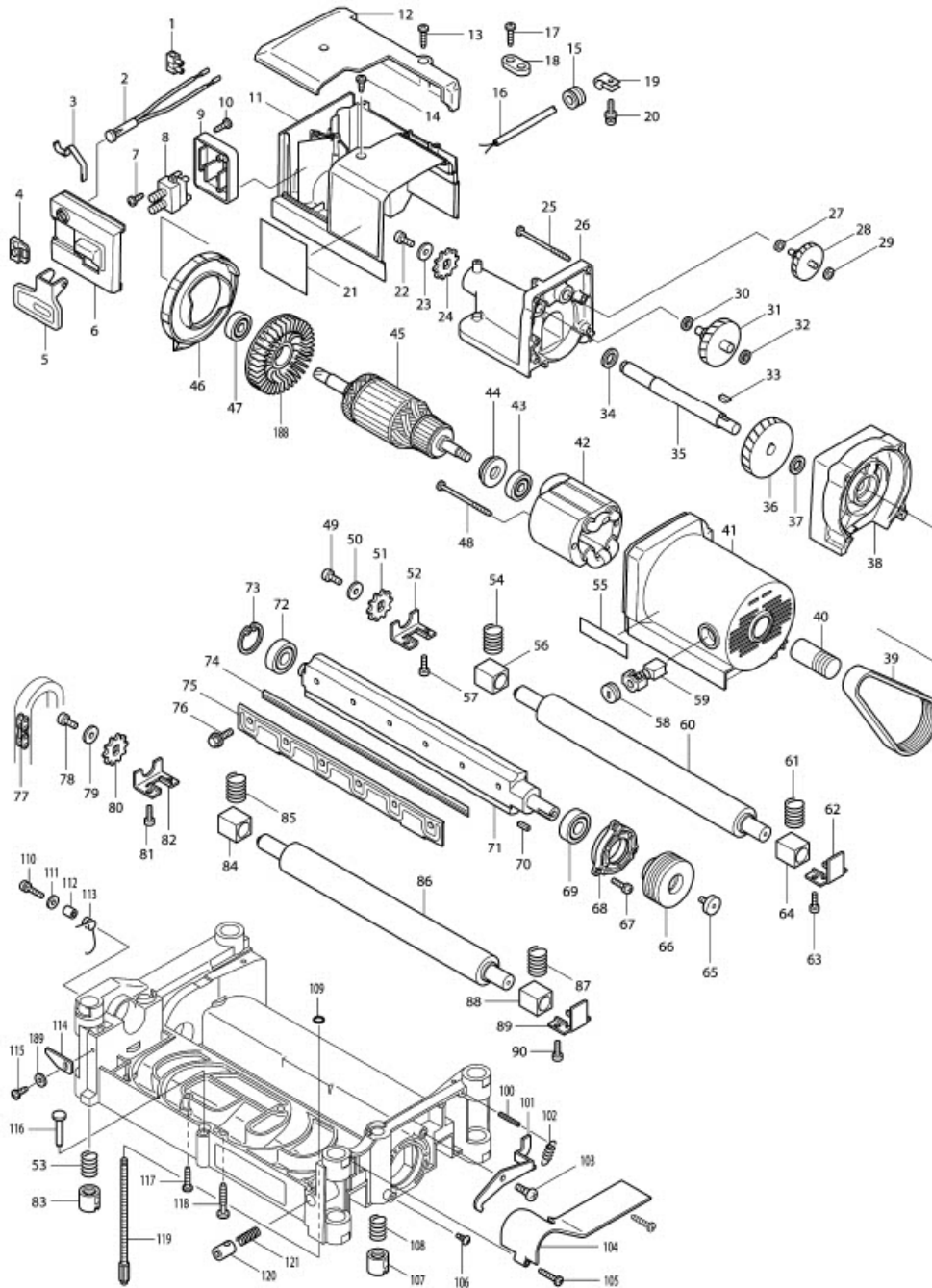
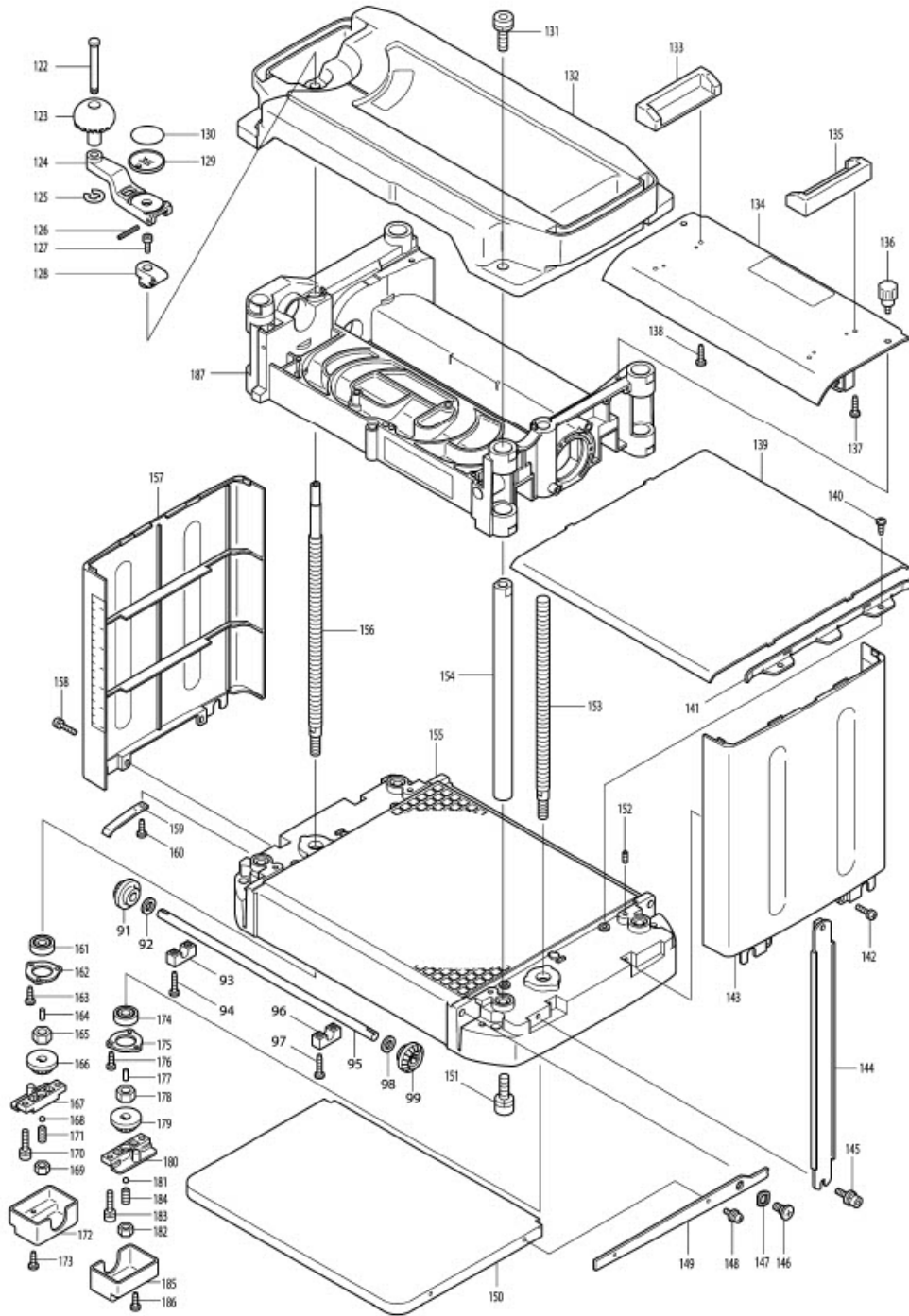


# Part Diagram

Model No.2012NB PLANER 304MM



Model No.2012NB PLANER 304MM



Item	Sub	Parts No.	Parts Description	Qty
1		654561-8	TERMINAL BLOCK	1
002A_		631371-0	PILOT LAMP COMPLETE	1
5		417031-6	SWITCH LEVER	1
6		417037-4	SWITCH COVER	1
7		265954-0	TAPPING SCREW BIND PT3X8	2
8		651510-6	SWITCH ALA263	1
008-1		651529-5	SWITCH ELE115AY	1
9		417044-7	SWITCH BASE	1
10		266192-7	TAPPING SCREW 4X14	3
11		417041-3	SWITCH BOX	1
12		417038-2	SWITCH BOX COVER	1
13		265995-6	TAPPING SCREW 4X18	2
14		266026-4	TAPPING SCREW BIND CT 4X12	2
15		682539-1	GROMMET	1
016G_		692527-0	POWER SUPPLY CORD 1.0-2-2.5	1
17		265995-6	TAPPING SCREW 4X18	2
18		687052-4	STRAIN RELIEF	1
018-1		687124-5	STRAIN RELIEF	1
19		687042-7	STRAIN RELIEF	1
20		911118-1	PAN HEAD SCREW M4X12	1
020-1		911128-8	P.H.SCREW M4X16 WITH WR	1
21		851968-1	NAME PLATE 2012NB	1
22		922317-0	HEX. SOCKET HEAD BOLT M6X14	1
022-1		922312-0	HEX. SOCKET HEAD BOLT M6X12	1
23		267080-1	FLAT WASHER 6	1
24		221525-3	SPROCKET 10	1
25		266059-9	TAPPING SCREW 5X75	4
26		151739-9	GEAR HOUSING COVER COMPLETE	1
26	C10	214014-5	PLANE BEARING 6	1
26	C20	214022-6	PLANE BEARING 8	1
26	C30	214156-5	PLANE BEARING 14	1
26	C40	256041-6	PIN 6	2
27		253715-0	FLAT WASHER 6	1
28		226134-3	GEAR COMPLETE 8-50	1
29		253715-0	FLAT WASHER 6	1
30		253215-0	FLAT WASHER 8	1
31		226135-1	GEAR COMPLETE 8-46	1
32		253215-0	FLAT WASHER 8	1
33		254001-2	WOODRUFF KEY 4	1
34		253760-5	FLAT WASHER 14	1
35		323923-8	DRIVE SHAFT	1
36		226518-5	HELICAL GEAR 47	1
37		253744-3	FLAT WASHER 12	1
38		151738-1	GEAR HOUSING COMPLETE	1
38	C10	214014-5	PLANE BEARING 6	1
38	C20	214022-6	PLANE BEARING 8	1
38	C30	214109-4	PLANE BEARING 12	1
39		225083-1	POLY V-BELT 8-341	1
40		222155-3	V-PULLEY 8-23.5L	1
41		151737-3	MOTOR HOUSING COMPLETE	1
41	C10	643660-1	BRUSH HOLDER 6.5-13.5	2
41	C11	643653-8	BRUSH HOLDER 6.5-13.5	2
042B_		526104-5	FIELD ASS'Y 230-240V	1
042B_	C10	654020-2	RING TERMINAL	2
042B_	C20	654502-4	CONNECTOR P-2	1
43		211087-9	BALL BEARING 6200DDW	1
44		681623-9	INSULATION WASHER	1
045B_		516813-4	ARMATURE ASS'Y 220-240V	1

Item	Sub	Parts No.	Parts Description	Qty
045B_	D10		INC. 43,44,47,188	
46		417033-2	BAFFLE PLATE	1
47		211087-9	BALL BEARING 6200DDW	1
48		266059-9	TAPPING SCREW 5X75	2
49		922317-0	HEX. SOCKET HEAD BOLT M6X14	1
049-1		922312-0	HEX. SOCKET HEAD BOLT M6X12	1
50		267080-1	FLAT WASHER 6	1
51		221525-3	SPROCKET 10	1
52		343844-8	METAL COVER (B)	1
53		233016-2	COMPRESSION SPRING 15	1
54		231459-2	COMPRESSION SPRING 13	1
56		214251-1	PLANE BEARING 17	1
57		922221-3	HEX. SOCKET HEAD BOLT M5X16	2
58		643650-4	BRUSH HOLDER CAP 6.5-13.5	2
058-1		643650-4	BRUSH HOLDER CAP 6.5-13.5	2
059A_		181044-0	CARBON BRUSH CB-153	1
60		162216-6	ROLLER 34-295	1
61		231459-2	COMPRESSION SPRING 13	1
62		341685-6	METAL COVER (A)	1
63		922221-3	HEX. SOCKET HEAD BOLT M5X16	2
64		214251-1	PLANE BEARING 17	1
65		265854-4	HEX. SOCKET HEAD BOLT M6X12	1
66		222154-5	V-PULLEY 8-54	1
67		911128-8	PH.SCREW M4X16 WITH WR	3
68		317259-5	BEARING BOX	1
69		211206-7	BALL BEARING 6202LLB	1
70		254204-8	KEY 4	1
71		323928-8	DRUM	1
72		211206-7	BALL BEARING 6202LLB	1
73		962153-2	RETAINING RING R-35	1
74		793346-8	PLANER BLADE 306	1
75		343682-8	SET PLATE	2
76		251609-3	HEX. FLANGE HEAD BOLT M6X17	12
77		225520-5	CHAIN 35-46	1
78		922317-0	HEX. SOCKET HEAD BOLT M6X14	1
078-1		922312-0	HEX. SOCKET HEAD BOLT M6X12	1
79		267080-1	FLAT WASHER 6	1
80		221525-3	SPROCKET 10	1
81		922221-3	HEX. SOCKET HEAD BOLT M5X16	2
82		343844-8	METAL COVER (B)	1
83		252426-4	NUT M14	1
84		214251-1	PLANE BEARING 17	1
85		231459-2	COMPRESSION SPRING 13	1
86		162216-6	ROLLER 34-295	1
87		231459-2	COMPRESSION SPRING 13	1
88		214251-1	PLANE BEARING 17	1
89		341685-6	METAL COVER (A)	1
90		922221-3	HEX. SOCKET HEAD BOLT M5X16	2
91		226786-0	STRAIGHT BEVEL GEAR 15	1
92		253828-7	FLAT WASHER 10	1
93		417034-0	SHAFT RETAINER	1
94		266040-0	TAPPING SCREW CT 4X25	2
95		323926-2	SHAFT 10	1
96		417034-0	SHAFT RETAINER	1
97		266040-0	TAPPING SCREW CT 4X25	2
98		253828-7	FLAT WASHER 10	1
99		226786-0	STRAIGHT BEVEL GEAR 15	1
100		951122-8	SPRING PIN 4-28	1
101		344815-8	LOCK PLATE	1

Item	Sub	Parts No.	Parts Description	Qty
102		231793-0	TENSION SPRING 5	1
103		251283-7	+ PAN HEAD SCREW M5	1
104		417035-8	BELT COVER	1
105		266040-0	TAPPING SCREW CT 4X25	2
106		251322-3	+ PAN HEAD SCREW M5X12	2
107		252427-2	NUT M14L	1
108		233016-2	COMPRESSION SPRING 15	1
109		213009-5	O RING 4	1
110		911233-1	PAN HEAD SCREW M5X20	1
111		253194-2	FLAT WASHER 5	1
112		257600-9	SLEEVE 6	1
113		231588-1	TORSION SPRING 9	1
114		344068-9	POINTER	1
115		266026-4	TAPPING SCREW BIND CT 4X12	1
116		322229-1	GAUGE	1
117		266040-0	TAPPING SCREW CT 4X25	2
118		266173-1	TAPPING SCREW 5X30	2
119		265736-0	SCREW M6X135	1
120		323927-0	HALF NUT	1
121		231226-5	COMPRESSION SPRING 11	1
122		256688-6	PIN 8	1
123		271296-2	KNOB 45	1
124		272026-4	HANDLE 160	1
124-1		272028-0	HANDLE 160	1
125		961012-7	STOP RING E-6	1
126		951122-8	SPRING PIN 4-28	1
127		266086-6	HEX. SOCKET HEAD BOLT M5X16	1
128		317261-8	JOINT	1
128-1		317760-0	JOINT	1
129		417032-4	GAUGE	1
130A_		816358-5	SCALE LABEL	1
131		266240-2	HEX. SOCKET HEAD BOLT M10X25	4
132		151920-2	TOP COVER COMPLETE	1
132	C10	816359-3	INDICATION LABEL	1
132	C20	817737-0	CAUTION LABEL	1
132-1		153781-6	TOP COVER COMPLETE	1
132-1	C10	816359-3	INDICATION LABEL	1
132-1	C20	817737-0	CAUTION LABEL	1
133		417036-6	TOOL BOX HOLDER	1
134		165272-5	CHIP COVER	1
134-1		165379-7	CHIP COVER	1
135		417036-6	TOOL BOX HOLDER	1
136		265716-6	SCREW M5X10	2
137		265995-6	TAPPING SCREW 4X18	2
138		265995-6	TAPPING SCREW 4X18	2
139		344816-6	TABLE PLATE	1
140		266026-4	TAPPING SCREW BIND CT 4X12	4
141		344819-0	GUIDE PLATE	2
142		911128-8	P.H.SCREW M4X16 WITH WR	2
143		417040-5	SIDE COVER	1
144		344820-5	SIDE BEAM	2
145		922323-5	HEX.SOCKET HEAD BOLT M6X16	4
146		251217-0	+ BINDING HEAD SCREW M8	4
147		253932-2	WAVE WASHER 10	4
148		911108-4	PAN HEAD SCREW M4X8	8
149		344818-2	ARM	
150		344817-4	SUB TABLE PLATE	
151		266240-2	HEX. SOCKET HEAD BOLT M10X25	
152		266213-5	H.S.SET SCREW(FLAT POINT)M5X12	4

Item	Sub	Parts No.	Parts Description	Qty
153		323925-4	SCREW L	1
154		331562-0	COLUMN 20	4
155		317266-8	TABLE	1
155-1		317763-4	TABLE	1
156		323924-6	SCREW R	1
157		151886-6	SIDE COVER COMPLETE	1
157	C10	816354-3	SCALE LABEL	1
158		911128-8	P.H.SCREW M4X16 WITH WR	2
159		232195-3	LEAF SPRING	2
160		266026-4	TAPPING SCREW BIND CT 4X12	2
161		211088-7	BALL BEARING 6000DDW	1
162		285698-6	BEARING RETAINER 33	1
163		266026-4	TAPPING SCREW BIND CT 4X12	3
164		256226-4	PIN 4	1
165		252164-8	HEX.NUT M10-17	1
166		226791-7	STRAIGHT BEVEL GEAR 15	1
167		317260-0	SUPPORTER	1
168		216011-7	STEEL BALL 5.6	1
169		931403-6	HEX. NUT M8	1
170		922231-0	HEX. SOCKET HEAD BOLT M5X20	2
171		265846-3	H.S.SET SCREW(CUP POINT)M8X16	1
172		417030-8	GEAR COVER	1
173		266026-4	TAPPING SCREW BIND CT 4X12	1
174		211088-7	BALL BEARING 6000DDW	1
175		285698-6	BEARING RETAINER 33	1
176		266026-4	TAPPING SCREW BIND CT 4X12	3
177		256226-4	PIN 4	1
178		252164-8	HEX.NUT M10-17	1
179		226791-7	STRAIGHT BEVEL GEAR 15	1
180		317260-0	SUPPORTER	1
181		216011-7	STEEL BALL 5.6	1
182		931403-6	HEX. NUT M8	1
183		922231-0	HEX. SOCKET HEAD BOLT M5X20	2
184		265846-3	H.S.SET SCREW(CUP POINT)M8X16	1
185		417030-8	GEAR COVER	1
186		266026-4	TAPPING SCREW BIND CT 4X12	1
187A_		317265-0	MAIN FRAME	1
187A1		317762-6	MAIN FRAME	1
188		240003-4	FAN 80	1
189		941051-3	FLAT WASHER 4	1
A01		762014-4	MAGNETIC HOLDER	2
A02		782203-5	SOCKET WRENCH 9	1
A03		783208-8	HEX. WRENCH 2.5	1
A08		824002-0	PLASTIC CASE	1