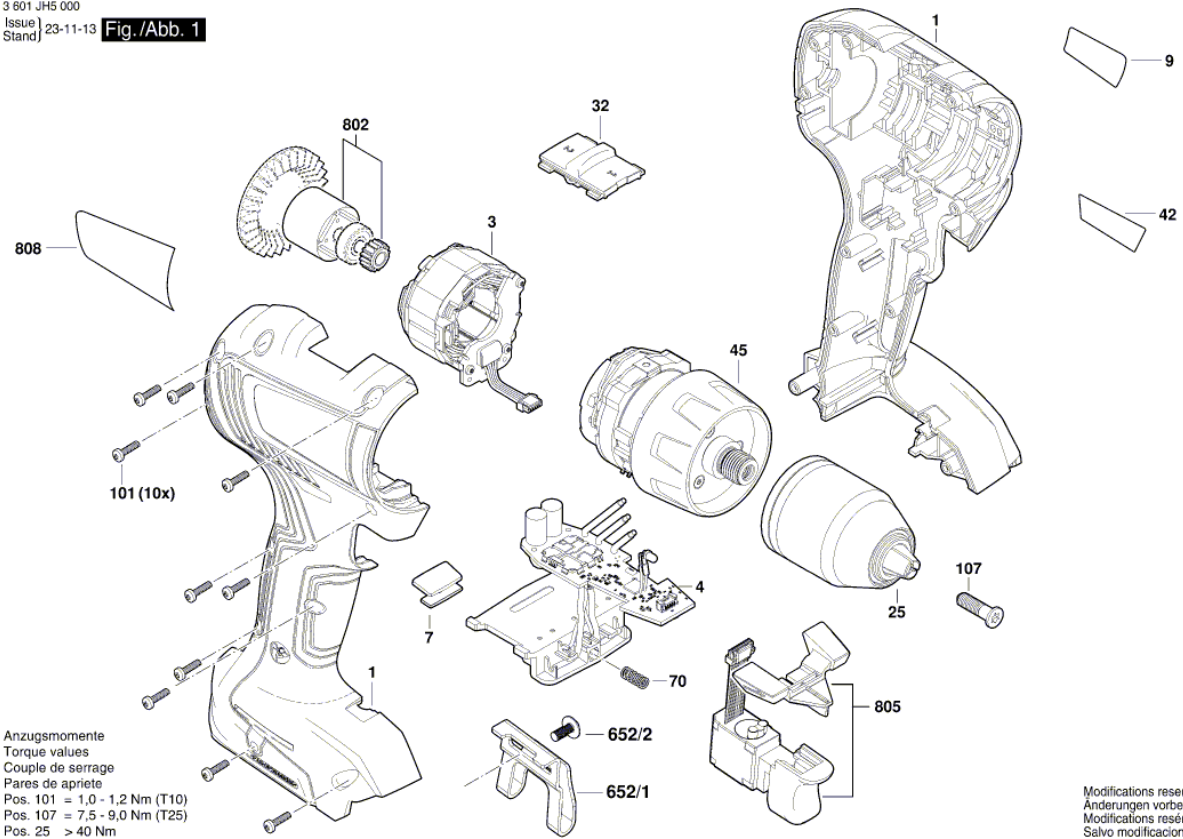


Illustration - Type - E

3 601 JH5 000  
 Issue | 23-11-13  
 Stand | **Fig./Abb. 1**

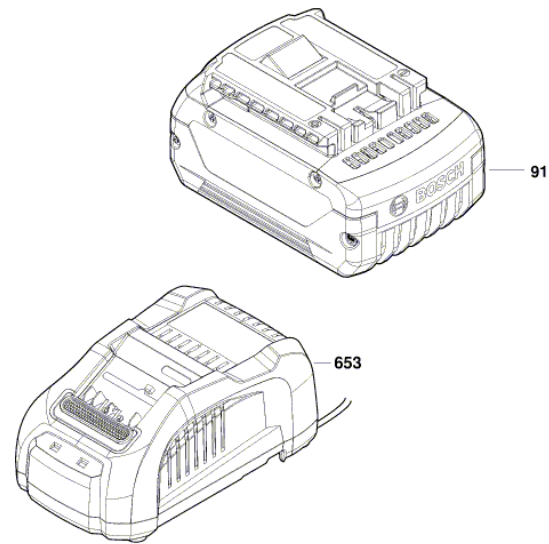


Anzugsmomente  
 Torque values  
 Couple de serrage  
 Pares de apriete  
 Pos. 101 = 1,0 - 1,2 Nm (T10)  
 Pos. 107 = 7,5 - 9,0 Nm (T25)  
 Pos. 25 > 40 Nm

Modifications reserved  
 Änderungen vorbehalten  
 Modifications réservées  
 Salvo modificaciones

Illustration - Type - E

3 601 JH5 000  
Issue | 20-04-28  
Stand | **Fig./Abb. 2**



Modifications reserved  
Änderungen vorbehalten  
Modifications réservées  
Salvo modificaciones

## Spare parts list

Item	Part Number	Description	Illustration
1	1 605 806 5S4	Housing	1
3	1 600 A01 6YW	Stator	1
4	1 607 233 5FX	Electronics Module	1
7	2 609 100 858	Lens	1
9	1 601 11C 36F	Manufacturer's nameplate	1
25	1 600 A02 7W8	Keyless Chuck	1
32	2 609 199 812	Switchover Unit	1
42	1 601 11C 2TS	Sticker	1
45	1 600 A01 60R	Gear Box	1
70	1 609 280 477	Compression Spring	1
101	2 609 110 201	Torx Flat-Head Screw 3x16	1
107	2 603 421 229	Countersunk-Head Screw M6x23 LEFTHAND THREADS	1
652/1	2 609 111 584	Clip	1
652/2	2 609 110 834	Screw	1
802	1 607 000 DM8	Motor Spare Parts Set	1
805	1 607 000 E18	Switch	1
808	1 601 11A 76D	Nameplate GSR 18V-50	1
91	1 607 A35 0M0	Battery Pack GBA 18V 4.0Ah	2
91	1 607 A35 0MA	Battery Pack GBA 18V 2.0Ah	2
91	2 607 337 069	Battery Pack BBS MR, 18V, 5,0 Ah 48 S	2
653	2 607 225 921	Charger EU GAL 1880 CV 230/14,4-18V	2
653	2 607 226 251	Fast Charger EU GAL 18V-40, 230V/10,8V – 18V	2
653	2 607 226 281	Fast Charger EU GAL 18V-20 220V-240V 12V-18V 2A	2